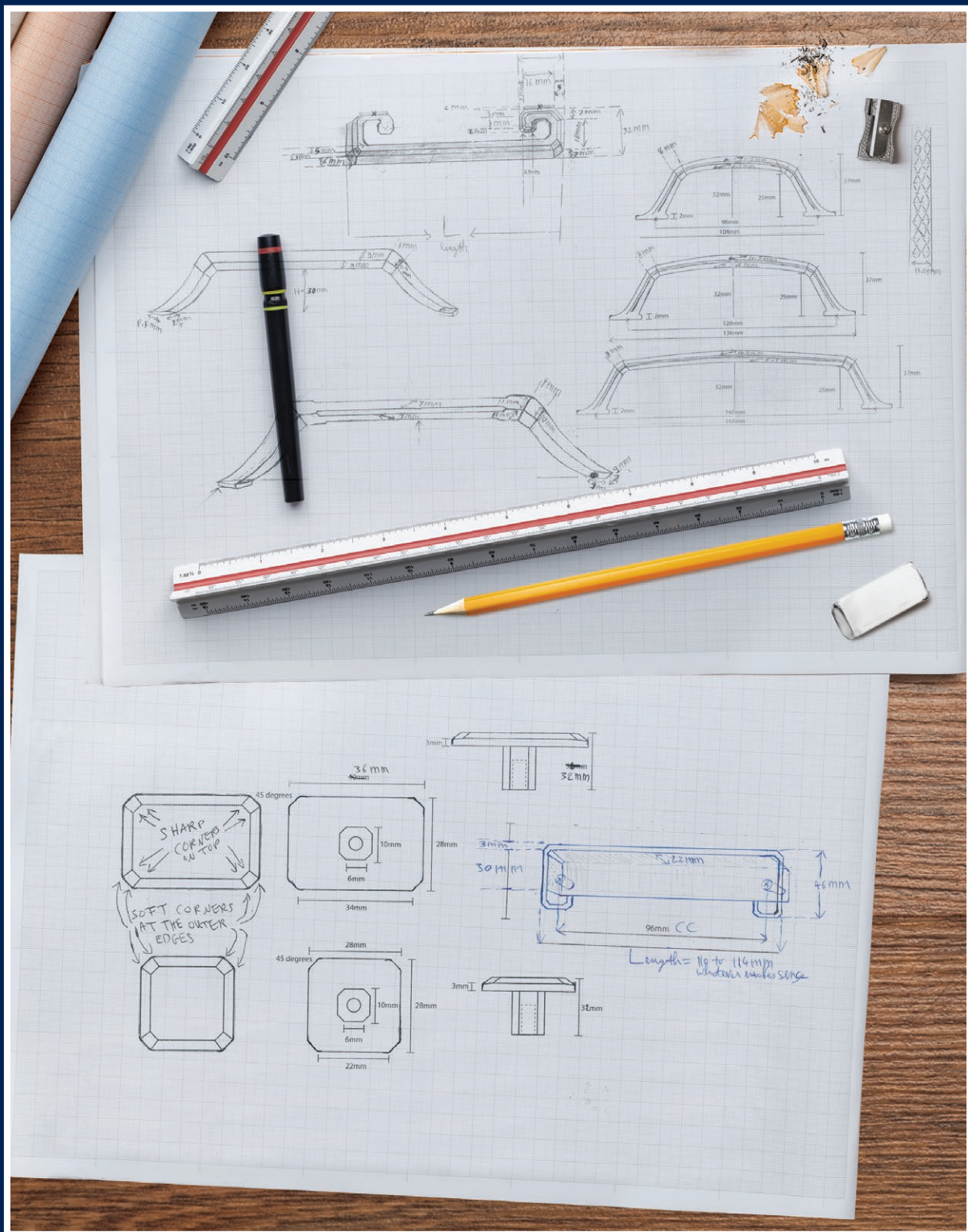




PRIDE INDUSTRIAL LLC



PRODUCT
CATALOGUE
2024



Our inhouse designers are dedicated to crafting and creating Pride Décor's truly unique cabinet hardware for high-end residential & commercial projects as well as the most popular designs for multi-family and single-family living. Our attention to detail starts with each design's inception, our goal is to stun in every final look we create. Discover our designs and feel inspired.



TABLE OF CONTENTS

<i>Knobs & Pulls</i>	1-64
<i>Closet Rods & Fittings</i>	65-67
<i>Decorative Wood</i>	68-87
<i>Slides</i>	88-108
<i>Kitchen Organization</i>	109-111
<i>Institutional Hinges</i>	112
<i>European Hinges & Plates</i>	113-127
<i>L-brackets & Mending Plates</i>	128
<i>Shelf Support, Rta & Catches</i>	129-132
<i>Shutter Hardware</i>	133-135
<i>Leg Hardware</i>	136-137
<i>Grommets</i>	138-139
<i>Levelers, Bump-on, etc</i>	140-143

Magnificent Collections

Patented Designs

Size Extensions Collection

page 7-8



Valencia Collection

page 9-10



Florence Collection

page 11



Monaco Collection

page 12



Magnificent Collections

Patented Designs

Madison Collection

page 13-14



Milan Collection

page 15-16



Manhattan Collection

page 17-18



Colorado Collection

page 19-20



Miami Collection

page 24



St. Louis Collection

page 21



Square Pull Collection

page 25-26



Washington Collection

page 22



Vail Collection

page 27



Charlotte Collection

page 28



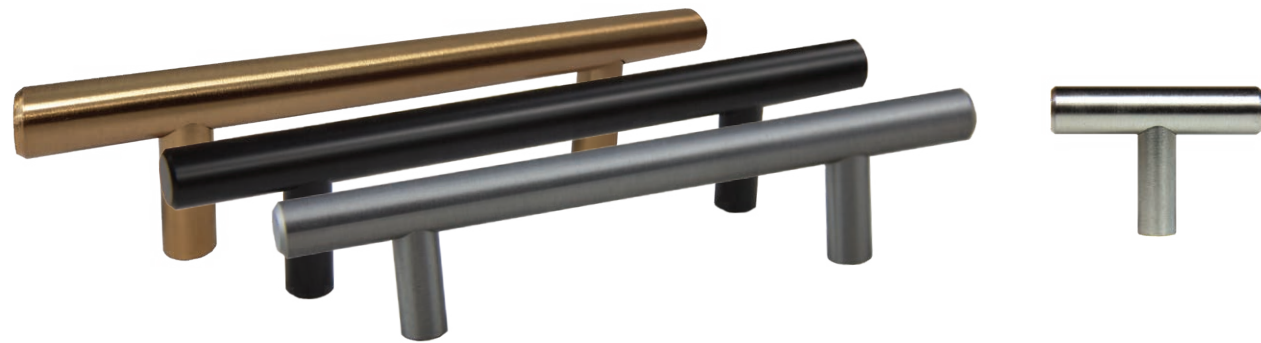
Charleston Collection

page 41



Bar Pull Collection

page 29-35



Cup Pulls Collection

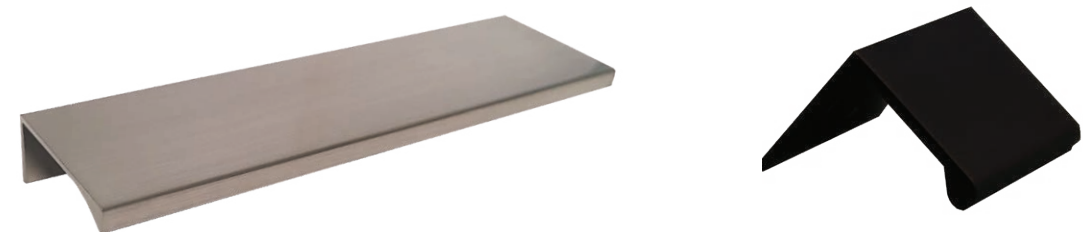
page 42



Large Selection of Modern Handles page 37-39



Large Selection of Tab Pulls page 43-44





Size Extensions Collection



Colorado	Manhattan	Charlotte	Miami
P-A5108 Miami Appliance Pull 8" C/C		P-A51012 Miami Appliance Pull 12" C/C	
CASE QTY 50	WEIGHT/CASE 13.87 lbs	CASE QTY 20	WEIGHT/CASE 21.52 lbs
BOX QTY 5	PROJECTION 27 mm	BOX QTY 5	PROJECTION 43.6 mm
LENGTH 227.2 mm	WIDTH 8.3 mm	LENGTH 348.2 mm	WIDTH 15 mm
Available Colors	Item Number	Available Colors	Item Number
Matte Black	P-A5108.BK	Matte Black	P-A51012.BK
Rose Gold	P-A5108.RG	Rose Gold	P-A51012.RG
Satin Nickel	P-A5108.SN	Satin Nickel	P-A51012.SN
P-A5208 Charlotte Appliance Pull 8" C/C		P-A52012 Charlotte Appliance Pull 12" C/C	
CASE QTY 50	WEIGHT/CASE 18.93 lbs	CASE QTY 20	WEIGHT/CASE 15.71 lbs
BOX QTY 5	PROJECTION 29.5 mm	BOX QTY 5	PROJECTION 39 mm
LENGTH 218.3 mm	WIDTH 19.7 mm	LENGTH 321.9 mm	WIDTH 19.9 mm
Available Colors	Item Number	Available Colors	Item Number
Matte Black	P-A5208.BK	Matte Black	P-A52012.BK
Rose Gold	P-A5208.RG	Rose Gold	P-A52012.RG
Satin Nickel	P-A5208.SN	Satin Nickel	P-A52012.SN
P-A5308 Manhattan Appliance Pull 8" C/C		P-A53012 Manhattan Appliance Pull 12" C/C	
CASE QTY 50	WEIGHT/CASE 19.04 lbs	CASE QTY 20	WEIGHT/CASE 18.88 lbs
BOX QTY 5	PROJECTION 30 mm	BOX QTY 5	PROJECTION 38 mm
LENGTH 230.4 mm	WIDTH 16.3 mm	LENGTH 341.1 mm	WIDTH 21.7 mm
Available Colors	Item Number	Available Colors	Item Number
Matte Black	P-A5308.BK	Matte Black	P-A53012.BK
Rose Gold	P-A5308.RG	Rose Gold	P-A53012.RG
Satin Nickel	P-A5308.SN	Satin Nickel	P-A53012.SN
P-A5408 Colorado Appliance Pull 8" C/C		P-A54012 Colorado Appliance Pull 12" C/C	
CASE QTY 50	WEIGHT/CASE 22.67 lbs	CASE QTY 20	WEIGHT/CASE 20.07 lbs
BOX QTY 5	PROJECTION 32 mm	BOX QTY 5	PROJECTION 40 mm
LENGTH 225.2 mm	WIDTH 16 mm	LENGTH 332.3 mm	WIDTH 20 mm
Available Colors	Item Number	Available Colors	Item Number
Matte Black	P-A5408.BK	Matte Black	P-A54012.BK
Rose Gold	P-A5408.RG	Rose Gold	P-A54012.RG
Satin Nickel	P-A5408.SN	Satin Nickel	P-A54012.SN



Size Extensions Collection



BIG THINGS COMING 
18"
Appliance Pulls
Available July 2024
 Colorado - Manhattan
 Vail - Miami
 Square Pull

Milan	Monaco	Modern	Vail
P-A5508 Vail Appliance Pull 8" C/C		P-A55012 Vail Appliance Pull 12" C/C	
CASE QTY 50	WEIGHT/CASE 13.87 lbs	CASE QTY 20	WEIGHT/CASE 32.26 lbs
BOX QTY 5	PROJECTION 37.5 mm	BOX QTY 5	PROJECTION 59.1 mm
LENGTH 224.8 mm	WIDTH 19.1 mm	LENGTH 336.6 mm	WIDTH 19.1 mm
Available Colors	Item Number	Available Colors	Item Number
Matte Black	P-A5508.BK	Matte Black	P-A55012.BK
Rose Gold	P-A5508.RG	Rose Gold	P-A55012.RG
Satin Nickel	P-A5508.SN	Satin Nickel	P-A55012.SN
P-A5608 Modern Square Appliance Pull 8" C/C		P-A56012 Modern Square Appliance Pull 12" C/C	
CASE QTY 50	WEIGHT/CASE 18.93 lbs	CASE QTY 10	WEIGHT/CASE 20.38 lbs
BOX QTY 5	PROJECTION 35 mm	BOX QTY 5	PROJECTION 58.5 mm
LENGTH 213.2 mm	WIDTH 10.4 mm	LENGTH 323.8 mm	WIDTH 19 mm
Available Colors	Item Number	Available Colors	Item Number
Matte Black	P-A5608.BK	Matte Black	P-A56012.BK
Rose Gold	P-A5608.RG	Rose Gold	P-A56012.RG
Satin Nickel	P-A5608.SN	Satin Nickel	P-A56012.SN
P-A5708 Monaco Appliance Pull 8" C/C		P-A57012 Monaco Appliance Pull 12" C/C	
CASE QTY 40	WEIGHT/CASE 33.54 lbs	CASE QTY 20	WEIGHT/CASE 21.65 lbs
BOX QTY 5	PROJECTION 29.6 mm	BOX QTY 5	PROJECTION 41.2 mm
LENGTH 264.4 mm	WIDTH 44 mm	LENGTH 366 mm	WIDTH 44 mm
Available Colors	Item Number	Available Colors	Item Number
Matte Black	P-A5708.BK	Matte Black	P-A57012.BK
Rose Gold	P-A5708.RG	Rose Gold	P-A57012.RG
Satin Nickel	P-A5708.SN	Satin Nickel	P-A57012.SN
P-A5808 Milan Appliance Pull 8" C/C		P-A58012 Milan Appliance Pull 12" C/C	
CASE QTY 50	WEIGHT/CASE 16.51 lbs	CASE QTY 40	WEIGHT/CASE 30.02 lbs
BOX QTY 5	PROJECTION 40.5 mm	BOX QTY 5	PROJECTION 43 mm
LENGTH 228.2 mm	WIDTH 10 mm	LENGTH 331.8 mm	WIDTH 14.4 mm
Available Colors	Item Number	Available Colors	Item Number
Matte Black	P-A5808.BK	Matte Black	P-A58012.BK
Rose Gold	P-A5808.RG	Rose Gold	P-A58012.RG
Satin Nickel	P-A5808.SN	Satin Nickel	P-A58012.SN



Valencia Collection

Pending Patent



BIG THINGS COMING 

8" 12" 18"
Size Extensions
Available July 2024

K-95003

Valencia Knob 38mm

CASE QTY	200	WEIGHT/CASE	28.4 lbs
BOX QTY	20	PROJECTION	32mm
LENGTH	25mm	WIDTH	25mm

Available Colors

Oil Rubbed Bronze
Matte Black
Dark Pewter
Polished Chrome
Rose Gold
Satin Nickel

Item Number

K-95003.10B
K-95003.BK
K-95003.DP
K-95003.PC
K-95003.RG
K-95003.SN

P-97096

Valencia Pull 96mm C/C

CASE QTY	100	WEIGHT/CASE	27.4 lbs
BOX QTY	10	PROJECTION	32mm
LENGTH	117mm	WIDTH	21mm

Available Colors

Oil Rubbed Bronze
Matte Black
Dark Pewter
Polished Chrome
Rose Gold
Satin Nickel

Item Number

P-97096.10B
P-97096.BK
P-97096.DP
P-97096.PC
P-97096.RG
P-97096.SN

P-97128

Valencia Pull 128mm C/C

CASE QTY	60	WEIGHT/CASE	23.64 lbs
BOX QTY	10	PROJECTION	35mm
LENGTH	151mm	WIDTH	23mm

Available Colors

Oil Rubbed Bronze
Matte Black
Dark Pewter
Polished Chrome
Rose Gold
Satin Nickel

Item Number

P-97128.10B
P-97128.BK
P-97128.DP
P-97128.PC
P-97128.RG
P-97128.SN

P-97160

Valencia Pull 160mm C/C

CASE QTY	60	WEIGHT/CASE	27.78 lbs
BOX QTY	10	PROJECTION	35mm
LENGTH	183mm	WIDTH	23mm

Available Colors

Oil Rubbed Bronze
Matte Black
Dark Pewter
Polished Chrome
Rose Gold
Satin Nickel

Item Number

P-97160.10B
P-97160.BK
P-97160.DP
P-97160.PC
P-97160.RG
P-97160.SN



Florence Collection

Patented Design



K-93002

Florence Knob 39.5mm

CASE QTY	100	WEIGHT/CASE	27 lbs
BOX QTY	10	PROJECTION	32.5mm
LENGTH	39.5mm	WIDTH	39.5mm

Available Colors	Item Number
Oil Rubbed Bronze	K-93002.10B
Matte Black	K-93002.BK
Dark Pewter	K-93002.DP
Polished Chrome	K-93002.PC
Rose Gold	K-93002.RG
Satin Nickel	K-93002.SN

P-95128

Florence Pull 128mm C/C

CASE QTY	100	WEIGHT/CASE	52 lbs
BOX QTY	25	PROJECTION	46mm
LENGTH	167mm	WIDTH	11mm

Available Colors	Item Number
Oil Rubbed Bronze	P-95128.10B
Matte Black	P-95128.BK
Dark Pewter	P-95128.DP
Polished Chrome	P-95128.PC
Rose Gold	P-95128.RG
Satin Nickel	P-95128.SN

P-95096

Florence Pull 96mm C/C

CASE QTY	100	WEIGHT/CASE	46 lbs
BOX QTY	10	PROJECTION	46mm
LENGTH	135mm	WIDTH	11mm

Available Colors	Item Number
Oil Rubbed Bronze	P-95096.10B
Matte Black	P-95096.BK
Dark Pewter	P-95096.DP
Polished Chrome	P-95096.PC
Rose Gold	P-95096.RG
Satin Nickel	P-95096.SN

P-95160

Florence Pull 160mm C/C

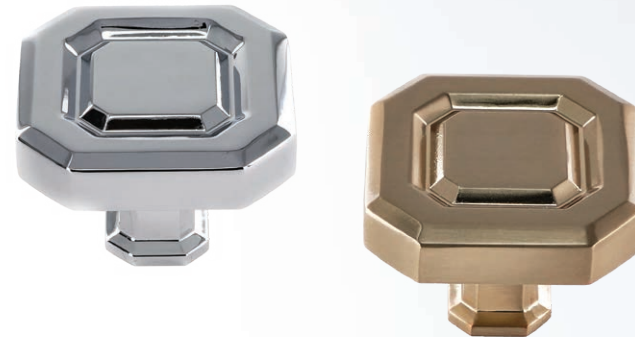
CASE QTY	50	WEIGHT/CASE	31 lbs
BOX QTY	10	PROJECTION	46mm
LENGTH	200mm	WIDTH	11mm

Available Colors	Item Number
Oil Rubbed Bronze	P-95160.10B
Matte Black	P-95160.BK
Dark Pewter	P-95160.DP
Polished Chrome	P-95160.PC
Rose Gold	P-95160.RG
Satin Nickel	P-95160.SN



Monaco Collection

Patented Design



K-93122

Monaco Knob 45mm

CASE QTY	100	WEIGHT/CASE	35 lbs
BOX QTY	10	PROJECTION	33mm
LENGTH	45mm	WIDTH	45mm

Available Colors	Item Number
Oil Rubbed Bronze	K-93122.10B
Matte Black	K-93122.BK
Dark Pewter	K-93122.DP
Polished Chrome	K-93122.PC
Rose Gold	K-93122.RG
Satin Nickel	K-93122.SN

P-96096

Monaco Pull 96mm C/C

CASE QTY	100	WEIGHT/CASE	56 lbs
BOX QTY	25	PROJECTION	30mm
LENGTH	157mm	WIDTH	11mm

Available Colors	Item Number
Oil Rubbed Bronze	P-96096.10B
Matte Black	P-96096.BK
Dark Pewter	P-96096.DP
Polished Chrome	P-96096.PC
Rose Gold	P-96096.RG
Satin Nickel	P-96096.SN



P-96128

Monaco Pull 128mm C/C

CASE QTY	50	WEIGHT/CASE	33 lbs
BOX QTY	10	PROJECTION	30mm
LENGTH	189mm	WIDTH	11mm

Available Colors	Item Number
Oil Rubbed Bronze	P-96128.10B
Matte Black	P-96128.BK
Dark Pewter	P-96128.DP
Polished Chrome	P-96128.PC
Rose Gold	P-96128.RG
Satin Nickel	P-96128.SN

P-96160

Monaco Pull 160mm C/C

CASE QTY	50	WEIGHT/CASE	36 lbs
BOX QTY	10	PROJECTION	30mm
LENGTH	221mm	WIDTH	11mm

Available Colors	Item Number
Oil Rubbed Bronze	P-96160.10B
Matte Black	P-96160.BK
Dark Pewter	P-96160.DP
Polished Chrome	P-96160.PC
Rose Gold	P-96160.RG
Satin Nickel	P-96160.SN



K-92230
28mm Square Knob
CASE QTY 250 **WEIGHT/CASE** 23 lbs
BOX QTY 25 **PROJECTION** 26mm
LENGTH 28mm **WIDTH** 28mm

Available Colors	Item Number
Oil Rubbed Bronze	K-92230.10B
Matte Black	K-92230.BK
Dark Pewter	K-92230.DP
Polished Chrome	K-92230.PC
Rose Gold	K-92230.RG
Satin Nickel	K-92230.SN

K-92430
36x28 Rectangular Knob
CASE QTY 250 **WEIGHT/CASE** 25 lbs
BOX QTY 25 **PROJECTION** 26mm
LENGTH 36mm **WIDTH** 28mm

Available Colors	Item Number
Oil Rubbed Bronze	K-92430.10B
Matte Black	K-92430.BK
Dark Pewter	K-92430.DP
Polished Chrome	K-92430.PC
Rose Gold	K-92430.RG
Satin Nickel	K-92430.SN



P-93096 ✓
Madison Pull 96mm C/C
CASE QTY 250 **WEIGHT/CASE** 45 lbs
BOX QTY 25 **PROJECTION** 39mm
LENGTH 122mm **WIDTH** 13mm

Available Colors	Item Number
Oil Rubbed Bronze	P-93096.10B
Matte Black	P-93096.BK
Dark Pewter	P-93096.DP
Polished Chrome	P-93096.PC
Rose Gold	P-93096.RG
Satin Nickel	P-93096.SN

P-93128 ✓
Madison Pull 128mm C/C
CASE QTY 250 **WEIGHT/CASE** 52 lbs
BOX QTY 25 **PROJECTION** 39mm
LENGTH 154mm **WIDTH** 13mm

Available Colors	Item Number
Oil Rubbed Bronze	P-93128.10B
Matte Black	P-93128.BK
Dark Pewter	P-93128.DP
Polished Chrome	P-93128.PC
Rose Gold	P-93128.RG
Satin Nickel	P-93128.SN

P-93160 ✓
Madison Pull 160mm C/C
CASE QTY 200 **WEIGHT/CASE** 48 lbs
BOX QTY 20 **PROJECTION** 39mm
LENGTH 186mm **WIDTH** 13mm

Available Colors	Item Number
Oil Rubbed Bronze	P-93160.10B
Matte Black	P-93160.BK
Dark Pewter	P-93160.DP
Polished Chrome	P-93160.PC
Rose Gold	P-93160.RG
Satin Nickel	P-93160.SN

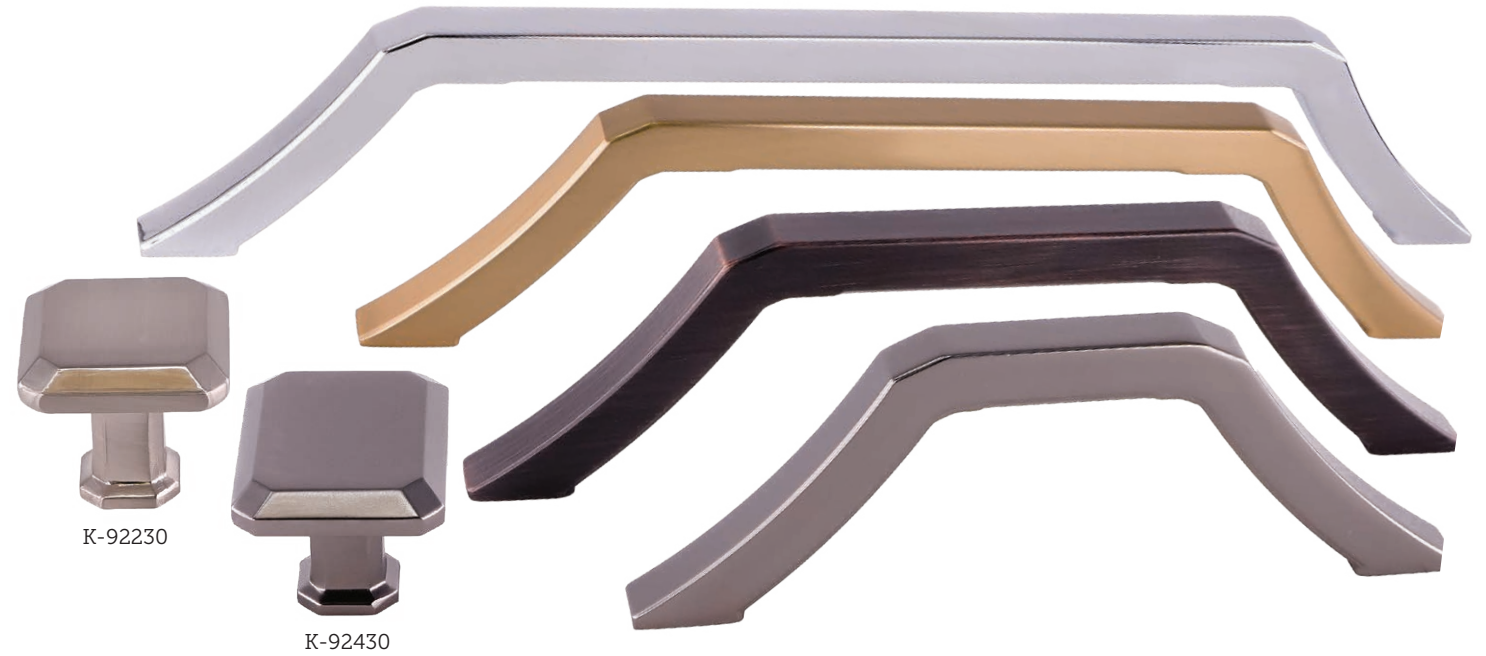


K-92230
28mm Square Knob
CASE QTY 250 **WEIGHT/CASE** 23 lbs
BOX QTY 25 **PROJECTION** 26mm
LENGTH 28mm **WIDTH** 28mm

Available Colors	Item Number
Oil Rubbed Bronze	K-92230.10B
Matte Black	K-92230.BK
Dark Pewter	K-92230.DP
Polished Chrome	K-92230.PC
Rose Gold	K-92230.RG
Satin Nickel	K-92230.SN

K-92430
36x28 Rectangular Knob
CASE QTY 250 **WEIGHT/CASE** 25 lbs
BOX QTY 25 **PROJECTION** 26mm
LENGTH 36mm **WIDTH** 28mm

Available Colors	Item Number
Oil Rubbed Bronze	K-92430.10B
Matte Black	K-92430.BK
Dark Pewter	K-92430.DP
Polished Chrome	K-92430.PC
Rose Gold	K-92430.RG
Satin Nickel	K-92430.SN



P-94096 ✓
Milan Pull 96mm C/C
CASE QTY 200 **WEIGHT/CASE** 37 lbs
BOX QTY 20 **PROJECTION** 39mm
LENGTH 121mm **WIDTH** 10mm

Available Colors	Item Number
Oil Rubbed Bronze	P-94096.10B
Matte Black	P-94096.BK
Dark Pewter	P-94096.DP
Polished Chrome	P-94096.PC
Rose Gold	P-94096.RG
Satin Nickel	P-94096.SN

P-94160 ✓
Milan Pull 160mm C/C
CASE QTY 200 **WEIGHT/CASE** 51 lbs
BOX QTY 20 **PROJECTION** 39mm
LENGTH 185mm **WIDTH** 10mm

Available Colors	Item Number
Oil Rubbed Bronze	P-94160.10B
Matte Black	P-94160.BK
Dark Pewter	P-94160.DP
Polished Chrome	P-94160.PC
Rose Gold	P-94160.RG
Satin Nickel	P-94160.SN

P-94128 ✓
Milan Pull 128mm C/C
CASE QTY 200 **WEIGHT/CASE** 43 lbs
BOX QTY 20 **PROJECTION** 39mm
LENGTH 153mm **WIDTH** 10mm

Available Colors	Item Number
Oil Rubbed Bronze	P-94128.10B
Matte Black	P-94128.BK
Dark Pewter	P-94128.DP
Polished Chrome	P-94128.PC
Rose Gold	P-94128.RG
Satin Nickel	P-94128.SN

P-94210 ✓
Milan Pull 210mm C/C
CASE QTY 100 **WEIGHT/CASE** 32 lbs
BOX QTY 25 **PROJECTION** 39mm
LENGTH 234.5mm **WIDTH** 10mm

Available Colors	Item Number
Oil Rubbed Bronze	P-94210.10B
Matte Black	P-94210.BK
Dark Pewter	P-94210.DP
Polished Chrome	P-94210.PC
Rose Gold	P-94210.RG
Satin Nickel	P-94210.SN



K-1218

32mm Round Flat Top

CASE QTY	250	WEIGHT/CASE	44 lbs
BOX QTY	25	PROJECTION	30mm
DIAMETER	32mm		

Available Colors	Item Number
Oil Rubbed Bronze	K-1218.10B
Matte Black	K-1218.BK
Dark Pewter	K-1218.DP
Polished Chrome	K-1218.PC
Rose Gold	K-1218.RG
Satin Nickel	K-1218.SN

P-92926

Manhattan Pull 96mm C/C

CASE QTY	150	WEIGHT/CASE	39.33 lbs
BOX QTY	15	PROJECTION	28mm
LENGTH	123mm	WIDTH	16mm

Available Colors	Item Number
Oil Rubbed Bronze	P-92926.10B
Matte Black	P-92926.BK
Dark Pewter	P-92926.DP
Polished Chrome	P-92926.PC
Rose Gold	P-92926.RG
Satin Nickel	P-92926.SN

P-92927

Manhattan Pull 128mm C/C

CASE QTY	100	WEIGHT/CASE	30.38 lbs
BOX QTY	10	PROJECTION	28mm
LENGTH	155mm	WIDTH	16mm

Available Colors	Item Number
Oil Rubbed Bronze	P-92927.10B
Matte Black	P-92927.BK
Dark Pewter	P-92927.DP
Polished Chrome	P-92927.PC
Rose Gold	P-92927.RG
Satin Nickel	P-92927.SN

P-92928

Manhattan Pull 160mm C/C

CASE QTY	100	WEIGHT/CASE	33 lbs
BOX QTY	10	PROJECTION	28mm
LENGTH	187mm	WIDTH	16mm

Available Colors	Item Number
Oil Rubbed Bronze	P-92928.10B
Matte Black	P-92928.BK
Dark Pewter	P-92928.DP
Polished Chrome	P-92928.PC
Rose Gold	P-92928.RG
Satin Nickel	P-92928.SN



K-92925
32mm Dia Colorado Round Knob

CASE QTY	250	WEIGHT/CASE	44.88 lbs
BOX QTY	25	PROJECTION	29.5mm
DIAMETER	32mm		

Available Colors	Item Number
Oil Rubbed Bronze	K-92925.10B
Matte Black	K-92925.BK
Dark Pewter	K-92925.DP
Polished Chrome	K-92925.PC
Rose Gold	K-92925.RG
Satin Nickel	K-92925.SN

K-94723
29.8mm Colorado Square Knob

CASE QTY	200	WEIGHT/CASE	39 lbs
BOX QTY	20	PROJECTION	30mm
LENGTH	29.8mm	WIDTH	29.8mm

Available Colors	Item Number
Oil Rubbed Bronze	K-94723.10B
Matte Black	K-94723.BK
Dark Pewter	K-94723.DP
Polished Chrome	K-94723.PC
Rose Gold	K-94723.RG
Satin Nickel	K-94723.SN

K-94727
37mm Colorado Square Oversized Knob

CASE QTY	100	WEIGHT/CASE	27 lbs
BOX QTY	10	PROJECTION	30mm
LENGTH	37mm	WIDTH	37mm

Available Colors	Item Number
Oil Rubbed Bronze	K-94727.10B
Matte Black	K-94727.BK
Dark Pewter	K-94727.DP
Polished Chrome	K-94727.PC
Rose Gold	K-94727.RG
Satin Nickel	K-94727.SN

P-92837
Colorado Pull 128mm C/C

CASE QTY	100	WEIGHT/CASE	35.15 lbs
BOX QTY	10	PROJECTION	30mm
LENGTH	150mm	WIDTH	16mm

Available Colors	Item Number
Oil Rubbed Bronze	P-92837.10B
Matte Black	P-92837.BK
Dark Pewter	P-92837.DP
Polished Chrome	P-92837.PC
Rose Gold	P-92837.RG
Satin Nickel	P-92837.SN

P-92836
Colorado Pull 96mm C/C

CASE QTY	150	WEIGHT/CASE	44.66 lbs
BOX QTY	15	PROJECTION	30mm
LENGTH	118mm	WIDTH	16mm

Available Colors	Item Number
Oil Rubbed Bronze	P-92836.10B
Matte Black	P-92836.BK
Dark Pewter	P-92836.DP
Polished Chrome	P-92836.PC
Rose Gold	P-92836.RG
Satin Nickel	P-92836.SN

P-92838
Colorado Pull 160mm C/C

CASE QTY	100	WEIGHT/CASE	40.55 lbs
BOX QTY	10	PROJECTION	30mm
LENGTH	182mm	WIDTH	16mm

Available Colors	Item Number
Oil Rubbed Bronze	P-92838.10B
Matte Black	P-92838.BK
Dark Pewter	P-92838.DP
Polished Chrome	P-92838.PC
Rose Gold	P-92838.RG
Satin Nickel	P-92838.SN



K-91090



K-81361

K-91090

Knob 33.6x25mm

CASE QTY	250	WEIGHT/CASE	54 lbs
BOX QTY	25	PROJECTION	29mm
LENGTH	33.6mm	WIDTH	33.6mm

Available Colors	Item Number
Oil Rubbed Bronze	K-91090.10B
Rose Gold	K-91090.RG
Satin Nickel	K-91090.SN

K-81361

Mushroom Knob 31mm

CASE QTY	250	WEIGHT/CASE	22 lbs
BOX QTY	25	PROJECTION	28mm
DIAMETER	31mm		

Available Colors	Item Number
Oil Rubbed Bronze	K-81361.10B
Matte Black	K-81361.BK
Polished Chrome	K-81361.PC
Rose Gold	K-81361.RG
Satin Nickel	K-81361.SN

P-91496

St. Louis Arch Pull 96mm C/C

CASE QTY	250	WEIGHT/CASE	51 lbs
BOX QTY	25	PROJECTION	26mm
LENGTH	133mm	WIDTH	23mm

Available Colors	Item Number
Oil Rubbed Bronze	P-91496.10B
Satin Nickel	P-91496.SN

P-91497

St. Louis Arch Pull 128mm C/C

CASE QTY	100	WEIGHT/CASE	25 lbs
BOX QTY	25	PROJECTION	26mm
LENGTH	165mm	WIDTH	25mm

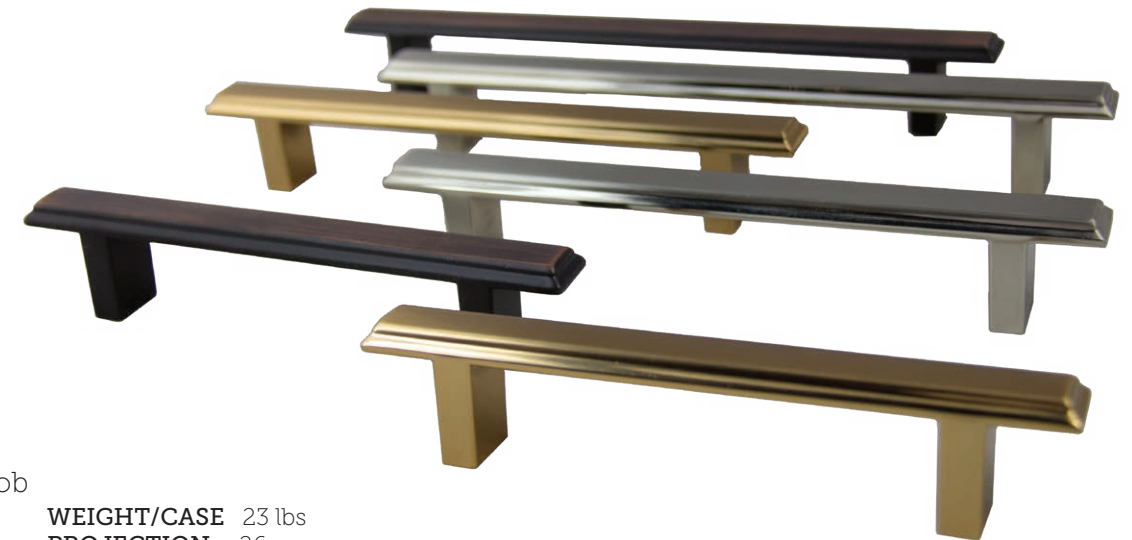
Available Colors	Item Number
Oil Rubbed Bronze	P-91497.10B
Satin Nickel	P-91497.SN

P-91498

St. Louis Arch Pull 160mm C/C 195mm OL

CASE QTY	100	WEIGHT/CASE	29 lbs
BOX QTY	25	PROJECTION	26mm
LENGTH	195mm	WIDTH	26mm

Available Colors	Item Number
Oil Rubbed Bronze	P-91498.10B
Satin Nickel	P-91498.SN



K-92430



K-92230

K-92230

28mm Square Knob

CASE QTY	250	WEIGHT/CASE	23 lbs
BOX QTY	25	PROJECTION	26mm
LENGTH	28mm	WIDTH	28mm

Available Colors	Item Number
Oil Rubbed Bronze	K-92230.10B
Matte Black	K-92230.BK
Dark Pewter	K-92230.DP
Polished Chrome	K-92230.PC
Rose Gold	K-92230.RG
Satin Nickel	K-92230.SN

K-92430

36x28 Rectangular Knob

CASE QTY	250	WEIGHT/CASE	25 lbs
BOX QTY	25	PROJECTION	26mm
LENGTH	36mm	WIDTH	28mm

Available Colors	Item Number
Oil Rubbed Bronze	K-92430.10B
Matte Black	K-92430.BK
Dark Pewter	K-92430.DP
Polished Chrome	K-92430.PC
Rose Gold	K-92430.RG
Satin Nickel	K-92430.SN

P-91296

Washington Pull 96mm C/C 136mm OL

CASE QTY	250	WEIGHT/CASE	59 lbs
BOX QTY	20	PROJECTION	28mm
LENGTH	136mm	WIDTH	16mm

Available Colors	Item Number
Oil Rubbed Bronze	P-91296.10B
Rose Gold	P-91296.RG
Satin Nickel	P-91296.SN

P-91297

Washington Pull 128mm C/C 168mm OL

CASE QTY	100	WEIGHT/CASE	30.5 lbs
BOX QTY	25	PROJECTION	28mm
LENGTH	168mm	WIDTH	16mm

Available Colors	Item Number
Oil Rubbed Bronze	P-91297.10B
Rose Gold	P-91297.RG
Satin Nickel	P-91297.SN

P-91298

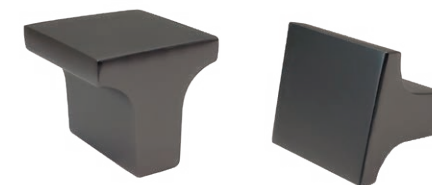
Washington Pull 160mm C/C 200mm OL

CASE QTY	100	WEIGHT/CASE	33 lbs
BOX QTY	25	PROJECTION	28mm
LENGTH	200mm	WIDTH	16mm

Available Colors	Item Number
Oil Rubbed Bronze	P-91298.10B
Rose Gold	P-91298.RG
Satin Nickel	P-91298.SN



Miami Collection



K-83125

1" Square Knob
CASE QTY 250
BOX QTY 25
LENGTH 1"

WEIGHT/CASE 31 lbs
PROJECTION 23mm
WIDTH 1"

Available Colors
 Oil Rubbed Bronze
 Matte Black
 Dark Pewter
 Polished Chrome
 Rose Gold
 Satin Nickel

Item Number
 K-83125.10B
 K-83125.BK
 K-83125.DP
 K-83125.PC
 K-83125.RG
 K-83125.SN

P-81572

Miami Pull 128mm C/C

CASE QTY 250
BOX QTY 25
LENGTH 149mm

WEIGHT/CASE 56 lbs
PROJECTION 27mm
WIDTH 8.5mm

Available Colors
 Matte Black
 Dark Pewter
 Polished Chrome
 Rose Gold
 Satin Nickel

Item Number
 P-81572.BK
 P-81572.DP
 P-81572.PC
 P-81572.RG
 P-81572.SN

P-80572

Miami Pull 96mm C/C

CASE QTY 250
BOX QTY 25
LENGTH 120mm

WEIGHT/CASE 51.43 lbs
PROJECTION 27mm
WIDTH 8.2mm

Available Colors
 Oil Rubbed Bronze
 Matte Black
 Dark Pewter
 Polished Chrome
 Rose Gold
 Satin Nickel

Item Number
 P-80572.10B
 P-80572.BK
 P-80572.DP
 P-80572.PC
 P-80572.RG
 P-80572.SN

P-83572

Miami Pull 160mm C/C

CASE QTY 100
BOX QTY 25
LENGTH 190mm

WEIGHT/CASE 26 lbs
PROJECTION 27mm
WIDTH 9mm

Available Colors
 Matte Black
 Dark Pewter
 Polished Chrome
 Rose Gold
 Satin Nickel

Item Number
 P-83572.BK
 P-83572.DP
 P-83572.PC
 P-83572.RG
 P-83572.SN



ADA 
FRIENDLY

P-87226 ✓
Square Pull 96mm C/C
CASE QTY 250 **WEIGHT/CASE** 60.5 lbs
BOX QTY 25 **PROJECTION** 35mm
LENGTH 105.8mm **WIDTH** 9.8mm

Available Colors	Item Number
Oil Rubbed Bronze	P-87226.10B
Matte Black	P-87226.BK
Dark Pewter	P-87226.DP
Polished Chrome	P-87226.PC
Rose Gold	P-87226.RG
Satin Nickel	P-87226.SN

P-87227 ✓
Square Pull 128mm C/C
CASE QTY 200 **WEIGHT/CASE** 51 lbs
BOX QTY 20 **PROJECTION** 35mm
LENGTH 137mm **WIDTH** 9.8mm

Available Colors	Item Number
Oil Rubbed Bronze	P-87227.10B
Matte Black	P-87227.BK
Dark Pewter	P-87227.DP
Polished Chrome	P-87227.PC
Rose Gold	P-87227.RG
Polished Brass	P-87227.PB
Satin Brass	P-87227.SB
Satin Nickel	P-87227.SN



P-87228 ✓
Square Pull 160mm C/C
CASE QTY 100 **WEIGHT/CASE** 32 lbs
BOX QTY 25 **PROJECTION** 35mm
LENGTH 169.5mm **WIDTH** 9.8mm

Available Colors	Item Number
Oil Rubbed Bronze	P-87228.10B
Matte Black	P-87228.BK
Dark Pewter	P-87228.DP
Polished Chrome	P-87228.PC
Rose Gold	P-87228.RG
Satin Nickel	P-87228.SN

P-87300 ✓
Square Pull 224mm C/C
CASE QTY 50 **WEIGHT/CASE** 20 lbs
BOX QTY 10 **PROJECTION** 35mm
LENGTH 232.8mm **WIDTH** 9.8mm

Available Colors	Item Number
Oil Rubbed Bronze	P-87300.10B
Matte Black	P-87300.BK
Satin Nickel	P-87300.SN

P-87229 ✓
Square Pull 192mm C/C
CASE QTY 100 **WEIGHT/CASE** 37 lbs
BOX QTY 25 **PROJECTION** 35mm
LENGTH 201.5mm **WIDTH** 9.8mm

Available Colors	Item Number
Oil Rubbed Bronze	P-87229.10B
Matte Black	P-87229.BK
Dark Pewter	P-87229.DP
Polished Chrome	P-87229.PC
Rose Gold	P-87229.RG
Satin Nickel	P-87229.SN

P-87140.SN ✓
Bar Pull 280mm C/C Satin Nickel
CASE QTY 100 **WEIGHT/CASE** 42 lbs
BOX QTY 25 **PROJECTION** 28mm
LENGTH 289mm **WIDTH** 9.8mm

P-87328.SN ✓
Square Pull 320mm C/C Satin Nickel
CASE QTY 100 **WEIGHT/CASE** 43 lbs
BOX QTY 10 **PROJECTION** 28mm
LENGTH 329.5mm **WIDTH** 9.8mm



P-90196.SN ✓
Square Pull Round Base 96mm C/C Satin Nickel
CASE QTY 200 **WEIGHT/CASE** 18 lbs
BOX QTY 20 **PROJECTION** 30mm
LENGTH 152.4mm **WIDTH** 9.5mm



K-1218

32mm Round Flat Top

CASE QTY	250	WEIGHT/CASE	44 lbs
BOX QTY	25	PROJECTION	30mm
DIAMETER	32mm		

Available Colors	Item Number
Oil Rubbed Bronze	K-1218.10B
Matte Black	K-1218.BK
Dark Pewter	K-1218.DP
Polished Chrome	K-1218.PC
Rose Gold	K-1218.RG
Satin Nickel	K-1218.SN

P-86373 ✓

Vail Pull 96mm C/C

CASE QTY	250	WEIGHT/CASE	46 lbs
BOX QTY	25	PROJECTION	30mm
LENGTH	115mm	WIDTH	12mm

Available Colors	Item Number
Oil Rubbed Bronze	P-86373.10B
Matte Black	P-86373.BK
Dark Pewter	P-86373.DP
Polished Chrome	P-86373.PC
Rose Gold	P-86373.RG
Satin Nickel	P-86373.SN

P-86374 ✓

Vail Pull 128mm C/C

CASE QTY	250	WEIGHT/CASE	59 lbs
BOX QTY	25	PROJECTION	30mm
LENGTH	149mm	WIDTH	12mm

Available Colors	Item Number
Oil Rubbed Bronze	P-86374.10B
Matte Black	P-86374.BK
Dark Pewter	P-86374.DP
Polished Chrome	P-86374.PC
Rose Gold	P-86374.RG
Satin Nickel	P-86374.SN

P-86375 ✓

Vail Pull 160mm C/C

CASE QTY	100	WEIGHT/CASE	32.3 lbs
BOX QTY	10	PROJECTION	30mm
LENGTH	180mm	WIDTH	12mm

Available Colors	Item Number
Oil Rubbed Bronze	P-86375.10B
Matte Black	P-86375.BK
Dark Pewter	P-86375.DP
Polished Chrome	P-86375.PC
Rose Gold	P-86375.RG
Satin Nickel	P-86375.SN



K-81091

32mm Square Knob

CASE QTY	250	WEIGHT/CASE	38 lbs
BOX QTY	25	PROJECTION	26mm
LENGTH	32mm	WIDTH	32mm

Available Colors	Item Number
Oil Rubbed Bronze	K-81091.10B
Antique Satin Brass	K-81091.ABSB
Satin Pewter	K-81091.APH
Matte Black	K-81091.BK
Weathered Black	K-81091.DACM
Polished Chrome	K-81091.PC
Rose Gold	K-81091.RG
Satin Nickel	K-81091.SN

P-81092 ✓

Charlotte Deco Pull 96mm C/C

CASE QTY	250	WEIGHT/CASE	46.9 lbs
BOX QTY	25	PROJECTION	28mm
LENGTH	118mm	WIDTH	16mm

Available Colors	Item Number
Oil Rubbed Bronze	P-81092.10B
Antique Satin Brass	P-81092.ABSB
Satin Pewter	P-81092.APH
Matte Black	P-81092.BK
Weathered Black	P-81092.DACM
Polished Chrome	P-81092.PC
Rose Gold	P-81092.RG
Satin Nickel	P-81092.SN

P-82092 ✓

Charlotte Deco Pull 128mm C/C

CASE QTY	250	WEIGHT/CASE	52.53 lbs
BOX QTY	25	PROJECTION	28mm
LENGTH	142mm	WIDTH	16mm

Available Colors	Item Number
Oil Rubbed Bronze	P-82092.10B
Matte Black	P-82092.BK
Polished Chrome	P-82092.PC
Rose Gold	P-82092.RG
Satin Nickel	P-82092.SN

P-83092 ✓

Charlotte Deco Pull 160mm C/C

CASE QTY	200	WEIGHT/CASE	55 lbs
BOX QTY	20	PROJECTION	28mm
LENGTH	172mm	WIDTH	16mm

Available Colors	Item Number
Oil Rubbed Bronze	P-83092.10B
Matte Black	P-83092.BK
Polished Chrome	P-83092.PC
Rose Gold	P-83092.RG
Satin Nickel	P-83092.SN



K-102

Bar Pull Knob 2" OL x 12mm Dia.

CASE QTY	250	WEIGHT/CASE	36 lbs
BOX QTY	25	PROJECTION	35mm
LENGTH	2"	WIDTH	12mm

Available Colors	Item Number
Oil Rubbed Bronze	K-102.10B
Matte Black	K-102.BK
Polished Chrome	K-102.PC
Rose Gold	K-102.RG
Satin Nickel	K-102.SN

P-104

Bar Pull 115mm OL x 64mm C/C x 12mm Dia.

CASE QTY	100	WEIGHT/CASE	29.70 lbs
BOX QTY	25	PROJECTION	35mm
LENGTH	4"	WIDTH	12mm

Available Colors	Item Number
Matte Black	P-104.BK
Polished Chrome	P-104.PC
Rose Gold	P-104.RG
Satin Nickel	P-104.SN

P-106

Bar Pull 6" OL x 3" C/C x 12mm Dia.

CASE QTY	100	WEIGHT/CASE	36 lbs
BOX QTY	10	PROJECTION	35mm
LENGTH	6"	WIDTH	12mm

Available Colors	Item Number
Oil Rubbed Bronze	P-106.10B
Matte Black	P-106.BK
Dark Pewter	P-106.DP
Polished Chrome	P-106.PC
Rose Gold	P-106.RG
Satin Nickel	P-106.SN

P-1096

Bar Pull 6" OL x 96mm C/C x 12mm Dia.

CASE QTY	100	WEIGHT/CASE	36 lbs
BOX QTY	10	PROJECTION	35mm
LENGTH	6"	WIDTH	12mm

Available Colors	Item Number
Oil Rubbed Bronze	P-1096.10B
Matte Black	P-1096.BK
Dark Pewter	P-1096.DP
Polished Chrome	P-1096.PC
Rose Gold	P-1096.RG
Polished Brass	P-1096.PB
Satin Brass	P-1096.SB
Satin Nickel	P-1096.SN
Stainless Steel	P-1096.SS



P-107.SN SATIN NICKEL

Bar Pull 7" OL x 128mm C/C x 12mm Dia.

CASE QTY	100	WEIGHT/CASE	40 lbs
BOX QTY	10	PROJECTION	35mm
LENGTH	7"	WIDTH	12mm

P-108

Bar Pull 8" OL x 5" C/C x 12mm Dia.

CASE QTY	50	WEIGHT/CASE	51 lbs
BOX QTY	10	PROJECTION	35mm
LENGTH	8"	WIDTH	12mm

Available Colors	Item Number
Oil Rubbed Bronze	P-108.10B
Matte Black	P-108.BK *100 Case
Dark Pewter	P-108.DP
Polished Chrome	P-108.PC *100 Case
Rose Gold	P-108.RG
Satin Nickel	P-108.SN *100 Case

P-109.SN SATIN NICKEL

Bar Pull 9" OL x 160mm C/C x 12mm Dia.

CASE QTY	100	WEIGHT/CASE	50 lbs
BOX QTY	10	PROJECTION	35mm
LENGTH	9"	WIDTH	12mm

P-110

Bar Pull 10" OL x 7" C/C x 12mm Dia.

CASE QTY	100	WEIGHT/CASE	61 lbs
BOX QTY	10	PROJECTION	35mm
LENGTH	10"	WIDTH	12mm

Available Colors	Item Number
Oil Rubbed Bronze	P-110.10B *50 Case
Matte Black	P-110.BK
Dark Pewter	P-110.DP *50 Case
Polished Chrome	P-110.PC
Rose Gold	P-110.RG *50 Case
Satin Nickel	P-110.SN

P-112

Bar Pull 12" OL x 9" C/C x 12mm Dia.

CASE QTY	50	WEIGHT/CASE	36 lbs
BOX QTY	10	PROJECTION	35mm
LENGTH	12"	WIDTH	12mm

Available Colors	Item Number
Oil Rubbed Bronze	P-112.10B
Matte Black	P-112.BK
Polished Chrome	P-112.PC
Rose Gold	P-112.RG
Satin Nickel	P-112.SN



Bar Pull Collection

P-114

Bar Pull 14" OL x 11" C/C x 12mm Dia.

CASE QTY	50	WEIGHT/CASE	46 lbs
BOX QTY	10	PROJECTION	35mm
LENGTH	14"	WIDTH	12mm

Available Colors	Item Number
Matte Black	P-114.BK
Rose Gold	P-114.RG
Satin Nickel	P-114.SN

P-116

Bar Pull 16" OL x 13" C/C x 12mm Dia.

CASE QTY	50	WEIGHT/CASE	61 lbs
BOX QTY	10	PROJECTION	35mm
LENGTH	16"	WIDTH	12mm

Available Colors	Item Number
Oil Rubbed Bronze	P-116.10B
Rose Gold	P-116.RG
Satin Nickel	P-116.SN

P-118.SN SATIN NICKEL

Bar Pull 18" OL x 15" C/C x 12mm Dia.

CASE QTY	50	WEIGHT/CASE	66 lbs
BOX QTY	10	PROJECTION	35mm
LENGTH	18"	WIDTH	12mm

P-120

Bar Pull 20" OL x 17" C/C x 12mm Dia.

CASE QTY	40	WEIGHT/CASE	57 lbs
BOX QTY	10	PROJECTION	35mm
LENGTH	20"	WIDTH	12mm

Available Colors	Item Number
Oil Rubbed Bronze	P-120.10B
Satin Nickel	P-120.SN

P-122

Bar Pull 22" OL x 19" C/C x 12mm Dia.

CASE QTY	40	WEIGHT/CASE	61 lbs
BOX QTY	10	PROJECTION	35mm
LENGTH	22"	WIDTH	12mm

Available Colors	Item Number
Satin Nickel	P-122.SN

P-124

Bar Pull 24" OL x 21" C/C x 12mm Dia.

CASE QTY	40	WEIGHT/CASE	67 lbs
BOX QTY	10	PROJECTION	35mm
LENGTH	24"	WIDTH	12mm

Available Colors	Item Number
Oil Rubbed Bronze	P-124.10B
Satin Nickel	P-124.SN

P-126.SN SATIN NICKEL

Bar Pull 26" OL x 23" C/C x 12mm Dia.

CASE QTY	40	WEIGHT/CASE	73 lbs
BOX QTY	10	PROJECTION	35mm
LENGTH	26"	WIDTH	12mm

P-128

Bar Pull 28" OL x 25" C/C x 12mm Dia.

CASE QTY	20	WEIGHT/CASE	39 lbs
BOX QTY	10	PROJECTION	35mm
LENGTH	28"	WIDTH	12mm

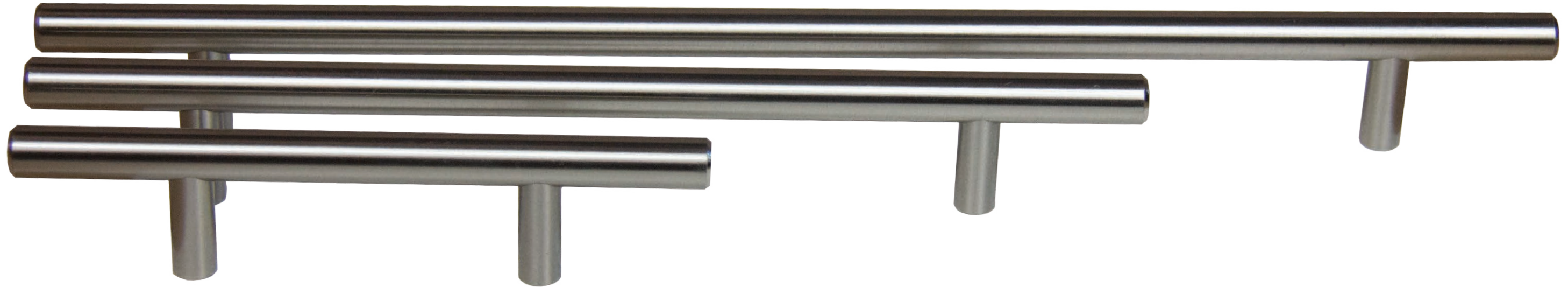
Available Colors	Item Number
Satin Nickel	P-128.SN

P-130.SN SATIN NICKEL

Bar Pull 30" OL x 27" C/C x 12mm Dia.

CASE QTY	20	WEIGHT/CASE	41 lbs
BOX QTY	10	PROJECTION	35mm
LENGTH	30"	WIDTH	12mm





K-102.SS STAINLESS STEEL
Bar Pull Knob 2-3/8" OL x 12mm Dia.
CASE QTY 250 WEIGHT/CASE 36 lbs
BOX QTY 25 PROJECTION 35mm
LENGTH 2-3/8" WIDTH 12mm

P-1096H.SS HOLLOW STAINLESS STEEL
Bar Pull 6" OL x 96mm C/C x 12mm Dia.
CASE QTY 200 WEIGHT/CASE 22.88 lbs
BOX QTY 20 PROJECTION 35mm
LENGTH 6" WIDTH 12mm

P-109.SS STAINLESS STEEL
Bar Pull 9-7/8" OL x 192mm C/C x 12mm Dia.
CASE QTY 100 WEIGHT/CASE 57 lbs
BOX QTY 10 PROJECTION 35mm
LENGTH 9-7/8" WIDTH 12mm

P-122.SS STAINLESS STEEL
Bar Pull 22" OL x 19" C/C x 12mm Dia.
CASE QTY 40 WEIGHT/CASE 61 lbs
BOX QTY 10 PROJECTION 35mm
LENGTH 22" WIDTH 12mm

P-105.SS STAINLESS STEEL
Bar Pull 5-1/2" OL x 3" C/C x 12mm Dia.
CASE QTY 100 WEIGHT/CASE 37 lbs
BOX QTY 10 PROJECTION 35mm
LENGTH 5-1/2" WIDTH 12mm

P-1068H.SS HOLLOW STAINLESS STEEL
Bar Pull 174mm OL x 128mm C/C x 12mm Dia.
CASE QTY 200 WEIGHT/CASE 26 lbs
BOX QTY 20 PROJECTION 35mm
LENGTH 174mm WIDTH 12mm

P-113.SS STAINLESS STEEL
Bar Pull 13-1/4" OL x 256mm C/C x 12mm Dia.
CASE QTY 50 WEIGHT/CASE 61 lbs
BOX QTY 25 PROJECTION 35mm
LENGTH 13-1/4" WIDTH 12mm

P-124.SS STAINLESS STEEL
Bar Pull 24" OL x 21" C/C x 12mm Dia.
CASE QTY 25 WEIGHT/CASE 67 lbs
BOX QTY 25 PROJECTION 35mm
LENGTH 24" WIDTH 12mm

P-1096.SS STAINLESS STEEL
Bar Pull 6" OL x 96mm C/C x 12mm Dia.
CASE QTY 100 WEIGHT/CASE 39 lbs
BOX QTY 10 PROJECTION 35mm
LENGTH 6" WIDTH 12mm

P-107.SS STAINLESS STEEL
Bar Pull 7-7/16" OL x 128mm C/C x 12mm Dia.
CASE QTY 100 WEIGHT/CASE 46 lbs
BOX QTY 10 PROJECTION 35mm
LENGTH 7-7/16" WIDTH 12mm

P-115.SS STAINLESS STEEL
Bar Pull 15-3/4" OL x 320mm C/C x 12mm Dia.
CASE QTY 50 WEIGHT/CASE 51 lbs
BOX QTY 25 PROJECTION 35mm
LENGTH 15-3/4" WIDTH 12mm

P-128.SS STAINLESS STEEL
Bar Pull 28" OL x 25" C/C x 12mm Dia.
CASE QTY 25 WEIGHT/CASE 34 lbs
BOX QTY 25 PROJECTION 35mm
LENGTH 28" WIDTH 12mm

P-1096H.BK HOLLOW STAINLESS STEEL MATTE BLACK
Bar Pull 6" OL x 96mm C/C x 12mm Dia.
CASE QTY 200 WEIGHT/CASE 21 lbs
BOX QTY 20 PROJECTION 35mm
LENGTH 6" WIDTH 12mm

P-108H.SS HOLLOW STAINLESS STEEL
Bar Pull 8" OL x 128mm C/C x 12mm Dia.
CASE QTY 200 WEIGHT/CASE 27 lbs
BOX QTY 20 PROJECTION 35mm
LENGTH 8" WIDTH 12mm

P-119.SS STAINLESS STEEL
Bar Pull 19-1/2" OL x 416mm C/C x 12mm Dia.
CASE QTY 50 WEIGHT/CASE 66 lbs
BOX QTY 25 PROJECTION 35mm
LENGTH 19-1/2" WIDTH 12mm

P-133.SS STAINLESS STEEL
Bar Pull 33-1/4" OL x 768mm C/C x 12mm Dia.
CASE QTY 20 WEIGHT/CASE 48 lbs
BOX QTY 10 PROJECTION 35mm
LENGTH 33-1/4" WIDTH 12mm



Bar Pull Unique Options

P-81837.DN

Curved Bar Pull 128mm C/C Dull Nickel

CASE QTY	250	WEIGHT/CASE	56 lbs
BOX QTY	25	PROJECTION	26mm
LENGTH	165mm	WIDTH	10mm



P-0136

Bar Pull 136mm OL x 3" C/C x 12mm Dia
H=35mm with 1-3/4" Breakaway Screw

CASE QTY	100	WEIGHT/CASE	33.5 lbs
BOX QTY	10	PROJECTION	35mm
LENGTH	136mm	WIDTH	12mm

Available Colors	Item Number
Matte Black	P-0136.BK
Satin Nickel	P-0136.SN
Polished Chrome	P-0136.PC



P-0146

Bar Pull 96mm C/C 146mm OL 14mm dia
With 1-3/4" Breakaway Screw

CASE QTY	100	WEIGHT/CASE	46 lbs
BOX QTY	10	PROJECTION	35mm
LENGTH	146mm	WIDTH	14mm

Available Colors	Item Number
Matte Black	P-0146.BK
Satin Nickel	P-0146.SN



P-0178

Bar Pull 128mm 178mm OL 14mm Dia
with 2pcs 1" & 2pcs 1.75" Breakaway screws

CASE QTY	100	WEIGHT/CASE	54 lbs
BOX QTY	10	PROJECTION	35mm
LENGTH	178mm	WIDTH	14mm

Available Colors	Item Number
Matte Black	P-0178.BK
Satin Nickel	P-0178.SN



P-242.SN

Bar Pull 192mm C/C 242mm OL 14mm Dia
H=36.5mm Satin Nickel
With 1-3/4" Breakaway Screw

CASE QTY	50	WEIGHT/CASE	36 lbs
BOX QTY	10	PROJECTION	36.5mm
LENGTH	242mm	WIDTH	14mm



P-370.SN

Bar Pull 320mm C/C 370mm OL 14mm Dia
H=36.5mm Satin Nickel
With 1-3/4" Breakaway Screw

CASE QTY	50	WEIGHT/CASE	51 lbs
BOX QTY	10	PROJECTION	36.5mm
LENGTH	370mm	WIDTH	14mm



Eleganza Collection



P-72276.SN

Bar Pull Square Leg 96mm C/C
136mm OL 14mm Dia with 2pcs 1" &
2pcs 1.75" breakaway screws

CASE QTY	100	WEIGHT/CASE	14 lbs
BOX QTY	20	PROJECTION	33mm
LENGTH	136mm	WIDTH	14mm

P-72277.SN

Bar Pull Square Leg 128mm C/C
6-5/8" OL Satin Nickel 14mm Dia with
2pcs 1" & 2pcs 1.75" breakaway screws

CASE QTY	100	WEIGHT/CASE	16 lbs
BOX QTY	20	PROJECTION	33mm
LENGTH	168mm	WIDTH	14mm

P-72278.SN

Bar Pull Square Leg 192mm C/C
9-1/8" OL Satin Nickel 14mm Dia with
2pcs 1" & 2pcs 1.75" breakaway screws

CASE QTY	100	WEIGHT/CASE	19 lbs
BOX QTY	20	PROJECTION	33mm
LENGTH	232mm	WIDTH	14mm



P-81456
Pull 96mm C/C
CASE QTY 120 **WEIGHT/CASE** 35 lbs
BOX QTY 20 **PROJECTION** 26mm
LENGTH 105mm **WIDTH** 21mm

Available Colors	Item Number
Oil Rubbed Bronze	P-81456.10B
Matte Black	P-81456.BK
Polished Chrome	P-81456.PC
Rose Gold	P-81456.RG
Satin Nickel	P-81456.SN

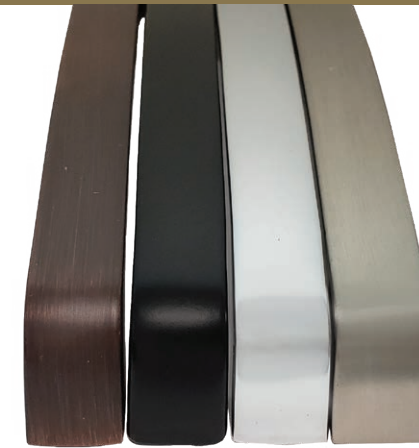
P-81458
Pull 128mm C/C
CASE QTY 100 **WEIGHT/CASE** 41.27 lbs
BOX QTY 25 **PROJECTION** 30mm
LENGTH 137mm **WIDTH** 21mm

Available Colors	Item Number
Oil Rubbed Bronze	P-81458.10B
Matte Black	P-81458.BK
Polished Chrome	P-81458.PC
Rose Gold	P-81458.RG
Satin Nickel	P-81458.SN



P-21768
Pull 128mm C/C
CASE QTY 250 **WEIGHT/CASE** 38 lbs
BOX QTY 25 **PROJECTION** 25mm
LENGTH 145mm **WIDTH** 15mm

Available Colors	Item Number
Oil Rubbed Bronze	P-21768.10B
Polished Chrome	P-21768.PC
Rose Gold	P-21768.RG
Satin Nickel	P-21768.SN



P-82234
Modern Pull 96mm C/C
CASE QTY 200 **WEIGHT/CASE** 27 lbs
BOX QTY 20 **PROJECTION** 24mm
LENGTH 106mm **WIDTH** 10.6mm

Available Colors	Item Number
Oil Rubbed Bronze	P-82234.10B
Matte Black	P-82234.BK
Polished Chrome	P-82234.PC
Satin Nickel	P-82234.SN

P-82034
Modern Pull 128mm C/C
CASE QTY 250 **WEIGHT/CASE** 28 lbs
BOX QTY 25 **PROJECTION** 24mm
LENGTH 138mm **WIDTH** 10.6mm

Available Colors	Item Number
Oil Rubbed Bronze	P-82034.10B
Matte Black	P-82034.BK
Polished Chrome	P-82034.PC
Satin Nickel	P-82034.SN

P-81235
Modern Pull 160mm C/C
CASE QTY 250 **WEIGHT/CASE** 46 lbs
BOX QTY 25 **PROJECTION** 25mm
LENGTH 170mm **WIDTH** 13.5mm

Available Colors	Item Number
Oil Rubbed Bronze	P-81235.10B
Matte Black	P-81235.BK
Polished Chrome	P-81235.PC
Satin Nickel	P-81235.SN

P-82103
Modern Bow Pull 96mm C/C
CASE QTY 250 **WEIGHT/CASE** 26 lbs
BOX QTY 25 **PROJECTION** 22.5mm
LENGTH 138mm **WIDTH** 15mm

Available Colors	Item Number
Oil Rubbed Bronze	P-82103.10B
Matte Black	P-82103.BK
Polished Chrome	P-82103.PC
Satin Nickel	P-82103.SN



P-82104
Modern Bow Pull 128mm C/C
CASE QTY 250 **WEIGHT/CASE** 36 lbs
BOX QTY 25 **PROJECTION** 20.5mm
LENGTH 173mm **WIDTH** 16mm

Available Colors	Item Number
Oil Rubbed Bronze	P-82104.10B
Matte Black	P-82104.BK
Polished Chrome	P-82104.PC
Satin Nickel	P-82104.SN

P-82106
Modern Bow Pull 160mm C/C
CASE QTY 150 **WEIGHT/CASE** 23 lbs
BOX QTY 25 **PROJECTION** 22mm
LENGTH 206mm **WIDTH** 16mm

Available Colors	Item Number
Satin Nickel	P-82106.SN



P-87216 ✓

Deco Pull 128mm

CASE QTY	250	WEIGHT/CASE	43 lbs
BOX QTY	25	PROJECTION	32mm
LENGTH	144mm	WIDTH	13mm

Available Colors	Item Number
Oil Rubbed Bronze	P-87216.10B
Matte Black	P-87216.BK
Polished Chrome	P-87216.PC
Satin Nickel	P-87216.SN



P-87215 ✓

Deco Pull 96mm

CASE QTY	250	WEIGHT/CASE	41 lbs
BOX QTY	25	PROJECTION	32mm
LENGTH	110mm	WIDTH	13mm

Available Colors	Item Number
Oil Rubbed Bronze	P-87215.10B
Matte Black	P-87215.BK
Polished Chrome	P-87215.PC
Satin Nickel	P-87215.SN

P-87218 ✓

Deco Pull 160mm

CASE QTY	100	WEIGHT/CASE	20 lbs
BOX QTY	10	PROJECTION	35mm
LENGTH	175mm	WIDTH	13mm

Available Colors	Item Number
Oil Rubbed Bronze	P-87218.10B
Matte Black	P-87218.BK
Polished Chrome	P-87218.PC
Satin Nickel	P-87218.SN



P-81541

Deco Bow Pull 96mm C/C

CASE QTY	250	WEIGHT/CASE	41 lbs
BOX QTY	25	PROJECTION	27mm
LENGTH	122mm	WIDTH	24mm

Available Colors	Item Number
Oil Rubbed Bronze	P-81541.10B
Polished Chrome	P-81541.PC
Satin Nickel	P-81541.SN

P-81542

Deco Bow Pull 128mm C/C

CASE QTY	250	WEIGHT/CASE	50 lbs
BOX QTY	25	PROJECTION	23mm
LENGTH	154mm	WIDTH	13mm
		FOOT WIDTH	25mm

Available Colors	Item Number
Antique Satin Pewter	P-81542.APH
Satin Nickel	P-81542.SN



P-29255.SS

Stainless Steel Pull 128mm C/C with Flat Top Metric Screws

CASE QTY	200	WEIGHT/CASE	45 lbs
BOX QTY	20	PROJECTION	29mm
LENGTH	152mm	WIDTH	10mm



P-50S

Arch Pull 96mm C/C

CASE QTY	200	WEIGHT/CASE	26 lbs
BOX QTY	20	PROJECTION	30mm
LENGTH	117mm	WIDTH	10mm

Available Colors	Item Number
Matte Black	P-50S.BK ^{250 Case; 25 Box}
Satin Nickel	P-50S.SN

P-50-160

Arch Pull 160mm C/C

CASE QTY	150	WEIGHT/CASE	37 lbs
BOX QTY	10	PROJECTION	32mm
LENGTH	188mm	WIDTH	12mm

Available Colors	Item Number
Matte Black	P-50-160.BK

P-50M

Arch Pull 128mm C/C

CASE QTY	200	WEIGHT/CASE	39 lbs
BOX QTY	20	PROJECTION	32mm
LENGTH	155mm	WIDTH	10mm

Available Colors	Item Number
Oil Rubbed Bronze	P-50M.10B
Matte Black	P-50M.BK
Black Nickel	P-50M.BN
Dull Nickel	P-50M.DN
Polished Chrome	P-50M.PC
Satin Chrome	P-50M.SC
Satin Nickel	P-50M.SN

P-50SG

Arch Pull 320mm C/C

CASE QTY	100	WEIGHT/CASE	84 lbs
BOX QTY	10	PROJECTION	55mm
LENGTH	356mm	WIDTH	12mm

Available Colors	Item Number
Satin Nickel	P-50SG.SN



K-92230
28mm Square Knob
CASE QTY 250 **WEIGHT/CASE** 23 lbs
BOX QTY 25 **PROJECTION** 26mm
LENGTH 28mm **WIDTH** 28mm

Available Colors	Item Number
Oil Rubbed Bronze	K-92230.10B
Matte Black	K-92230.BK
Dark Pewter	K-92230.DP
Polished Chrome	K-92230.PC
Rose Gold	K-92230.RG
Satin Nickel	K-92230.SN

K-92430
36x28 Rectangular Knob
CASE QTY 250 **WEIGHT/CASE** 25 lbs
BOX QTY 25 **PROJECTION** 26mm
LENGTH 36mm **WIDTH** 28mm

Available Colors	Item Number
Oil Rubbed Bronze	K-92430.10B
Matte Black	K-92430.BK
Dark Pewter	K-92430.DP
Polished Chrome	K-92430.PC
Rose Gold	K-92430.RG
Satin Nickel	K-92430.SN

P-90396
Charleston Cup Pull 96mm C/C & 3" C/C
CASE QTY 150 **WEIGHT/CASE** 53 lbs
BOX QTY 15 **PROJECTION** 21mm
LENGTH 118mm **WIDTH** 42mm

Available Colors	Item Number
Oil Rubbed Bronze	P-90396.10B
Matte Black	P-90396.BK
Dark Pewter	P-90396.DP
Polished Chrome	P-90396.PC
Rose Gold	P-90396.RG
Satin Nickel	P-90396.SN



P-82981
Cup Pull 3" C/C
CASE QTY 200 **WEIGHT/CASE** 21 lbs
BOX QTY 20 **PROJECTION** 28mm
LENGTH 88.9mm **WIDTH** 32mm

Available Colors	Item Number
Oil Rubbed Bronze	P-82981.10B
Matte Black	P-82981.BK
Dark Pewter	P-82981.DP
Polished Chrome	P-82981.PC
Rose Gold	P-82981.RG
Satin Nickel	P-82981.SN



P-80753
Bin Pull 3" C/C
CASE QTY 250 **WEIGHT/CASE** 43 lbs
BOX QTY 25 **PROJECTION** 28mm
LENGTH 4-1/2" **WIDTH** 34mm

Available Colors	Item Number
Oil Rubbed Bronze	P-80753.10B
Antique Satin Brass	P-80753.ABSB
Satin Pewter	P-80753.APH
Matte Black	P-80753.BK
Weathered Black	P-80753.DACM
Polished Chrome	P-80753.PC
Rose Gold	P-80753.RG
Satin Nickel	P-80753.SN



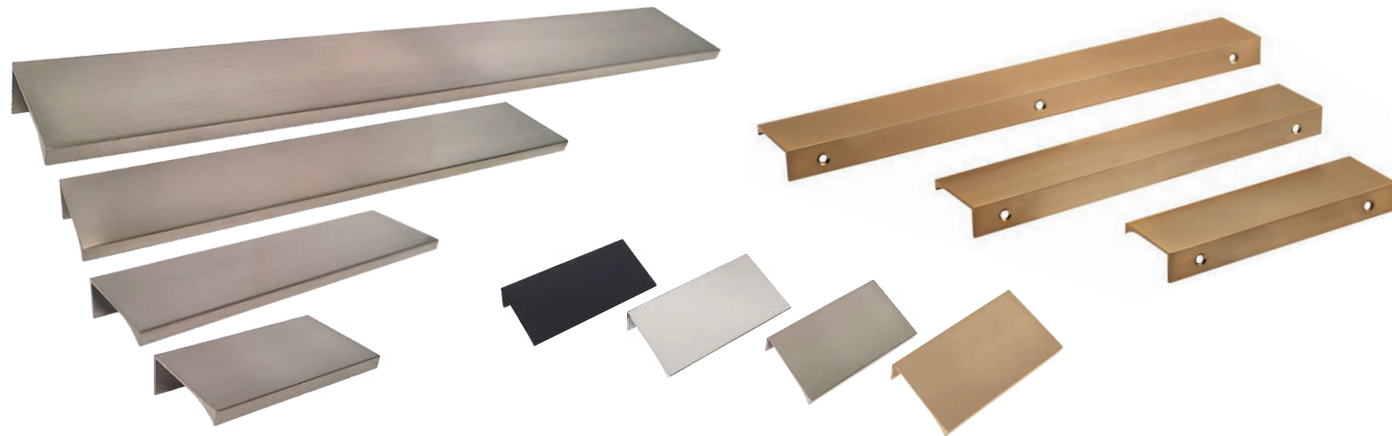
P-953
Cup Pull 3" C/C
CASE QTY 250 **WEIGHT/CASE** 28 lbs
BOX QTY 25 **PROJECTION** 35mm
LENGTH 3-1/2" **WIDTH** 43mm

Available Colors	Item Number
Oil Rubbed Bronze	P-953.10B
Matte Black	P-953.BK
Polished Chrome	P-953.PC
Rose Gold	P-953.RG
Antique Silver	P-953.SIM
Satin Nickel	P-953.SN



P-8233
Hooded Cup Pull 3" C/C
CASE QTY 250 **WEIGHT/CASE** 38 lbs
BOX QTY 25 **PROJECTION** 24mm
LENGTH 5" **WIDTH** 33mm

Available Colors	Item Number
Oil Rubbed Bronze	P-8233.10B
Matte Black	P-8233.BK
Weathered Black	P-8233.DACM
Polished Chrome	P-8233.PC
Antique Silver	P-8233.SIM
Satin Nickel	P-8233.SN



P-1803

46mm C/C x 76mm (3") OL

CASE QTY	500	WEIGHT/CASE	26 lbs
BOX QTY	50	PROJECTION	41mm
LENGTH	76mm	WIDTH	17mm

Available Colors	Item Number
Matte Black	P-1803.BK
Polished Chrome	P-1803.PC
Satin Nickel	P-1803.SN
Satin Gold	P-1803.SG

P-1806

112mm C/C x 152mm (6") OL

CASE QTY	300	WEIGHT/CASE	31 lbs
BOX QTY	30	PROJECTION	41mm
LENGTH	152mm	WIDTH	17mm

Available Colors	Item Number
Matte Black	P-1806.BK
Polished Chrome	P-1806.PC
Satin Nickel	P-1806.SN
Satin Gold	P-1806.SG

P-1809

189mm C/C x 229mm (9") OL

CASE QTY	180	WEIGHT/CASE	26 lbs
BOX QTY	30	PROJECTION	41mm
LENGTH	229mm	WIDTH	17mm

Available Colors	Item Number
Matte Black	P-1809.BK
Polished Chrome	P-1809.PC
Satin Nickel	P-1809.SN
Satin Gold	P-1809.SG

P-1812

132mm*2 C/C x 304mm (12") OL

CASE QTY	150	WEIGHT/CASE	30 lbs
BOX QTY	25	PROJECTION	41mm
LENGTH	304mm	WIDTH	17mm

Available Colors	Item Number
Matte Black	P-1812.BK
Polished Chrome	P-1812.PC
Satin Nickel	P-1812.SN
Satin Gold	P-1812.SG

P-1876

Perfect Edge Pull 60mm C/C 76mm OL

CASE QTY	250	WEIGHT/CASE	21 lbs
BOX QTY	25	PROJECTION	38mm
LENGTH	76mm	WIDTH	41mm

Available Colors	Item Number
Oil Rubbed Bronze	P-1876.10B
Matte Black	P-1876.BK
Satin Nickel	P-1876.SN

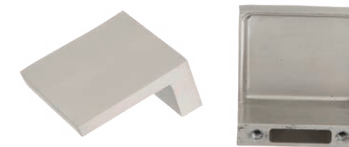


P-80014

2" Edge Pull

CASE QTY	250	WEIGHT/CASE	41 lbs
BOX QTY	25	PROJECTION	37mm
LENGTH	37mm	WIDTH	50mm

Available Colors	Item Number
Oil Rubbed Bronze	P-80014.10B
Matte Black	P-80014.BK
Satin Nickel	P-80014.SN



K-1667

Bar Knob 32mm C/C x 48mm

CASE QTY	250	WEIGHT/CASE	48 lbs
BOX QTY	25	PROJECTION	22.4mm
LENGTH	48mm	WIDTH	48mm

Available Colors	Item Number
Oil Rubbed Bronze	K-1667.10B
Polished Chrome	K-1667.PC
Satin Nickel	K-1667.SN

P-80215

Contemporary Pull 96mm C/C

CASE QTY	200	WEIGHT/CASE	41 lbs
BOX QTY	25	PROJECTION	20mm
LENGTH	148mm	WIDTH	17mm

Metric Threads	Item Number
Black Wrinkle Powder	P-80215.BKW
Dull Nickel	P-80215.DN
Satin Nickel	P-80215.SN



P-80846

Waterfall Pull 96mm C/C x 6-3/4" OL

CASE QTY	250	WEIGHT/CASE	36 lbs
BOX QTY	25	PROJECTION	18mm
LENGTH	6-3/4"	WIDTH	18mm

Available Colors	Item Number
Oil Rubbed Bronze	P-80846.10B
Matte Black	P-80846.BK
Satin Nickel	P-80846.SN



P-80846.128

Waterfall Pull 128mm C/C x 6-3/4" OL

CASE QTY	250	WEIGHT/CASE	41 lbs
BOX QTY	25	PROJECTION	18mm
LENGTH	6-3/4"	WIDTH	18mm

Available Colors	Item Number
Matte Black	P-80846.128.BK
Satin Nickel	P-80846.128.SN

K-86618

65mm Deco Knob

CASE QTY	250	WEIGHT/CASE	46 lbs
BOX QTY	25	PROJECTION	30mm
LENGTH	65mm	WIDTH	18mm

Available Colors	Item Number
Oil Rubbed Bronze	K-86618.10B
Antique Satin Brass	K-86618.ABSB
Satin Pewter	K-86618.APH
Weathered Black	K-86618.DACM
Rose Gold	K-86618.RG
Satin Nickel	K-86618.SN



K-81784

30mm Rope Knob

CASE QTY	250	WEIGHT/CASE	26 lbs
BOX QTY	25	PROJECTION	24mm
DIAMETER	30mm		

Available Colors	Item Number
Oil Rubbed Bronze	K-81784.10B
Antique Satin Brass	K-81784.ABSB
Weathered Black	K-81784.DACM
Satin Nickel	K-81784.SN



P-86718

Deco Pull 128mm C/C

CASE QTY	250	WEIGHT/CASE	58 lbs
BOX QTY	25	PROJECTION	36mm
LENGTH	145mm	WIDTH	18mm

Available Colors	Item Number
Oil Rubbed Bronze	P-86718.10B
Antique Satin Brass	P-86718.ABSB
Satin Pewter	P-86718.APH
Weathered Black	P-86718.DACM
Rose Gold	P-86718.RG
Satin Nickel	P-86718.SN



P-81297

Deco Bow Pull 96mm C/C

CASE QTY	250	WEIGHT/CASE	31 lbs
BOX QTY	25	PROJECTION	26mm
LENGTH	120mm	WIDTH	6mm

Available Colors	Item Number
Oil Rubbed Bronze	P-81297.10B
Satin Pewter	P-81297.APH
Satin Nickel	P-81297.SN



K-972

30mm Braided Knob

CASE QTY	250	WEIGHT/CASE	31 lbs
BOX QTY	25	PROJECTION	22mm
DIAMETER	30mm		

Available Colors	Item Number
Oil Rubbed Bronze	K-972.10B
Antique Satin Brass	K-972.ABSB
Satin Pewter	K-972.APH
Weathered Black	K-972.DACM
Satin Nickel	K-972.SN



K-81353

32mm Deco Knob

CASE QTY	250	WEIGHT/CASE	38 lbs
BOX QTY	25	PROJECTION	26mm
DIAMETER	32mm		

Available Colors	Item Number
Oil Rubbed Bronze	K-81353.10B
Satin Pewter	K-81353.APH
Weathered Black	K-81353.DACM
Satin Nickel	K-81353.SN



P-81366

Deco Pull 96mm C/C

CASE QTY	250	WEIGHT/CASE	33 lbs
BOX QTY	25	PROJECTION	28mm
LENGTH	118mm	WIDTH	15mm

Available Colors	Item Number
Oil Rubbed Bronze	P-81366.10B
Antique Satin Brass	P-81366.ABSB
Satin Pewter	P-81366.APH
Weathered Black	P-81366.DACM
Satin Nickel	P-81366.SN



P-86765

Deco Pull 3" C/C

CASE QTY	250	WEIGHT/CASE	31 lbs
BOX QTY	25	PROJECTION	27mm
LENGTH	120mm	WIDTH	9mm

Available Colors	Item Number
Oil Rubbed Bronze	P-86765.10B
Antique Satin Brass	P-86765.ABSB
Satin Pewter	P-86765.APH
Weathered Black	P-86765.DACM
Satin Nickel	P-86765.SN





K-80576

30mm Deco Knob

CASE QTY 250 **WEIGHT/CASE** 26 lbs
BOX QTY 25 **PROJECTION** 26mm
DIAMETER 30mm

Available Colors

Oil Rubbed Bronze
 Antique Satin Brass
 Weathered Black
 Satin Nickel

Item Number

K-80576.10B
 K-80576.ABSB
 K-80576.DACM
 K-80576.SN

P-83063

Braided Pull 3" C/C

CASE QTY 250 **WEIGHT/CASE** 38 lbs
BOX QTY 25 **PROJECTION** 25mm
LENGTH 120mm **WIDTH** 14mm

Available Colors

Oil Rubbed Bronze
 Antique Satin Brass
 Satin Pewter
 Weathered Black
 Satin Nickel

Item Number

P-83063.10B
 P-83063.ABSB
 P-83063.APH
 P-83063.DACM
 P-83063.SN



P-80008

Deco Pull 3" C/C

CASE QTY 250 **WEIGHT/CASE** 26 lbs
BOX QTY 25 **PROJECTION** 23mm
LENGTH 135mm **WIDTH** 18mm

Available Colors

Oil Rubbed Bronze
 Antique Satin Brass
 Satin Pewter
 Weathered Black
 Satin Nickel

Item Number

P-80008.10B
 P-80008.ABSB
 P-80008.APH
 P-80008.DACM
 P-80008.SN



K-80110

30mm Deco Knob

CASE QTY 250 **WEIGHT/CASE** 31 lbs
BOX QTY 25 **PROJECTION** 27mm
DIAMETER 30mm

Available Colors

Oil Rubbed Bronze
 Weathered Black
 Satin Nickel

Item Number

K-80110.10B
 K-80110.DACM
 K-80110.SN



K-82115

32mm Braided Knob

CASE QTY 250 **WEIGHT/CASE** 31 lbs
BOX QTY 25 **PROJECTION** 25mm
DIAMETER 32mm

Available Colors

Oil Rubbed Bronze
 Antique Satin Brass
 Satin Pewter
 Weathered Black
 Satin Nickel

Item Number

K-82115.10B
 K-82115.ABSB
 K-82115.APH
 K-82115.DACM
 K-82115.SN

P-80281

Deco Pull 96mm C/C

CASE QTY 250 **WEIGHT/CASE** 56 lbs
BOX QTY 25 **PROJECTION** 32mm
LENGTH 116mm **WIDTH** 10mm

Available Colors

Oil Rubbed Bronze
 Satin Pewter
 Weathered Black
 Satin Nickel

Item Number

P-80281.10B
 P-80281.APH
 P-80281.DACM
 P-80281.SN



K-80960

32mm Deco Knob

CASE QTY	250	WEIGHT/CASE	31 lbs
BOX QTY	25	PROJECTION	27mm
DIAMETER	31.6mm		

Available Colors

Oil Rubbed Bronze
Antique Satin Brass
Satin Pewter
Weathered Black
Satin Nickel

Item Number

K-80960.10B
K-80960.ABSB
K-80960.APH
K-80960.DACM
K-80960.SN



P-80290

Pull 3" C/C

CASE QTY	250	WEIGHT/CASE	28 lbs
BOX QTY	25	PROJECTION	32mm
LENGTH	85mm	WIDTH	17mm

Available Colors

Oil Rubbed Bronze
Weathered Black
Satin Nickel

Item Number

P-80290.10B
P-80290.DACM
P-80290.SN

P-80289

Pull 96mmCC

CASE QTY	250	WEIGHT/CASE	28 lbs
BOX QTY	25	PROJECTION	33mm
LENGTH	108mm	WIDTH	13mm

Available Colors

Oil Rubbed Bronze
Satin Nickel

Item Number

P-80289.10B
P-80289.SN



P-350-3.SN

Pull 3" C/C Satin Nickel

CASE QTY	250	WEIGHT/CASE	23 lbs
BOX QTY	25	PROJECTION	32mm
LENGTH	86mm	WIDTH	9mm



P-353

Wire Pull 3"CC

CASE QTY	250	WEIGHT/CASE	34 lbs
BOX QTY	25	PROJECTION	32mm
LENGTH	84.2mm	WIDTH	8mm

Available Colors

Oil Rubbed Bronze
Matte Black
Polished Brass
Polished Chrome
Satin Brass
Satin Chrome
Satin Nickel
Stainless Steel
White

Item Number

P-353.10B
P-353.BK
P-353.PB
P-353.PC
P-353.SB
P-353.SC
P-353.SN
P-353.SS
P-353.WT

P-354

Wire Pull 3-1/2"CC

CASE QTY	250	WEIGHT/CASE	33 lbs
BOX QTY	25	PROJECTION	32mm
LENGTH	88.9mm	WIDTH	8mm

Available Colors

Oil Rubbed Bronze
Matte Black
Polished Brass
Polished Chrome
Satin Chrome
Satin Nickel
Stainless Steel

Item Number

P-354.10B
P-354.BK
P-354.PB
P-354.PC
P-354.SC
P-354.SN
P-354.SS

P-356 ✓

Wire Pull 5"CC

CASE QTY	250	WEIGHT/CASE	43 lbs
BOX QTY	25	PROJECTION	32mm
LENGTH	135mm	WIDTH	8mm

Available Colors

Satin Chrome
Stainless Steel

Item Number

P-356.SC
P-356.SS

P-396 ✓

Wire Pull 96mm CC

CASE QTY	250	WEIGHT/CASE	36 lbs
BOX QTY	25	PROJECTION	32mm
LENGTH	104mm	WIDTH	8mm

Available Colors

Oil Rubbed Bronze
Matte Black
Polished Brass
Polished Chrome
Satin Brass
Satin Chrome
Satin Nickel
Stainless Steel

Item Number

P-396.10B
P-396.BK
P-396.PB
P-396.PC
P-396.SB
P-396.SC
P-396.SN
P-396.SS

P-355 ✓

Wire Pull 4"CC

CASE QTY	250	WEIGHT/CASE	39 lbs
BOX QTY	25	PROJECTION	32mm
LENGTH	110mm	WIDTH	8mm

Available Colors

Oil Rubbed Bronze
Aluminum
Matte Black
Black Nickel
Polished Brass
Polished Chrome
Satin Brass
Satin Chrome
Satin Nickel
Stainless Steel
White

Item Number

P-355.10B
P-355.AL
P-355.BK
P-355.BN
P-355.PB
P-355.PC
P-355.SB
P-355.SC
P-355.SN
P-355.SS
P-355.WT

K-971

1-3/8" Knob

CASE QTY 250 **WEIGHT/CASE** 33 lbs
BOX QTY 25 **PROJECTION** 25mm
DIAMETER 35mm

Available Colors	Item Number
Oil Rubbed Bronze	K-971.10B
Antique Copper Machined	K-971.ACM
Matte Black	K-971.BK
Weathered Nickel	K-971.BNMDL
Polished Chrome	K-971.PC
Rose Gold	K-971.RG
Antique Silver	K-971.SIM
Satin Nickel	K-971.SN



K-970

30mm Rope Knob

CASE QTY 250 **WEIGHT/CASE** 33 lbs
BOX QTY 25 **PROJECTION** 26mm
DIAMETER 30mm

Available Colors	Item Number
Oil Rubbed Bronze	K-970.10B
Antique Silver	K-970.SIM
Satin Nickel	K-970.SN



K-80980

32mm Knob

CASE QTY 250 **WEIGHT/CASE** 36 lbs
BOX QTY 25 **PROJECTION** 24mm
DIAMETER 31.6mm

Available Colors	Item Number
Oil Rubbed Bronze	K-80980.10B
Weathered Black	K-80980.DACM
Polished Chrome	K-80980.PC
Satin Nickel	K-80980.SN



K-928

31mm Knob

CASE QTY 250 **WEIGHT/CASE** 42 lbs
BOX QTY 25 **PROJECTION** 26mm
DIAMETER 31mm **WIDTH** 31mm

Available Colors	Item Number
Oil Rubbed Bronze	K-928.10B
Polished Chrome	K-928.PC
Antique Silver	K-928.SIM
Satin Nickel	K-928.SN



K-910

30mm Diecast Knob

CASE QTY 250 **WEIGHT/CASE** 33 lbs
BOX QTY 25 **PROJECTION** 28mm
DIAMETER 30mm

Available Colors	Item Number
Oil Rubbed Bronze	K-910.10B
Antique Brass	K-910.AB
Matte Black	K-910.BK
Black Nickel	K-910.BN
Weathered Black	K-910.DACM
Dark Pewter	K-910.DP
Polished Brass	K-910.PB
Polished Chrome	K-910.PC
Rose Gold	K-910.RG
Satin Brass	K-910.SB
Satin Chrome	K-910.SC
Satin Nickel	K-910.SN
White	K-910.WT



K-910H

30mm Island Knob

CASE QTY 250 **WEIGHT/CASE** 11 lbs
BOX QTY 25 **PROJECTION** 28mm
DIAMETER 30mm

Available Colors	Item Number
Oil Rubbed Bronze	K-910H.10B
Polished Chrome	K-910H.PC
Satin Nickel	K-910H.SN

K-810.SN

Mini Mushroom Knob 25mm Dia H=24.4mm with 1-1/4" screw

CASE QTY 250 **WEIGHT/CASE** 18 lbs
BOX QTY 25 **PROJECTION** 24.4mm
DIAMETER 25mm





K-83990

1-1/4" Football Knob

CASE QTY	250	WEIGHT/CASE	36 lbs
BOX QTY	25	PROJECTION	41mm
LENGTH	32mm	WIDTH	21mm

Available Colors

Oil Rubbed Bronze
Matte Black
Weathered Black
Satin Nickel

Item Number

K-83990.10B
K-83990.BK
K-83990.DACM
K-83990.SN

K-83991

1-5/8" Football Knob

CASE QTY	250	WEIGHT/CASE	61 lbs
BOX QTY	25	PROJECTION	41mm
LENGTH	41mm	WIDTH	23mm

Available Colors

Oil Rubbed Bronze
Matte Black
Weathered Black
Satin Nickel

Item Number

K-83991.10B
K-83991.BK
K-83991.DACM
K-83991.SN



K-82980

1-1/4" Diecast Knob Satin Nickel

CASE QTY	250	WEIGHT/CASE	44 lbs
BOX QTY	25	PROJECTION	29mm
DIAMETER	32mm		

Available Colors

Matte Black
Polished Chrome
Satin Nickel

Item Number

K-82980.BK
K-82980.PC
K-82980.SN

K-53082

32mm Pyramid Top Knob Satin Nickel

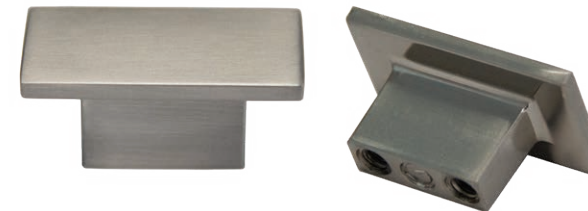
CASE QTY	250	WEIGHT/CASE	38 lbs
BOX QTY	25	PROJECTION	22mm
LENGTH	32mm	WIDTH	32mm

Available Colors

Oil Rubbed Bronze
Polished Chrome
Satin Nickel

Item Number

K-53082.10B
K-53082.PC
K-53082.SN



K-81021.SN

22x40mm 16mm C/C Rectangular Knob
Satin Nickel W/1-3/4" Breakaway Screw

CASE QTY	250	WEIGHT/CASE	21 lbs
BOX QTY	25	PROJECTION	19mm
LENGTH	40mm	WIDTH	22mm

K-6361.SN

31mm Knob Satin Nickel

CASE QTY	250	WEIGHT/CASE	18 lbs
BOX QTY	25	PROJECTION	23mm
DIAMETER	31mm		



K-80975

34.2mm Deco Knob Round

CASE QTY	250	WEIGHT/CASE	30 lbs
BOX QTY	25	LENGTH	34.2mm
WIDTH	32.4mm		

K-80650

Oval Knob 47.8*25.4

CASE QTY	250	WEIGHT/CASE	37 lbs
BOX QTY	25	PROJECTION	25mm
LENGTH	47.8mm	WIDTH	25.4mm

Available Colors
 Oil Rubbed Bronze
 Brushed Pewter
 Satin Nickel

Item Number
 K-80650.10B
 K-80650.APH
 K-80650.SN



K-3910

30.2mm Diecast Knob

CASE QTY	250	WEIGHT/CASE	34 lbs
BOX QTY	25	PROJECTION	29mm
DIAMETER	30.2mm		

Available Colors
 Oil Rubbed Bronze
 Polished Chrome
 Satin Nickel

Item Number
 K-3910.10B
 K-3910.PC
 K-3910.SN



K-7141.SN

1-1/4 Knob Satin Nickel W/O screws Bulk Pack

CASE QTY	250	WEIGHT/CASE	12 lbs
BOX QTY	BULK	PROJECTION	21mm
DIAMETER	31.7mm		



K-6030.BK

17mm Knob Matte Black

CASE QTY	500	WEIGHT/CASE	26 lbs
BOX QTY	50	PROJECTION	20mm
DIAMETER	17.5mm		



P-4655

Bow Pull 128mm CC

CASE QTY	250	WEIGHT/CASE	38 lbs
BOX QTY	25	PROJECTION	32mm
LENGTH	160mm	WIDTH	6mm

Available Colors
 Matte Black
 Satin Nickel

Item Number
 P-4655.BK
 P-4655.SN

P-8065.SN

Deco Pull 96mm CC Satin Nickel

CASE QTY	250	WEIGHT/CASE	26 lbs
BOX QTY	25	PROJECTION	27mm
LENGTH	130mm	WIDTH	5mm



P-8731.SN

Wave Pull 96mm CC Satin Nickel

CASE QTY	250	WEIGHT/CASE	33 lbs
BOX QTY	25	PROJECTION	24mm
LENGTH	130mm	WIDTH	7mm

P-81065.SN

PULL 128MM C/C

CASE QTY	120	WEIGHT/CASE	26.5 lbs
BOX QTY	25	PROJECTION	25.5mm
LENGTH	156.6mm	WIDTH	10.5mm



P-A012.SN

45mm Oval Knob 16mm CC Satin Nickel
CASE QTY 120 **WEIGHT/CASE** 41 lbs
BOX QTY 20 **PROJECTION** 29mm
LENGTH 160mm **WIDTH** 19mm



P-2278

Bow Pull 128mm CC
CASE QTY 250 **WEIGHT/CASE** 56 lbs
BOX QTY 25 **PROJECTION** 30mm
LENGTH 145mm **WIDTH** 15mm

Available Colors	Item Number
Oil Rubbed Bronze	P-2278.10B
Polished Chrome	P-2278.PC
Satin Nickel	P-2278.SN



P-7166.SN

Bow Pull 96mm CC Satin Nickel
CASE QTY 250 **WEIGHT/CASE** 29.20 lbs
BOX QTY 25 **PROJECTION** 28mm
LENGTH 116mm **WIDTH** 5mm



P-888.SN

Contemporary Pull 128mm CC Satin Nickel
CASE QTY 250 **WEIGHT/CASE** 23 lbs
BOX QTY 25 **PROJECTION** 26mm
LENGTH 155mm **WIDTH** 7mm



P-81145

Arch Pull Flat Top 128mm CC
CASE QTY 250 **WEIGHT/CASE** 41 lbs
BOX QTY 25 **PROJECTION** 27mm
LENGTH 154mm **WIDTH** 14mm

Available Colors	Item Number
Matte Black	P-81145.BK
Dull Nickel	P-81145.DN



P-092910

Dimpled Pull 128mm CC
CASE QTY 250 **WEIGHT/CASE** 48 lbs
BOX QTY 25 **PROJECTION** 29mm
LENGTH 158mm **WIDTH** 16mm

Available Colors	Item Number
Oil Rubbed Bronze	P-092910.10B
Matte Black	P-092910.BK
Satin Nickel	P-092910.SN



P-908.SN

Pull 3" CC Satin Nickel
CASE QTY 250 **WEIGHT/CASE** 26 lbs
BOX QTY 25 **PROJECTION** 22mm
LENGTH 145mm **WIDTH** 15mm

P-80814

Pull 96mm CC
CASE QTY 250 **WEIGHT/CASE** 27 lbs
BOX QTY 25 **PROJECTION** 22mm
LENGTH 127mm **WIDTH** 11mm

Available Colors	Item Number
Oil Rubbed Bronze	P-80814.10B
Satin Nickel	P-80814.SN



P-80815.SN

Pull 128mm CC Satin Nickel
CASE QTY 250 **WEIGHT/CASE** 33 lbs
BOX QTY 25 **PROJECTION** 31mm
LENGTH 160mm **WIDTH** 14mm

P-954

Pull 3" CC
CASE QTY 250 **WEIGHT/CASE** 43 lbs
BOX QTY 25 **PROJECTION** 25mm
LENGTH 144mm **WIDTH** 16mm

Available Colors	Item Number
Oil Rubbed Bronze	P-954.10B
Antique Copper	P-954.ACM
Satin Nickel	P-954.SN





P-88760.10B
Pull 96mm CC Oil Rubbed Bronze

CASE QTY	250	WEIGHT/CASE	51 lbs
BOX QTY	25	PROJECTION	25mm
LENGTH	123mm	WIDTH	8mm

P-8004.SN
4-7/8" OL 96mm C/C Pull Satin Nickel W/1-3/4" Breakway Screw

CASE QTY	250	WEIGHT/CASE	27 lbs
BOX QTY	25	PROJECTION	27mm
LENGTH	125mm	WIDTH	9.5mm



P-675.BK/SS
Recessed Pull with Stainless Steel Face

CASE QTY	250	WEIGHT/CASE	23 lbs
BOX QTY	25	PROJECTION	-23mm
LENGTH	114mm	WIDTH	32mm

Recess is 32mm x 98mm

P-847
Pull 3" CC

CASE QTY	250	WEIGHT/CASE	33 lbs
BOX QTY	25	PROJECTION	28mm
LENGTH	128mm	WIDTH	12mm

Available Colors	Item Number
Oil Rubbed Bronze	P-847.10B
Weathered Nickel	P-847.BNMDL
Satin Nickel	P-847.SN



P-433
Pull 3" CC

CASE QTY	250	WEIGHT/CASE	21 lbs
BOX QTY	25	PROJECTION	20mm
LENGTH	128mm	WIDTH	11mm

Available Colors	Item Number
Oil Rubbed Bronze	P-433.10B
Antique Brass	P-433.ABH
Polished Brass	P-433.PB
Satin Nickel	P-433.SN



P-3167
Pull 3" CC

CASE QTY	250	WEIGHT/CASE	33 lbs
BOX QTY	25	PROJECTION	25mm
LENGTH	120mm	WIDTH	13mm

Available Colors	Item Number
Oil Rubbed Bronze	P-3167.10B
Antique Silver	P-3167.SIM

P-259
Pull 3" CC

CASE QTY	250	WEIGHT/CASE	23 lbs
BOX QTY	25	PROJECTION	22mm
LENGTH	122mm	WIDTH	14mm

Available Colors	Item Number
Antique Brass	P-259.ABH
Satin Nickel	P-259.SN



P-904.SN
Pull 3" CC Satin Nickel

CASE QTY	250	WEIGHT/CASE	26 lbs
BOX QTY	25	PROJECTION	24mm
LENGTH	130mm	WIDTH	15mm

P-3131
Pull 3" CC

CASE QTY	250	WEIGHT/CASE	33 lbs
BOX QTY	25	PROJECTION	25mm
LENGTH	134mm	WIDTH	13mm

Available Colors	Item Number
Antique English Polished	P-3131.AEH
Satin Nickel	P-3131.SN



P-88

Pull 4" CC

CASE QTY	250	WEIGHT/CASE	33 lbs
BOX QTY	25	PROJECTION	24mm
LENGTH	130mm	WIDTH	12mm

Available Colors	Item Number
Oil Rubbed Bronze	P-88.10B
Antique Brass Machined	P-88.ABM



K-82929

Craftsman Knob

CASE QTY	250	WEIGHT/CASE	25 lbs
BOX QTY	25	PROJECTION	23mm
LENGTH	32mm	WIDTH	32mm

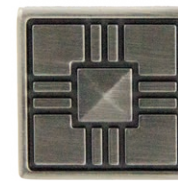
Available Colors	Item Number
Antique Pewter	K-82929.APH
Satin Nickel	K-82929.SN

P-81929

Craftsman Pull 128mm CC

CASE QTY	100	WEIGHT/CASE	32 lbs
BOX QTY	10	PROJECTION	23mm
LENGTH	136mm	WIDTH	20mm

Available Colors	Item Number
Antique Pewter	P-81929.APH
Satin Nickel	P-81929.SN



P-955

Rope Pull 3" CC

CASE QTY	250	WEIGHT/CASE	38 lbs
BOX QTY	25	PROJECTION	30mm
LENGTH	95mm	WIDTH	12mm

Available Colors	Item Number
Oil Rubbed Bronze	P-955.10B
Antique Copper	P-955.ACM
Weathered Nickel	P-955.BNMDL
Antique Silver	P-955.SIM
Satin Nickel	P-955.SN



K-82928

Fleur di Lis Knob

CASE QTY	250	WEIGHT/CASE	43 lbs
BOX QTY	25	PROJECTION	28mm
LENGTH	48mm	WIDTH	36mm

Available Colors	Item Number
Oil Rubbed Bronze	K-82928.10B
Antique Satin Brass	K-82928.ABSB
Satin Pewter	K-82928.APH

K-82393.SN

Diamond Knob Satin Nickel

CASE QTY	250	WEIGHT/CASE	26 lbs
BOX QTY	25	PROJECTION	24mm
LENGTH	35mm	WIDTH	25mm

P-81393.SN

Diamond Pull 96mm CC Satin Nickel

CASE QTY	250	WEIGHT/CASE	55 lbs
BOX QTY	25	PROJECTION	24mm
LENGTH	126mm	WIDTH	22mm



K-82142.SN

Knob with Finger Pull 20x26mm

CASE QTY	250	WEIGHT/CASE	18 lbs
BOX QTY	25	PROJECTION	26mm
LENGTH	26mm	WIDTH	20mm



K-8026.SN-2

45mm Oval Knob 16mm CC Satin Nickel

CASE QTY	250	WEIGHT/CASE	43 lbs
BOX QTY	BULK	PROJECTION	20mm
LENGTH	43mm	WIDTH	19mm

P-1011.BK

Mission Pull 3" CC Matte Black

CASE QTY	200	WEIGHT/CASE	56 lbs
BOX QTY	20	PROJECTION	42mm
LENGTH	96mm	WIDTH	9mm



P-1700.BK

Twist Bail Pull 4-1/2" CC Matte Black

CASE QTY	250	WEIGHT/CASE	58 lbs
BOX QTY	25	PROJECTION	41mm
LENGTH	157mm	WIDTH	12mm



R-1401.BK

Ring Pull Matte Black

CASE QTY	250	WEIGHT/CASE	11 lbs
BOX QTY	25	PROJECTION	50mm
LENGTH	36mm	WIDTH	5mm



R-1501.BK

Ring Pull Matte Black

CASE QTY	250	WEIGHT/CASE	21 lbs
BOX QTY	25	PROJECTION	50mm
LENGTH	36mm	WIDTH	5mm



K-1012.BK

Mission Knocker Matte Black

CASE QTY	250	WEIGHT/CASE	33 lbs
BOX QTY	25	PROJECTION	60mm
LENGTH	48mm	WIDTH	96mm



K-7141.BLAE

1-1/4 Knob Antique Black W/O screws Bulk Pack

CASE QTY	250	WEIGHT/CASE	18 lbs
BOX QTY	BULK	PROJECTION	21mm
DIAMETER			31.7mm



R-1701.BK

Ring Pull Matte Black

CASE QTY	250	WEIGHT/CASE	33 lbs
BOX QTY	25	PROJECTION	55mm
LENGTH	46mm	WIDTH	10mm



CH-1003.PC

Single Coat Hook Polished Chrome

CASE QTY	250	WEIGHT/CASE	18 lbs
BOX QTY	25	PROJECTION	41.5mm
LENGTH	38mm	WIDTH	31mm



CH-8363.PC

Side by Side Double Coat Hook Polished Chrome

CASE QTY	250	WEIGHT/CASE	26 lbs
BOX QTY	25	PROJECTION	30mm
LENGTH	32mm	WIDTH	56mm



CH-81160.BK

Vertical Double Coat Hook Matte Black

CASE QTY	250	WEIGHT/CASE	26 lbs
BOX QTY	25	PROJECTION	78.5mm
LENGTH	30mm	WIDTH	56mm



CH-81160.PC

Vertical Double Coat Hook Polished Chrome

CASE QTY	250	WEIGHT/CASE	26 lbs
BOX QTY	25	PROJECTION	78.5mm
LENGTH	30mm	WIDTH	56mm

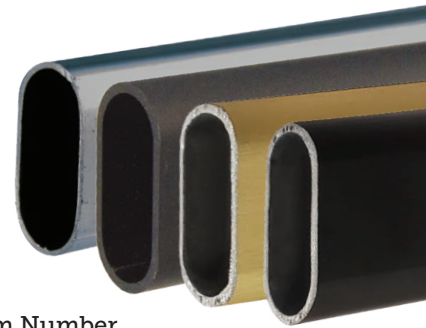


CW-TY30.CP

Tie & Belt Hook Chrome Plated; 22mmx35mm

CASE QTY	2,000	WEIGHT/CASE	29 lbs
BOX QTY	BULK	PROJECTION	35mm
LENGTH	22mm	WIDTH	4mm





CR-50
Closet Rod 8 Ft Oval
30mm x 15mm x 1.0mm

8' 1mm

Available Colors	Item Number
Chrome Plated	CR-50.CP (Case: 10 Steel)
Matte Black	CR-50.BK (Case: 10 Steel)
Satin Nickel	CR-50.SN (Case: 10 Steel)

CR-51.CP
Closet Rod 12 Ft Oval
30mm x 15mm x 1.0mm Steel Chrome Plated

12' 1mm

Available Colors	Item Number
Chrome Plated	CR-51.CP (Case: 10)

CR-52
Closet Rod 8 Ft Oval
30mm x 15mm x 1.5mm Aluminum

8' 1.5mm

Available Colors	Item Number
Satin Brass	CR-52.SB (Case: 20)
Oil Rubbed Bronze	CR-52.ORB (Case: 20 Alum)

CR-75.CP
Closet Rod 6 Ft Round
1-1/16 Dia x 1.2mm Steel Chrome Plated

6' 1-1/16 Dia 1.2mm

Available Colors	Item Number
Chrome Plated	CR-75.CP (Case: 10)

CR-70
Closet Rod 8 Ft Round
1-1/16 Dia x 1.2mm Steel Chrome Plated

8' 1-1/16 Dia 1.2mm

Available Colors	Item Number
Chrome Plated	CR-70.CP (Case: 10)
Matte Black	CR-70.BK (Case: 10)
Satin Nickel	CR-70.SN (Case: 10)

CR-77.CP
Closet Rod 10 Ft Round
1-1/16 Dia x 1.2mm Steel Chrome Plated

10' 1-1/16 Dia 1.2mm

Available Colors	Item Number
Chrome Plated	CR-77.CP (Case: 10)

CR-72.CP
Closet Rod 12 Ft Round
1-1/16 Dia x 1.2mm Steel Chrome Plated

12' 1-1/16 Dia 1.2mm

Available Colors	Item Number
Chrome Plated	CR-72.CP (Case: 10)

CR-71.CP
Closet Rod 8 Ft Round Heavy Duty
1-1/16 Dia x 2.0mm Steel Chrome Plated

8' 1-1/16 Dia 2mm

Available Colors	Item Number
Chrome Plated	CR-71.CP (Case: 5)

CR-73.CP
Closet Rod 12 Ft Round Heavy Duty
1-1/16 Dia x 2.0mm Steel Chrome Plated

12' 1-1/16 Dia 2mm

Available Colors	Item Number
Chrome Plated	CR-73.CP (Case: 5)

CR-60.CP
Closet Rod 8 Ft Round
1-1/4 Dia x 1.2mm Steel Chrome Plated

8' 1-1/4 Dia 1.2mm

Available Colors	Item Number
Chrome Plated	CR-60.CP (Case: 10)

CR-62.CP
Closet Rod 12 Ft Round
1-1/4 Dia x 1.2mm Steel Chrome Plated

12' 1-1/4 Dia 1.2mm

Available Colors	Item Number
Chrome Plated	CR-62.CP (Case: 10)

CR-80
Closet Rod 8 Ft Round Heavy Duty
1-5/16 Dia x 2.0mm

8' 1-5/16 Dia 2mm

Available Colors	Item Number
Chrome Plated	CR-80.CP (Case: 5 Steel)
Oil Rubbed Bronze	CR-80.ORB (Case: 20 Alum)
Matte Black	CR-80.BK (Case: 5 Steel)
Satin Nickel	CR-80.SN (Case: 5 Steel)

CR-81.CP
Closet Rod 12 Ft Round Heavy Duty
1-5/16 Dia x 2.0mm Steel Chrome Plated

12' 1-5/16 Dia 2mm

Available Colors	Item Number
Chrome Plated	CR-81.CP (Case: 5)



CRCS-58
Closet Rod Oval Center Support

Available Colors	Item Number	
Oil Rubbed Bronze	CRCS-58.ORB	Box: 50
Matte Black	CRCS-58.BK	Box: 50
Chrome Plated	CRCS-58.CP	Box: 50
Satin Brass	CRCS-58.SB	Box: 50
Satin Nickel	CRCS-58.SN	Box: 50



CRCS-68.CP
Closet Rod 1-1/4 Round Center Support

Available Colors	Item Number	
Chrome Plated	CRCS-68.CP	Box: 20



CRS-54
Closet Rod Oval Socket Screw On

Available Colors	Item Number	
Oil Rubbed Bronze	CRS-54.ORB	Box: 100
Matte Black	CRS-54.BK	Box: 100
Chrome Plated	CRS-54.CP	Box: 100
Satin Brass	CRS-54.SB	Box: 100
Satin Nickel	CRS-54.SN	Box: 100



CRS-56
Closet Rod Oval Socket w/ 5mm Pins

Available Colors	Item Number	
Oil Rubbed Bronze	CRS-56.ORB	Box: 100
Matte Black	CRS-56.BK	Box: 100
Chrome Plated	CRS-56.CP	Box: 100
Satin Brass	CRS-56.SB	Box: 100
Satin Nickel	CRS-56.SN	Box: 100



CRS-64.CP
Closet Rod 1-1/4 Round Socket Open End

Available Colors	Item Number	
Chrome Plated	CRS-64.CP	Box: 50



CRS-66.CP
Closet Rod 1-1/4 Round Socket Closed

Available Colors	Item Number	
Chrome Plated	CRS-66.CP	Box: 50



Closet Rod Fittings

FOR
1-1/16
Dia



CRS-74
Closet Rod 1-1/16 Round Socket Open End

Available Colors	Item Number	Box: 500
Chrome Plated	CRS-74.CP	Box: 500
Matte Black	CRS-74.BK	Box: 500
Satin Nickel	CRS-74.SN	Box: 500

FOR
1-1/16
Dia



CRCS-78
Closet Rod 1-1/16 Round Center Support

Available Colors	Item Number	Box: 25
Chrome Plated	CRCS-78.CP	Box: 25
Matte Black	CRCS-78.BK	Box: 25

FOR
1-1/16
Dia



CRS-76
Closet Rod 1-1/16 Round Socket Closed

Available Colors	Item Number	Box: 50
Chrome Plated	CRS-76.CP	Box: 50
Matte Black	CRS-76.BK	Box: 50
Satin Nickel	CRS-76.SN	Box: 50

FOR
1-5/16
Dia



CRCS-88
Closet Rod 1-5/16 Round Center Support

Available Colors	Item Number	Box: 25
Chrome Plated	CRCS-88.CP	Box: 25
Oil Rubbed Bronze	CRCS-88.ORB	Box: 25

FOR
1-5/16
Dia



CRS-84
Closet Rod 1-5/16 Round Socket Open End

Available Colors	Item Number	Box: 20
Oil Rubbed Bronze	CRS-84.ORB	Box: 20
Chrome Plated	CRS-84.CP	Box: 20
Matte Black	CRS-84.BK	Box: 20
Satin Nickel	CRS-84.SN	Box: 20

FOR
1-5/16
Dia



CRS-86
Closet Rod 1-5/16 Round Socket w/ 5mm Pins Open End

Available Colors	Item Number	Box: 500
Oil Rubbed Bronze	CRS-86.ORB	Box: 500
Chrome Plated	CRS-86.CP	Box: 500

FOR
1-5/16
Dia



CRS-85
Closet Rod 1-5/16 Round Socket Closed

Available Colors	Item Number	Box: 20
Oil Rubbed Bronze	CRS-85.ORB	Box: 20
Chrome Plated	CRS-85.CP	Box: 20
Matte Black	CRS-85.BK	Box: 20
Satin Nickel	CRS-85.SN	Box: 20

FOR
1-5/16
Dia



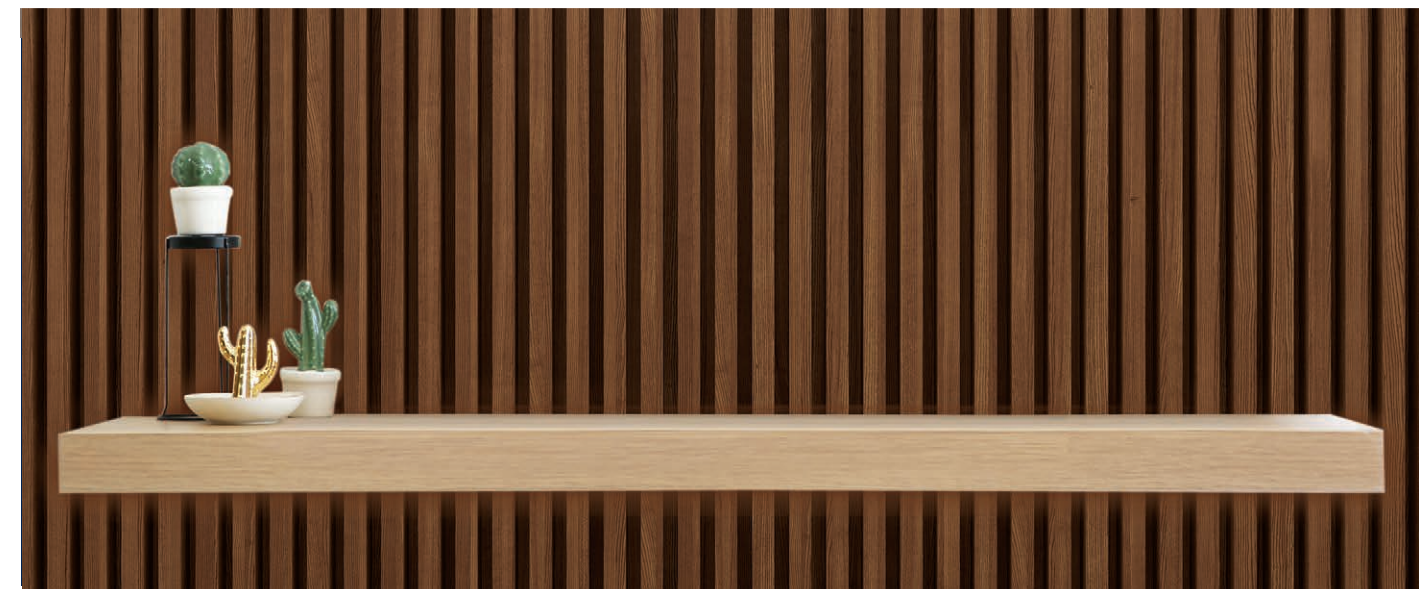
CRS-87
Closet Rod 1-5/16 Round Socket w/ 5mm Pins Closed

Available Colors	Item Number	Box: 500
Oil Rubbed Bronze	CRS-87.ORB	Box: 500
Chrome Plated	CRS-87.CP	Box: 500



PRIDE INDUSTRIAL
DECORATIVE HARDWARE
FUNCTIONAL HARDWARE
& MORE

DECORATIVE WOOD





PRIDE INDUSTRIAL®
 DECORATIVE HARDWARE
 FUNCTIONAL HARDWARE
 & MORE

FLOATING SHELVES



Maple



Walnut



White Oak

Floating Shelf With 2 pcs brackets

FSM1012
 Weight 6.05 lbs
 Width 10"
 Length 12"
 Thickness 2.5"
 Wt. Capacity 22.5 lbs

FSWALNUT12
 Weight 5.17 lbs
 Width 10"
 Length 12"
 Thickness 2.5"
 Wt. Capacity 22.5 lbs

FSWTOAK12
 Weight 4.84 lbs
 Width 10"
 Length 12"
 Thickness 2.5"
 Wt. Capacity 22.5 lbs

FSM1024
 Weight 8.91 lbs
 Width 10"
 Length 24"
 Thickness 2.5"
 Wt. Capacity 30 lbs

FSWALNUT24
 Weight 8.58 lbs
 Width 10"
 Length 24"
 Thickness 2.5"
 Wt. Capacity 30 lbs

FSWTOAK24
 Weight 8.25 lbs
 Width 10"
 Length 24"
 Thickness 2.5"
 Wt. Capacity 30 lbs

FSM1030
 Weight 10.89 lbs
 Width 10"
 Length 30"
 Thickness 2.5"
 Wt. Capacity 37.5 lbs

FSWALNUT30
 Weight 10.45 lbs
 Width 10"
 Length 30"
 Thickness 2.5"
 Wt. Capacity 37.5 lbs

FSWTOAK30
 Weight 10.45 lbs
 Width 10"
 Length 30"
 Thickness 2.5"
 Wt. Capacity 37.5 lbs

Floating Shelf With 3 pcs brackets

FSM1036
 Weight 13.09 lbs
 Width 10"
 Length 36"
 Thickness 2.5"
 Wt. Capacity 45 lbs

FSWALNUT36
 Weight 12.43 lbs
 Width 10"
 Length 36"
 Thickness 2.5"
 Wt. Capacity 45 lbs

FSWTOAK36
 Weight 12.10 lbs
 Width 10"
 Length 36"
 Thickness 2.5"
 Wt. Capacity 45 lbs

FSM1042
 Weight 14.96 lbs
 Width 10"
 Length 42"
 Thickness 2.5"
 Wt. Capacity 52.5 lbs

FSWALNUT42
 Weight 14.08 lbs
 Width 10"
 Length 42"
 Thickness 2.5"
 Wt. Capacity 52.5 lbs

FSWTOAK42
 Weight 13.86 lbs
 Width 10"
 Length 42"
 Thickness 2.5"
 Wt. Capacity 52.5 lbs

FSBRKT
 Brackets with screws for
 Float
 Weight 0.33lbs each



PRIDE INDUSTRIAL®
 DECORATIVE HARDWARE
 FUNCTIONAL HARDWARE
 & MORE

DECORATIVE WOOD



CORBEL-KL-
 Craftsman Corbel
 13.75 x 8 x 5

Species	Item Number
Alder	CORBEL-KL-AL
Maple	CORBEL-KL-MP
Rubberwood	CORBEL-KL-RW



CORBEL-K-
 Craftsman Corbel
 10 x 7 x 3.5

Species	Item Number
Alder	CORBEL-K-AL
Rubberwood	CORBEL-K-RW



CORBEL-A-15-
 Contemp Corbel
 10.1 x 3.75 x 5.375

Species	Item Number
Alder	CORBEL-A-15-AL
Maple	CORBEL-A-15-MP
Rubberwood	CORBEL-A-15-RW



CORBEL-M-13-
 Shaker Corbel
 9 x 4.1 x 3.15

Species	Item Number
Alder	CORBEL-M-13-AL
Maple	CORBEL-M-13-MP
Rubberwood	CORBEL-M-13-RW



CORBEL-M-14-
 Shaker Corbel
 14 x 6.375 x 4.9

Species	Item Number
Alder	CORBEL-M-14-AL



POST-K-
 Square Fluted Post
 35.25 x 3.5 x 3.5

Species	Item Number
Maple	POST-K-MP
Rubberwood	POST-K-RW

POST-K-5X42-
 Square Fluted Post
 42 x 5 x 5

Species	Item Number
Maple	POST-K-5X42-MP
Rubberwood	POST-K-5X42-RW

POST-X-
 Shaker Post
 35.25 x 3.5 x 3.5

Species	Item Number
Maple	POST-X-MP
Rubberwood	POST-X-RW



POST-X-5X42-
 Shaker Post
 42 x 5 x 5

Species	Item Number
Alder	POST-X-5X42-AL
Maple	POST-X-5X42-MP
Rubberwood	POST-X-5X42-RW

POST-S-
 Square Post
 35.25 x 3.5 x 3.5

Species	Item Number
Alder	POST-S-AL
Maple	POST-S-MP
Rubberwood	POST-S-RW

POST-S-5X42-
 Square Post
 42 x 5 x 5

Species	Item Number
Alder	POST-S-5X42-AL
Maple	POST-S-5X42-MP
Rubberwood	POST-S-5X42-RW



PRIDE INDUSTRIAL®
 DECORATIVE HARDWARE
 FUNCTIONAL HARDWARE
 & MORE

DECORATIVE WOOD



POST-A-H-
 Turned Half Post
 1-3/4 x 3-1/2 x 35-1/4

Species	Item Number
Alder	POST-A-H-AL
Maple	POST-A-H-MP
Rubberwood	POST-A-H-RW



POST-B-H-
 Reed Half Post
 1-3/4 x 3-1/2 x 35-1/4

Species	Item Number
Rubberwood	POST-B-H-RW



POST-C-H-
 Rope Half Post
 1-3/4 x 3-1/2 x 35-1/4

Species	Item Number
Alder	POST-C-H-AL
Maple	POST-C-H-MP
Rubberwood	POST-C-H-RW



PRIDE INDUSTRIAL®
 DECORATIVE HARDWARE
 FUNCTIONAL HARDWARE
 & MORE

POST COLLECTION



POST-A-
 Turned Post
 3-1/2 x 3-1/2 x 35-1/4

Species	Item Number
Maple	POST-A-MP
Red Oak	POST-A-RO
Rubberwood	POST-A-RW

Also available in 3-1/2" x 3-1/2" x 42"
POST-A-42-(SPECIES)
 AL, MP, RW



POST-B-
 Reed Post
 3-1/2 x 3-1/2 x 35-1/4

Species	Item Number
Alder	POST-B-AL
Maple	POST-B-MP
Rubberwood	POST-B-RW

Also available in 3-1/2" x 3-1/2" x 42"
POST-B-42-(SPECIES)
 RO, RW



POST-C-
 Rope Post
 3-1/2 x 3-1/2 x 35-1/4

Species	Item Number
Alder	POST-C-AL
Rubberwood	POST-C-RW

Also available in 3-1/2" x 3-1/2" x 42"
POST-C-42-(SPECIES)
 MP, RW



POST-E-H-
 Turned Half Post
 3-3/4 x 1-7/8 x 35-1/4

Species	Item Number
Rubberwood	POST-E-H-RW



POST-G-H-
 Tuscan Half Post
 3-1/2 x 1-3/4 x 35-1/4

Species	Item Number
Rubberwood	POST-G-H-RW



POST-M-H-
 Mission Half Post
 3-1/2 x 1-3/4 x 35-1/4

Species	Item Number
Alder	POST-M-H-AL
Rubberwood	POST-M-H-RW



POST-D-
 Tapered Fluted Post
 3-3/4 x 3-3/4 x 35-1/4

Species	Item Number
Alder	POST-D-AL
Maple	POST-D-MP
Rubberwood	POST-D-RW

Also available in 3-1/2" x 3-1/2" x 42"
POST-D-42-(Species)
 RW



POST-E-
 Turned Post
 3-3/4 x 3-3/4 x 35-1/4

Species	Item Number
Alder	POST-E-AL
Maple	POST-E-MP
Rubberwood	POST-E-RW

Also available in 3-1/2" x 3-1/2" x 42"
POST-E-42-AL (Alder)



POST-G-
 Tuscan Post
 3-1/2 x 3-1/2 x 35-1/4

Species	Item Number
Alder	POST-G-AL
Maple	POST-G-MP
Red Oak	POST-G-RO
Rubberwood	POST-G-RW

Also available in 3-1/2" x 3-1/2" x 42"
POST-G-42-AL (Alder)



DECORATIVE WOOD



POST-J-
 Turned Post
 3-3/4 x 3-3/4 x 34-1/2

Species	Item Number
Rubberwood	POST-J-RW

POST-M-
 Mission Post
 3-1/2 x 3-1/2 x 35-1/4

Species	Item Number
Alder	POST-M-AL
Maple	POST-M-MP

POST-T-
 Modern Timeless Post
 3-1/2" x 3-1/2" x 35-1/2"

Species	Item Number
Alder	POST-T-AL
Maple	POST-T-MP
Rubberwood	POST-T-RW



POST COLLECTION



POST-F-5X36-
 Acanthus Post
 5 x 5 x 36

Species	Item Number
Alder	POST-F-5X36-AL
Red Oak	POST-F-5X36-RO
Rubberwood	POST-F-5X36-RW

POST-G-5X36-
 Tuscan Post
 5 x 5 x 36

Species	Item Number
Alder	POST-G-5X36-AL
Rubberwood	POST-G-5X36-RW

POST-M-5X36-
 Mission Post
 5 x 5 x 36

Species	Item Number
Maple	POST-M-5X36-MP
Rubberwood	POST-M-5X36-RW



POST-A-5X36-
 Turned Post
 5 x 5 x 36

Species	Item Number
Alder	POST-A-5X36-AL
Maple	POST-A-5X36-MP
Red Oak	POST-A-5X36-RO
Rubberwood	POST-A-5X36-RW

POST-B-5X36-
 Reed Post
 5 x 5 x 36

Species	Item Number
Rubberwood	POST-B-5X36-RW

POST-C-5X36-
 Rope Post
 5 x 5 x 36

Species	Item Number
Alder	POST-C-5X36-AL
Rubberwood	POST-C-5X36-RW



POST-A-5X42-
 Turned Post
 5 x 5 x 42

Species	Item Number
Red Oak	POST-A-5X42-RO
Rubberwood	POST-A-5X42-RW

POST-C-5X42-
 Rope Post
 5 x 5 x 42

Species	Item Number
Maple	POST-C-5X42-MP



PRIDE INDUSTRIAL[®]
 DECORATIVE HARDWARE
 FUNCTIONAL HARDWARE
 & MORE

DECORATIVE WOOD



CORBEL-M-5-
 Small Mission Corbel
 4-1/2 x 5 x 10

Species	Item Number
Maple	CORBEL-M-5-MP
Rubberwood	CORBEL-M-5-RW

CORBEL-M-6-
 Medium Mission Corbel
 5-1/4 x 7 x 14

Species	Item Number
Alder	CORBEL-M-6-AL
Maple	CORBEL-M-6-MP
Rubberwood	CORBEL-M-6-RW

CORBEL-M-7-
 Large Mission Corbel
 6-3/4 x 7-3/4 x 22

Species	Item Number
Maple	CORBEL-M-7-MP
Rubberwood	CORBEL-M-7-RW



PRIDE INDUSTRIAL[®]
 DECORATIVE HARDWARE
 FUNCTIONAL HARDWARE
 & MORE

CORBEL COLLECTION & BAR BRACKETS



CORBEL-M-10-
 Small Modern Corbel
 4 x 5 x 10

Species	Item Number
Rubberwood	CORBEL-M-10-RW

CORBEL-M-11-
 Medium Modern Corbel
 5 x 6-1/2 x 14

Species	Item Number
Alder	CORBEL-M-11-AL
Maple	CORBEL-M-11-MP
Rubberwood	CORBEL-M-11-RW



CORBEL-T-1-
 Small Traditional Corbel
 4-1/2 x 5-1/4 x 10

Species	Item Number
Alder	CORBEL-T-1-AL
Maple	CORBEL-T-1-MP
Red Oak	CORBEL-T-1-RO
Rubberwood	CORBEL-T-1-RW

CORBEL-T-2-
 Medium Traditional Corbel
 5 x 7 x 14

Species	Item Number
Alder	CORBEL-T-2-AL
Maple	CORBEL-T-2-MP
Rubberwood	CORBEL-T-2-RW

CORBEL-T-3-
 Large Traditional Corbel
 6-3/4 x 7-1/2 x 22

Species	Item Number
Rubberwood	CORBEL-T-3-RW



CORBEL-M-1-
 Small Mission Corbel
 2 x 5 x 8

Species	Item Number
Alder	CORBEL-M-1-AL
Maple	CORBEL-M-1-MP
Rubberwood	CORBEL-M-1-RW

CORBEL-M-2-
 Medium Mission Corbel
 3 x 9 x 12

Species	Item Number
Alder	CORBEL-M-2-AL
Maple	CORBEL-M-2-MP
Red Oak	CORBEL-M-2-RO
Rubberwood	CORBEL-M-2-RW

CORBEL-M-4-
 Narrow Mission Corbel
 2-1/2 x 6-1/2 x 12

Species	Item Number
Alder	CORBEL-M-4-AL
Maple	CORBEL-M-4-MP
Rubberwood	CORBEL-M-4-RW



DECORATIVE WOOD



CORBEL-B-
 Classic Corbel "B"
 1-3/4 x 8-3/8 x 10-7/8

Species	Item Number
Alder	CORBEL-B-AL
Rubberwood	CORBEL-B-RW



CORBEL-C-
 Tuscan Corbel "C"
 1-3/4 x 8-3/8 x 10-3/4

Species	Item Number
Alder	CORBEL-C-AL
Maple	CORBEL-C-MP
Rubberwood	CORBEL-C-RW



CORBEL-D-
 Euro Bar Bracket
 1-1/4 x 8 x 12

Species	Item Number
Alder	CORBEL-D-AL
Maple	CORBEL-D-MP
Rubberwood	CORBEL-D-RW



TBS-
 Transition Block Short
 2-3/4 x 1-7/8 x 6

Species	Item Number
Maple	TBS-MP
Red Oak	TBS-RO
Rubberwood	TBS-RW



TBT-
 Transition Block Tall
 2-7/8 x 1-7/8 x 9-7/8

Species	Item Number
Alder	TBT-AL
Maple	TBT-MP
Red Oak	TBT-RO
Rubberwood	TBT-RW



CORBEL-A-4-
 Acanthus Bar Bracket
 3-1/2 x 7-3/4 x 13

Species	Item Number
Rubberwood	CORBEL-A-4-RW



CORBEL-M-8-
 Modern Deco Bar Bracket
 2-3/4 x 8-11/16 x 12-5/8

Species	Item Number
Alder	CORBEL-M-8-AL
Rubberwood	CORBEL-M-8-RW



CORBEL-M-9-
 Modern Leaf Bar Bracket
 2-3/4 x 8-11/16 x 12-5/8

Species	Item Number
Alder	CORBEL-M-9-AL
Maple	CORBEL-M-9-MP
Rubberwood	CORBEL-M-9-RW



CORBEL-T-7-
 Small Modern Craft Corbel
 1-3/4 x 5 x 7

Species	Item Number
Alder	CORBEL-T-7-AL
Rubberwood	CORBEL-T-7-RW



CORBEL-T-8-
 Medium Modern Craft
 1-3/4 x 7-1/4 x 9-1/4

Species	Item Number
Alder	CORBEL-T-8-AL
Maple	CORBEL-T-8-MP
Rubberwood	CORBEL-T-8-RW



**CORBEL COLLECTION
 & BAR BRACKETS**



PRIDE INDUSTRIAL®
 DECORATIVE HARDWARE
 FUNCTIONAL HARDWARE
 & MORE

DECORATIVE WOOD



CORBEL-T-4-
 Traditional Bar Bracket
 3-3/8 x 7-3/4 x 13

Species	Item Number
Alder	CORBEL-T-4-AL
Maple	CORBEL-T-4-MP
Rubberwood	CORBEL-T-4-RW



CORBEL-A-3-
 Large Acanthus Corbel
 6-3/4 x 7-3/4 x 22

Species	Item Number
Rubberwood	CORBEL-A-3-RW



CORBEL-A-2-
 Medium Acanthus Corbel
 5 x 7 x 14

Species	Item Number
Alder	CORBEL-A-2-AL
Maple	CORBEL-A-2-MP
Rubberwood	CORBEL-A-2-RW



CORBEL-A-1-
 Small Acanthus Corbel
 4-5/8 x 5-1/4 x 10

Species	Item Number
Maple	CORBEL-A-1-MP
Rubberwood	CORBEL-A-1-RW



PRIDE INDUSTRIAL®
 DECORATIVE HARDWARE
 FUNCTIONAL HARDWARE
 & MORE

**CORBEL COLLECTION
 & BAR BRACKETS**



CORBEL-BW-1-
 Basket Weave Corbel
 4-1/2 x 5 x 10

Species	Item Number
Rubberwood	CORBEL-BW-1-RW



CORBEL-BW-5-
 Basket Weave Corbel
 3 x 3-1/2 x 13

Species	Item Number
Rubberwood	CORBEL-BW-5-RW



CORBEL-A-5-
 Low Profile Acanthus Corbel
 2-3/4 x 1-3/8 x 6

Species	Item Number
Alder	CORBEL-A-5-AL
Maple	CORBEL-A-5-MP
Rubberwood	CORBEL-A-5-RW



CORBEL-A-6-
 Low Profile Acanthus Corbel
 3-1/2 x 1-1/2 x 8

Species	Item Number
Alder	CORBEL-A-6-AL
Maple	CORBEL-A-6-MP
Rubberwood	CORBEL-A-6-RW



CORBEL-A-7-
 Low Profile Acanthus Corbel
 4-1/2 x 1-3/4 x 10

Species	Item Number
Alder	CORBEL-A-7-AL
Maple	CORBEL-A-7-MP
Rubberwood	CORBEL-A-7-RW



DECORATIVE WOOD



CORBEL-A-9-
 Low Profile Acanthus Corbel
 2-3/4 x 1-1/2 x 4-1/2
Species **Item Number**
 Rubberwood CORBEL-A-9-RW

CORBEL-A-10-
 Low Profile Acanthus Corbel
 3-1/2 x 1-1/4 x 5-1/2
Species **Item Number**
 Alder CORBEL-A-10-AL
 Rubberwood CORBEL-A-10-RW

CORBEL-A-11-
 Low Profile Acanthus Corbel
 4-1/2 x 2 x 7
Species **Item Number**
 Rubberwood CORBEL-A-11-RW



CORBEL-BW-4-
 Mini Basket Weave Corbel
 3 x 2 x 4-1/2
Species **Item Number**
 Rubberwood CORBEL-BW-4-RW

CORBEL-T-5-
 Mini Traditional Corbel
 2-7/8 x 1-3/4 x 4-1/4
Species **Item Number**
 Rubberwood CORBEL-T-5-RW

CORBEL-A-8-
 Mini Acanthus Corbel
 3 x 1-3/4 x 4-1/4
Species **Item Number**
 Alder CORBEL-A-8-AL
 Rubberwood CORBEL-A-8-RW



ONLAY COLLECTION



ONLAY-1-S-
 Hand Carved Onlay
 20 x 4 x 3/4
Species **Item Number**
 Maple ONLAY-1-S-MP



ONLAY-1-M-
 Hand Carved Onlay
 24 x 5 x 3/4
Species **Item Number**
 Rubberwood ONLAY-1-M-RW



ONLAY-1-L-
 Hand Carved Onlay
 36 x 7-1/2 x 7/8
Species **Item Number**
 Maple ONLAY-1-L-MP



ONLAY-2-S-
 Hand Carved Onlay
 20 x 4-1/4 x 3/4
Species **Item Number**
 Rubberwood ONLAY-2-S-RW



ONLAY-2-M-
 Hand Carved Onlay
 24 x 5 x 3/4
Species **Item Number**
 Red Oak ONLAY-2-M-RO
 Rubberwood ONLAY-2-M-RW



ONLAY-2-L-
 Hand Carved Onlay
 36 x 7-1/2 x 7/8
Species **Item Number**
 Rubberwood ONLAY-2-L-RW



DECORATIVE WOOD



PED-C-
 Pedestal Foot Corner
 6-1/2 x 6-1/2 x 4

Species	Item Number
Alder	PED-C-AL
Maple	PED-C-MP
Rubberwood	PED-C-RW

PB-9-
 Plinth Block
 3-3/4 x 7 x 1

Species	Item Number
Rubberwood	PB-9-RW

PED-2-C-
 Pedestal Foot Corner
 8-1/4 x 8-1/4 x 4

Species	Item Number
Rubberwood	PED-2-C-RW



PED-L-
 Pedestal Foot Left
 6-1/8 x 4 x 2-1/2

Species	Item Number
Alder	PED-L-AL
Rubberwood	PED-L-RW

PED-M-
 Pedestal Foot Middle
 11-1/2 x 1-3/4

Species	Item Number
Alder	PED-M-AL

PED-R-
 Pedestal Foot Right
 6-1/8 x 4 x 2-1/2

Species	Item Number
Alder	PED-R-AL
Rubberwood	PED-R-RW



PED-CR-
 Rounded Pedestal Foot Corner
 7 x 7 x 4

Species	Item Number
Alder	PED-CR-AL
Rubberwood	PED-CR-RW

PED-3-L-
 Pedestal Foot Left
 6 x 4

Species	Item Number
Maple	PED-3-L-MP

PED-3-R-
 Pedestal Foot Right
 6 x 4

Species	Item Number
Maple	PED-3-R-MP
Rubberwood	PED-3-R-RW



BUNN FOOT COLLECTION



BUNN-1-
 Bunn Foot
 5 x 3

Species	Item Number
Alder	BUNN-1-AL
Maple	BUNN-1-MP
Rubberwood	BUNN-1-RW

BUNN-2-
 Turned Bunn Foot
 4 x 4

Species	Item Number
Alder	BUNN-2-AL
Maple	BUNN-2-MP
Rubberwood	BUNN-2-RW

BUNN-3-
 Turned Bunn Foot
 4 x 6

Species	Item Number
Maple	BUNN-3-MP
Rubberwood	BUNN-3-RW



BUNN-4-
 Crown Bunn Foot
 5 x 3

Species	Item Number
Alder	BUNN-4-AL
Rubberwood	BUNN-4-RW

BUNN-6-
 Square Bunn Foot
 3-7/8 x 3-7/8 x 4

Species	Item Number
Alder	BUNN-6-AL
Maple	BUNN-6-MP
Rubberwood	BUNN-6-RW

BUNN-7-
 Round Bunn Foot
 114mm x 103mm

Species	Item Number
Alder	BUNN-7-AL
Maple	BUNN-7-MP
Rubberwood	BUNN-7-RW



PRIDE INDUSTRIAL®
 DECORATIVE HARDWARE
 FUNCTIONAL HARDWARE
 & MORE

DECORATIVE WOOD



BUNN-8-

Square Bunn Foot
 4 x 4 x 4

Species	Item Number
Alder	BUNN-8-AL
Maple	BUNN-8-MP
Rubberwood	BUNN-8-RW



LEG-1-

Carved Leg
 3-1/2 x 3-1/2 x 5

Species	Item Number
Rubberwood	LEG-1-RW



LEG-3-

Ball & Claw Leg
 4-1/8 x 4-1/8 x 6

Species	Item Number
Alder	LEG-3-AL
Maple	LEG-3-MP
Rubberwood	LEG-3-RW



LEG-4-

Ball & Claw Leg
 4 x 4 x 8

Species	Item Number
Rubberwood	LEG-4-RW



LEG-6-

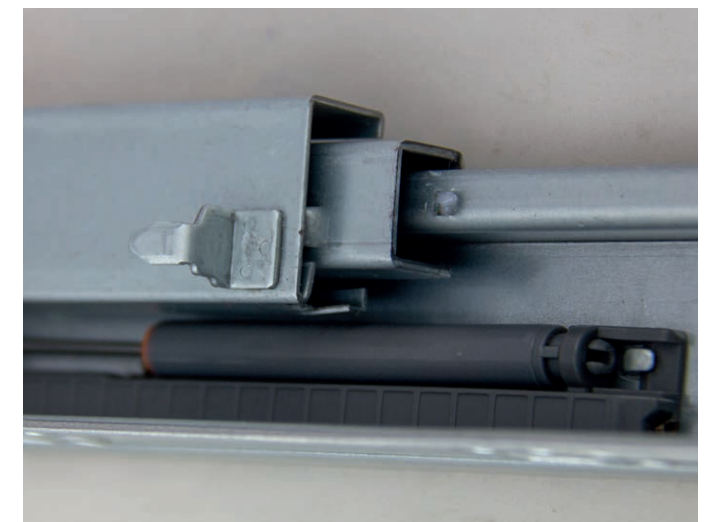
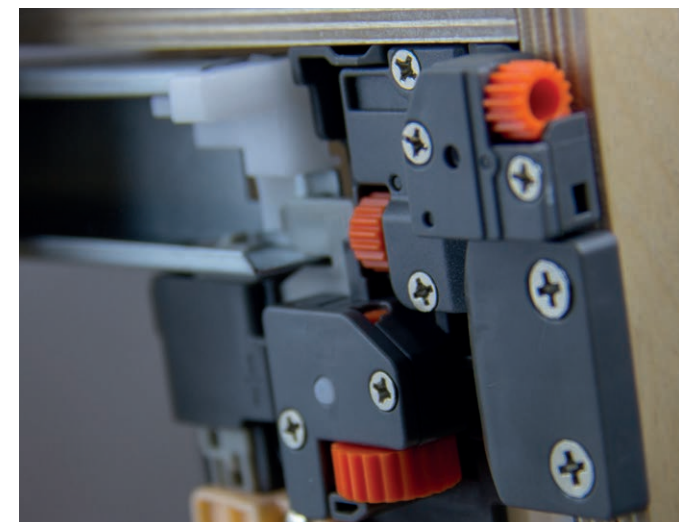
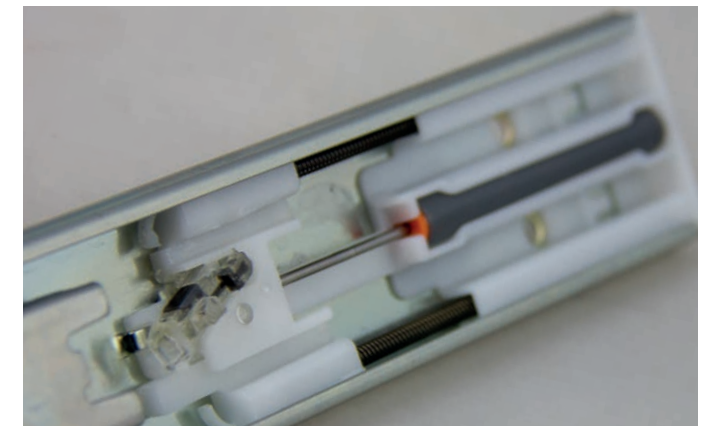
Queen Anne Leg
 4 x 4 x 6

Species	Item Number
Alder	LEG-6-AL
Rubberwood	LEG-6-RW



PRIDE INDUSTRIAL®
 DECORATIVE HARDWARE
 FUNCTIONAL HARDWARE
 & MORE

DRAWER SLIDES



Double Wall Undermount Soft Close Slide

- * 2-Way adjustable
- * Full Extension
- * Under Mounted
- * Lever Disconnect
- * Size: 12" ~ 22"
- * Load Capacity: 100 lbs
- * Material: Cold Rolled Steel
- * Case: 5 Pairs

GRAY COLOR

ITEM NUMBER	SIZE	HEIGHT
90-1288	300mm (12")	88mm
90-1488	350mm (14")	88mm
90-1688	400mm (16")	88mm
90-1888	450mm (18")	88mm
90-2088	500mm (20")	88mm
90-2288	550mm (22")	88mm
90-12126	300mm (12")	126mm
90-14126	350mm (14")	126mm
90-16126	400mm (16")	126mm
90-18126	450mm (18")	126mm
90-20126	500mm (20")	126mm
90-22126	550mm (22")	126mm
90-12172	300mm (12")	172mm
90-14172	350mm (14")	172mm
90-16172	400mm (16")	172mm
90-18172	450mm (18")	172mm
90-20172	500mm (20")	172mm
90-22172	550mm (22")	172mm
90-12238	300mm (12")	238mm
90-14238	350mm (14")	238mm
90-16238	400mm (16")	238mm
90-18238	450mm (18")	238mm
90-20238	500mm (20")	238mm
90-22238	550mm (22")	238mm

GALLERY RAILS

90-SIDERAIL12	300mm (12")
90-SIDERAIL14	350mm (14")
90-SIDERAIL16	400mm (16")
90-SIDERAIL18	450mm (18")
90-SIDERAIL20	500mm (20")
90-SIDERAIL22	550mm (22")

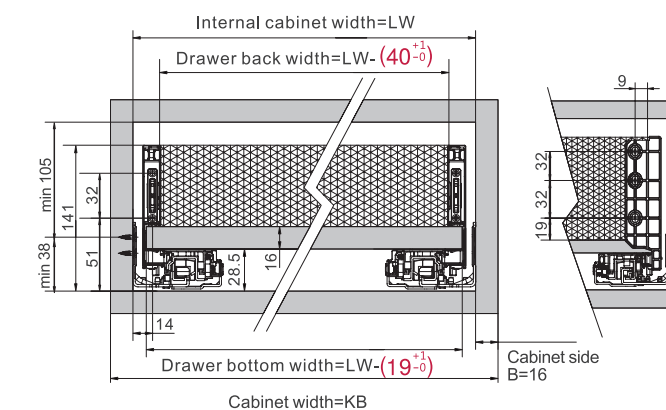
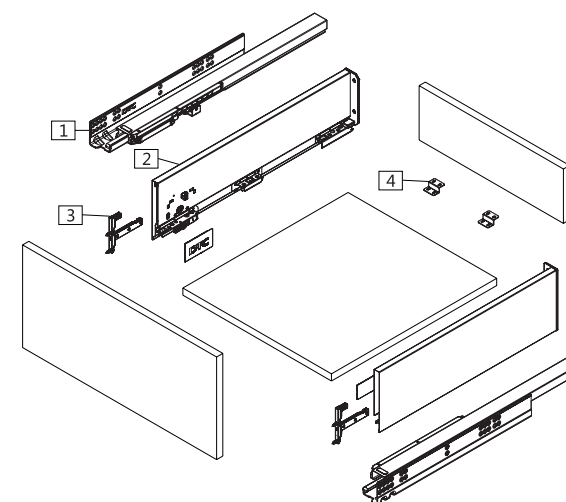
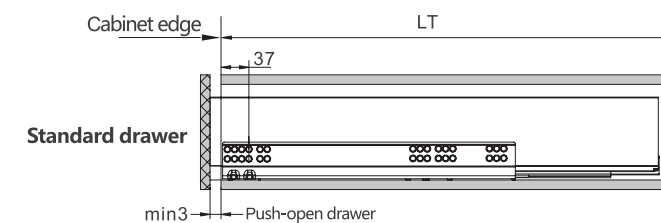


WHITE COLOR

ITEM NUMBER	SIZE	HEIGHT
90-1288W	300mm (12")	88mm
90-1488W	350mm (14")	88mm
90-1688W	400mm (16")	88mm
90-1888W	450mm (18")	88mm
90-2088W	500mm (20")	88mm
90-2288W	550mm (22")	88mm
90-12126W	300mm (12")	126mm
90-14126W	350mm (14")	126mm
90-16126W	400mm (16")	126mm
90-18126W	450mm (18")	126mm
90-20126W	500mm (20")	126mm
90-22126W	550mm (22")	126mm
90-12172W	300mm (12")	172mm
90-14172W	350mm (14")	172mm
90-16172W	400mm (16")	172mm
90-18172W	450mm (18")	172mm
90-20172W	500mm (20")	172mm
90-22172W	550mm (22")	172mm
90-12238W	300mm (12")	238mm
90-14238W	350mm (14")	238mm
90-16238W	400mm (16")	238mm
90-18238W	450mm (18")	238mm
90-20238W	500mm (20")	238mm
90-22238W	550mm (22")	238mm

GALLERY RAILS

90-SIDERAIL12W	300mm (12")	Special Order
90-SIDERAIL14W	350mm (14")	Special Order
90-SIDERAIL16W	400mm (16")	Special Order
90-SIDERAIL18W	450mm (18")	Special Order
90-SIDERAIL20W	500mm (20")	Special Order
90-SIDERAIL22W	550mm (22")	Special Order



Heavy Duty Undermount Soft Close Slide With 3D Locking Device

- * 6-Way Adjustable
- * Full Extension
- * Under Mounted

- * Size: 18" ~ 30"
- * Load Capacity: 140 lbs

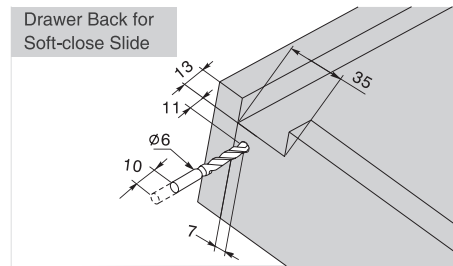
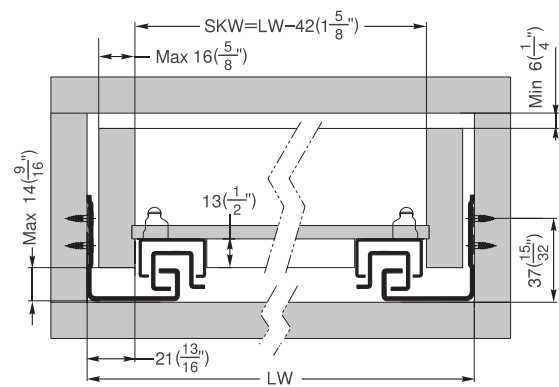
ITEM NUMBER

- 990318SOFT (6 Pairs)
- 990321SOFT (6 Pairs)
- 990324SOFT (3 Pairs)
- 990327SOFT (3 Pairs)
- 990330SOFT (3 Pairs)
- 9903CLIPS
- 9903BRKTM



9880-CLIPS INCLUDED

LW= Internal Cabinet Width



Drawer length	Runner length	Internal Cabinet Depth	
		Max	Min
457(18")	470(18 1/2")	522(20 9/16")	479(18 7/8")
533(21")	546(21 1/2")	598(23 9/16")	555(21 7/8")
610(24")	465(18 3/10")	—	634(24 31/32")
686(27")	505(19 9/10")	—	709(27 29/32")
762(30")	595(23 2/5")	—	786(30 15/16")

Soft Close Undermount Slide with 3-D Locking Device

- * 6-Way adjustable
- * Full Extension
- * Under Mounted
- * Lever Disconnect

- * Size: 9" ~ 21"
- * Load Capacity: 100 lbs
- * Material: Cold Rolled Steel
- * Case: 6 Pairs

ITEM NUMBER

- 98809SOFT
- 988012SOFT
- 988015SOFT
- 988018SOFT
- 988020SOFT
- 988021SOFT
- 9880CLIPS
- 9800BRKT
- 9810BRKT



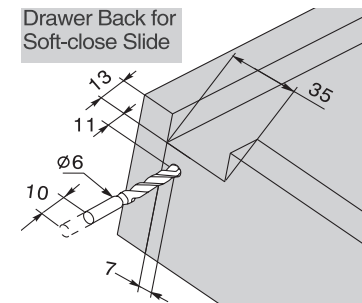
9800BRKT



9810BRKT



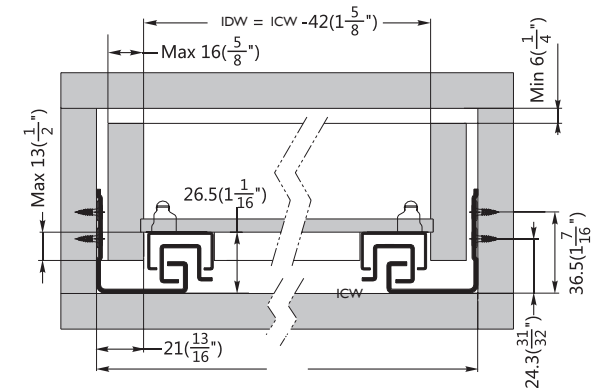
9880CLIPS INCLUDED



Installation for drawers between 12.7mm-16mm thick drawer sides

IDW= Internal Drawer Width
ICW= Internal Cabinet Width

Drawer length	Runner length	Internal Cabinet Depth	
		Max	Min
(12")	317(12 1/2")	369(14 9/16")	326(12 7/8")
(15")	394(15 1/2")	446(17 9/16")	403(15 7/8")
(18")	470(18 1/2")	522(20 9/16")	479(18 7/8")
(21")	546(21 1/2")	598(23 9/16")	555(21 7/8")



Outside Drawer Width

Drawer side Thickness	5/8" (16mm)	1/2" (13mm)
Inside Cabinet Width Deduction	3/8" (10mm)	5/8" (16mm)

PERFORM PRO 3/4 6X

(8834 Series)
SOFT-CLOSE UNDERMOUNT SLIDE

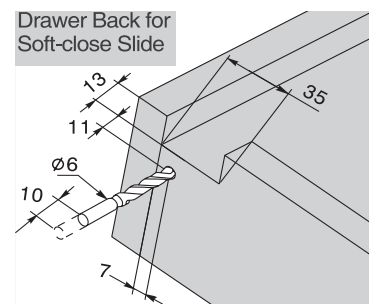
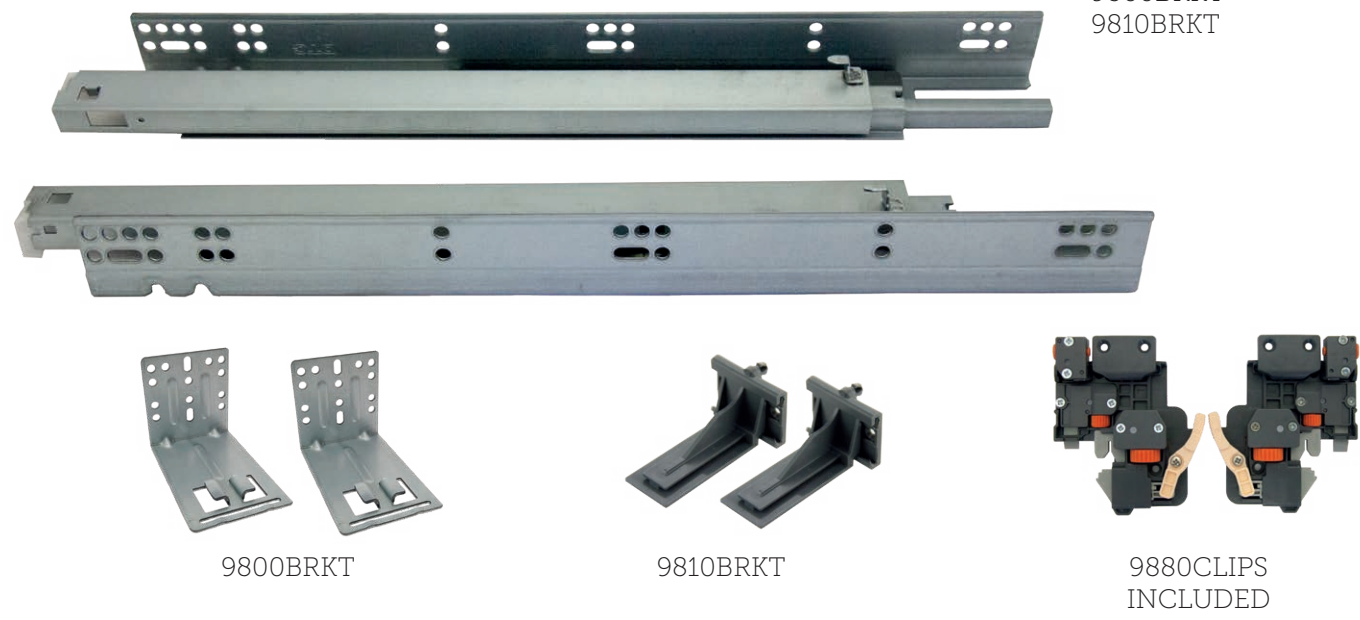
Soft Close Undermount Slide with 3-D Locking Device

Used for 3/4" material

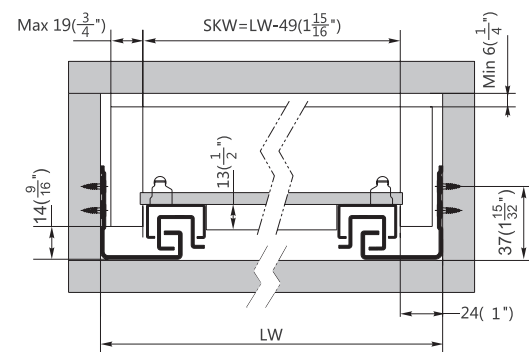
- * 6-Way adjustable
- * Full Extension
- * Under Mounted
- * Lever Disconnect
- * Size: 9" ~ 21"

- * Load Capacity: 100 lbs
- * Material: Cold Rolled Steel
- * Case: 6 Pairs
- * Available as Special Order

- ITEM NUMBER**
8834-12-SOFT
8834-15-SOFT
8834-18-SOFT
8834-21-SOFT
9880CLIPS
9800BRKT
9810BRKT



Installation
Dimensions (mm)
LW= Internal Cabinet Width



Outside Drawer Width

Drawer side Thickness	3/4" (19mm)
Inside Cabinet Width Deduction	7/16" (11mm)

Drawer length	Runner length	Internal Cabinet Depth	
		Max	Min
229(9")	256(10")	298(11 3/4")	283(11 1/8")
305(12")	317(12 1/2")	369(14 9/16")	326(12 7/8")
381(15")	394(15 1/2")	446(17 9/16")	403(15 7/8")
457(18")	470(18 1/2")	522(20 9/16")	479(18 7/8")
533(21")	546(21 1/2")	598(23 9/16")	555(21 7/8")

PERFORM PRO 2X

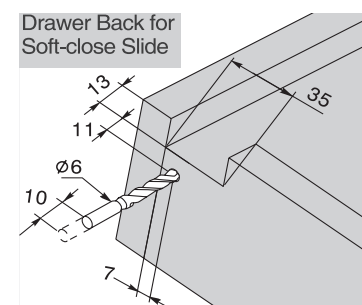
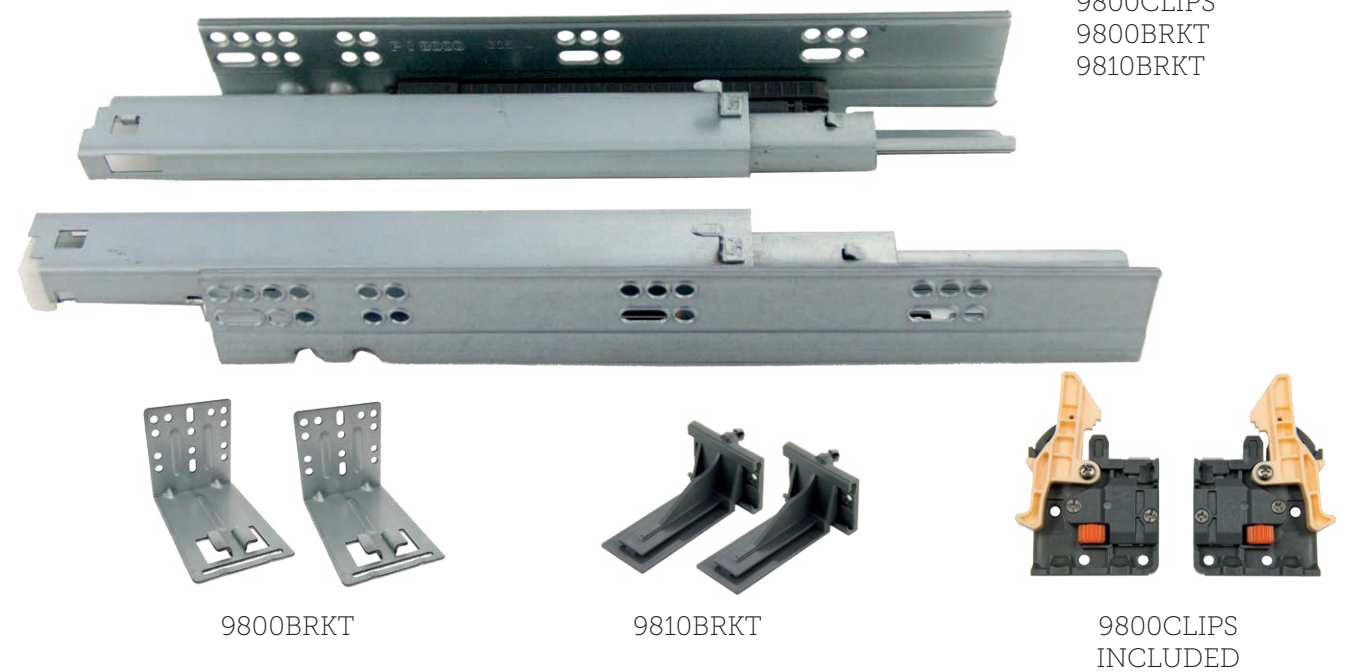
(9800 Series)
SOFT-CLOSE UNDERMOUNT SLIDE

Soft Close Concealed Undermount with height adjustment locking device

- * 2-Way adjustable
- * Full Extension
- * Under Mounted
- * Lever Disconnect

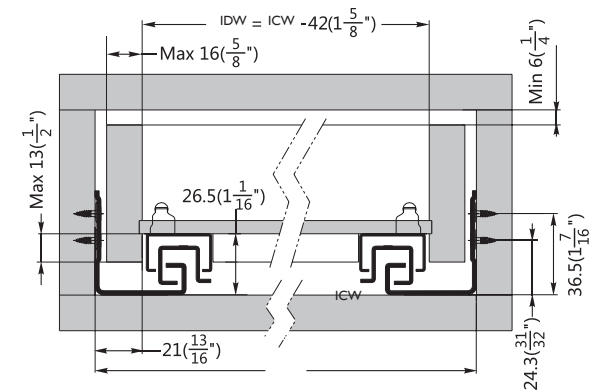
- * Size: 12" ~ 21"
- * Load Capacity: 90 lbs
- * Material: Cold Rolled Steel
- * Case: 6 Pairs

- ITEM NUMBER**
980012SOFT
980015SOFT
980018SOFT
980021SOFT
9800CLIPS
9800BRKT
9810BRKT



Installation for drawers
between 12.7mm-16mm
thick drawer sides

IDW= Internal Drawer Width
ICW= Internal Cabinet Width



Outside Drawer Width

Drawer side Thickness	5/8" (16mm)	1/2" (13mm)
Inside Cabinet Width Deduction	3/8" (10mm)	5/8" (16mm)

Drawer length	Runner length	Internal Cabinet Depth	
		Max	Min
(12")	317(12 1/2")	369(14 9/16")	326(12 7/8")
(15")	394(15 1/2")	446(17 9/16")	403(15 7/8")
(18")	470(18 1/2")	522(20 9/16")	479(18 7/8")
(21")	546(21 1/2")	598(23 9/16")	555(21 7/8")

PERFORM PRO 3/4 2X

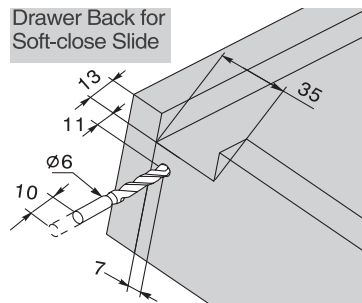
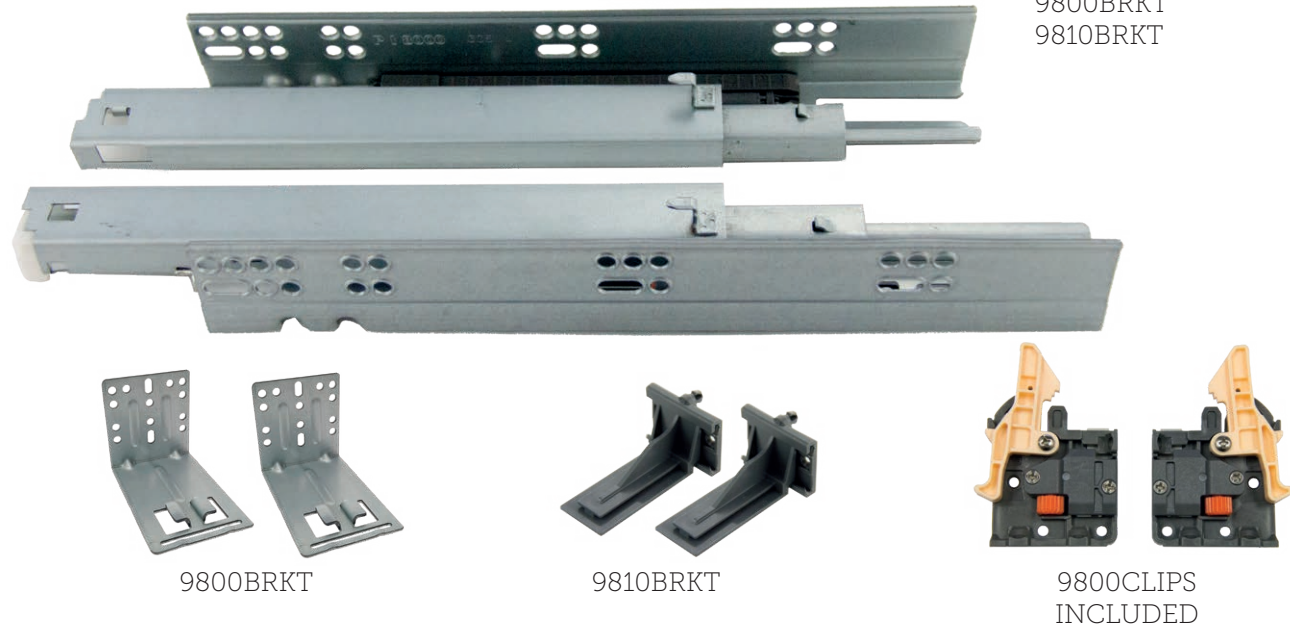
(8034 Series)
SOFT-CLOSE UNDERMOUNT SLIDE

Soft Close Concealed Undermount with height adjustment locking device

Used for 3/4" material

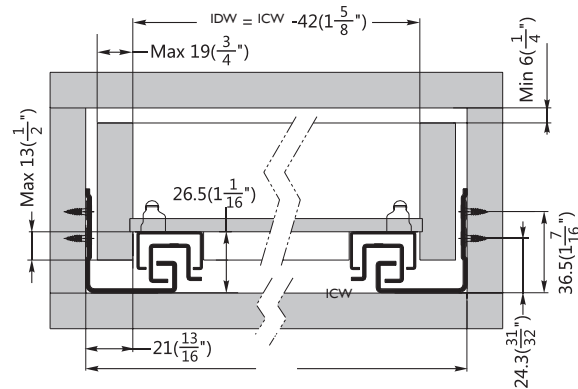
- * 2-Way adjustable
- * Full Extension
- * Under Mounted
- * Lever Disconnect
- * Size: 12" ~ 21"
- * Load Capacity: 90 lbs
- * Material: Cold Rolled Steel
- * Case: 6 Pairs

ITEM NUMBER
8034-12-SOFT
8034-15-SOFT
8034-18-SOFT
8034-21-SOFT
9800CLIPS
9800BRKT
9810BRKT



Installation for drawers between 12.7mm-16mm thick drawer sides

IDW= Internal Drawer Width
ICW= Internal Cabinet Width



Outside Drawer Width

Drawer side Thickness	3/4" (19mm)
Inside Cabinet Width Deduction	7/16" (11mm)

Drawer length	Runner length	Internal Cabinet Depth	
		Max	Min
(12")	317(12 1/2")	369(14 9/16")	326(12 7/8")
(15")	394(15 1/2")	446(17 9/16")	403(15 7/8")
(18")	470(18 1/2")	522(20 9/16")	479(18 7/8")
(21")	546(21 1/2")	598(23 9/16")	555(21 7/8")

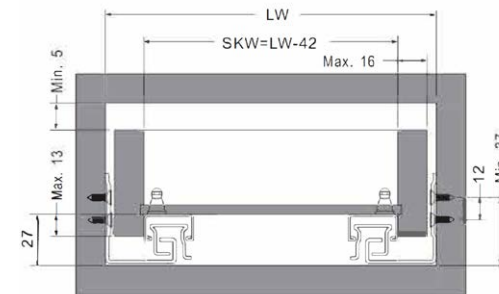
FORTE PRO 6X

(8500 Series)
SOFT-CLOSE UNDERMOUNT SLIDE

Soft Close Undermount Slide with 3-D Locking Device

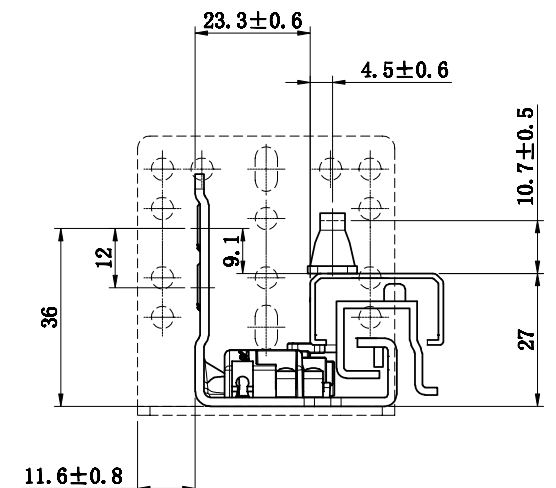
- * 6-Way Adj Drawer release clips (included)
- * Size: 12" ~ 21"
- * Full Extension-Soft Close
- * Face Frame Back Bracket (optional)
- * Load Capacity: 100 lbs
- * Case: 6 Pairs
- * Material: Cold Rolled Steel

ITEM NUMBER
8500-12-SOFT (6 pairs/case)
8500-15-SOFT (6 pairs/case)
8500-18-SOFT (6 pairs/case)
8500-21-SOFT (6 pairs/case)
9800-BRKT (100 pairs)
8500-CLIPS (50 pairs)
8500-NARWCLIP (100 pairs)



Outside Drawer Width

Drawer side Thickness	5/8" (16mm)	1/2" (13mm)
Inside Cabinet Width Deduction	3/8" (10mm)	5/8" (16mm)



FORTE PRO 3/4 6X

(8534 Series)
SOFT-CLOSE UNDERMOUNT SLIDE

Soft Close Undermount Slide with 3-D Locking Device

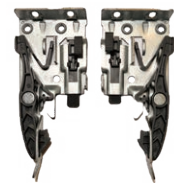
Used for 3/4" material _____

- * 6-Way Adj Drawer release clips (included)
- * Size: 12" ~ 21"
- * Full Extension-Soft Close
- * Face Frame Back Bracket (optional)
- * Load Capacity: 100 lbs
- * Case: 6 Pairs
- * Material: Cold Rolled Steel

ITEM NUMBER	
8534-15-SOFT	(6 pairs/case)
8534-18-SOFT	(6 pairs/case)
8534-21-SOFT	(6 pairs/case)
9800-BRKT	(100 pairs)
8500-CLIPS	(50 pairs)
8500-NARWCLIP	(100 pairs)



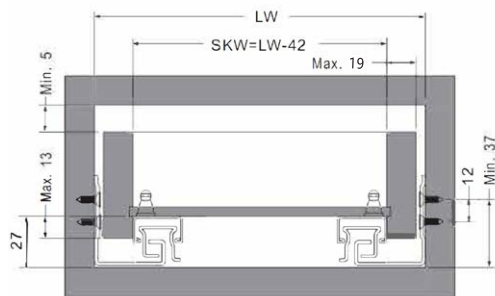
9800-BRKT



8500-NARWCLIP

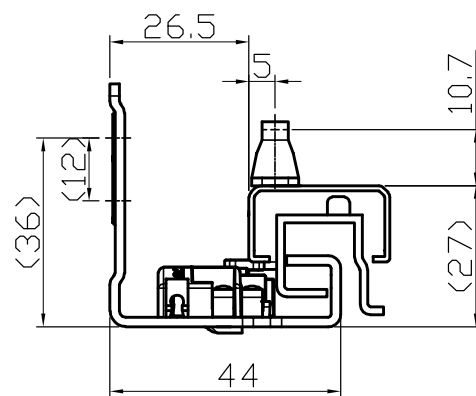


8500-CLIPS INCLUDED



Outside Drawer Width

Drawer side Thickness	3/4" (19mm)
Inside Cabinet Width Deduction	7/16" (11mm)



19mm Wood thickness

ADVANTAGE PRO

(7800 Series)
SOFT-CLOSE UNDERMOUNT SLIDE

Soft Close Undermount Slide with locking device and rear brackets

- * 2-Way adjustable
- * Rear metal bracket included
- * Under Mounted
- * Lever Disconnect
- * Size: 12" ~ 21"
- * Load Capacity: 75 lbs
- * Material: Cold Rolled Steel
- * Case: 6 Pairs

ITEM NUMBER	
7800-12-SOFT	
7800-15-SOFT	
7800-18-SOFT + RB	
7800-21-SOFT + RB	
7800-CLIPS	(100 PAIRS)
7800-BRKT	(200 PCS)
7800-EUBRKT	(200 PCS)



7800-CLIPS INCLUDED



7800-BRKT INCLUDED

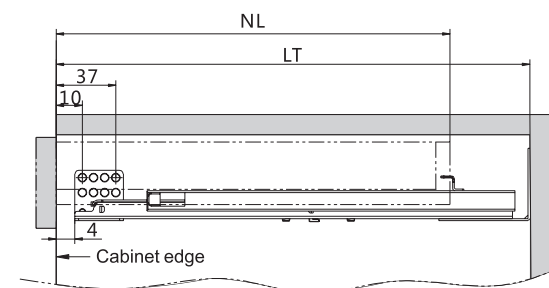


7800-EUBRKT OPTIONAL
FRAMELESS APPLICATION
REAR BRACKET

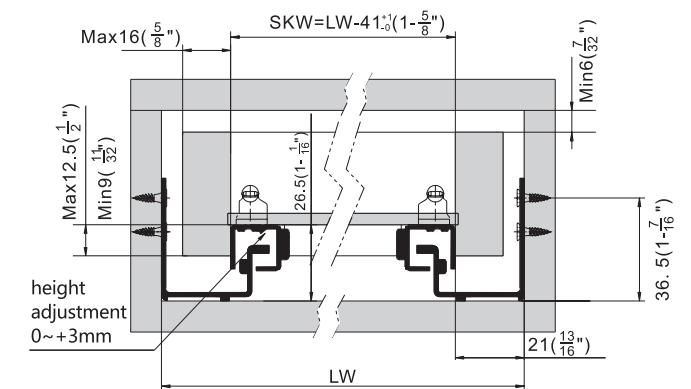
Outside Drawer Width

Drawer side Thickness	5/8" (16mm)	1/2" (13mm)
Inside Cabinet Width Deduction	3/8" (10mm)	5/8" (16mm)

NL = Nominal Slide Length LT = Internal cabinet Depth



SKW = Internal Drawer Width LW = Internal Cabinet Width

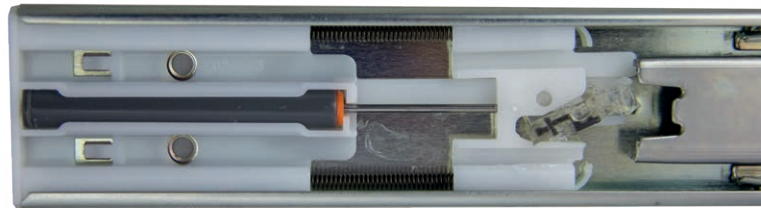


Soft Close Ballbearing Slide

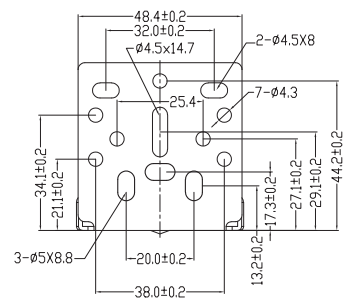
- * Full Extension
- * Side Mounted
- * 46mm Height
- * Soft Close
- * 12.7mm Side Clearance
- * Case: 10 Pairs

- * Finish: Zinc
- * Lever Disconnect
- * Size: 10" ~ 28"
- * Load Capacity: 100 lbs
- * Material: Cold Rolled Steel

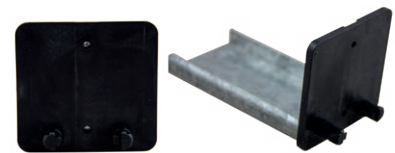
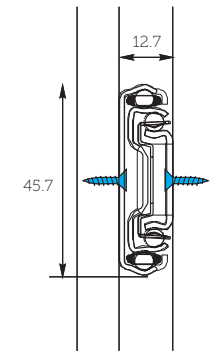
- ITEM NUMBER**
- 4903-10-ZP
 - 4903-12-ZP
 - 4903-14-ZP
 - 4903-16-ZP
 - 4903-18-ZP
 - 4903-20-ZP
 - 4903-22-ZP
 - 4903-24-ZP
 - 4903-26-ZP
 - 4903-28-ZP
 - 4903-BRKT (200 PCS)
 - 4903-SKT (250 PAIRS)
 - 4903-BRKTPI (100 PCS)
 - 4903-BRKTSO (100 PCS)



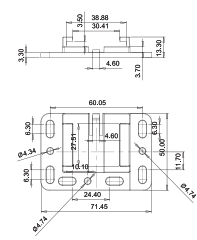
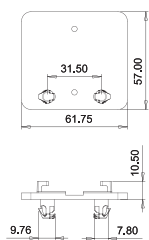
4903-BRKT



4903-SKT
Adjustable rear plastic socket



4903-BRKTPI
Plug In Rear Adjustable Socket



4903-BRKTSO
Screw On Rear Adjustable Socket

STANDARD BALL BEARING SLIDE

- * Full Extension
- * Side Mounted
- * 46mm Height
- * Flat Sided Profile
- * 12.7mm Side Clearance
- * Case: 10 Pairs

- * Finish: Zinc or Black
- * Lever Disconnect
- * Size: 10" ~ 28"
- * Load Capacity: 100 lbs
- * Material: Cold Rolled Steel
- * OT = 1.5" Over Travel

- ITEM NUMBER BK**
- 4600-10-BK
 - 4600-12-BK
 - 4600-14-BK
 - 4600-14-BKOT
 - 4600-16-BK
 - 4600-16-BKOT
 - 4600-18-BK
 - 4600-20-BK
 - 4600-20-BKOT
 - 4600-22-BK
 - 4600-24-BK
 - 4600-26-BK
 - 4600-28-BK



4600-BRKT

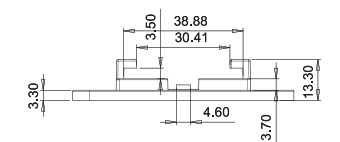
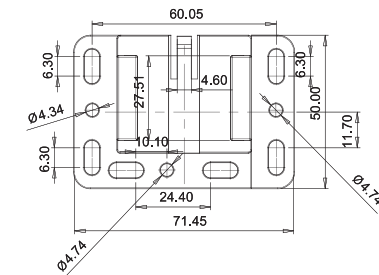
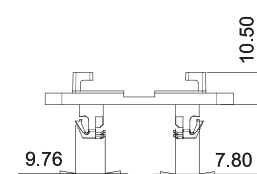
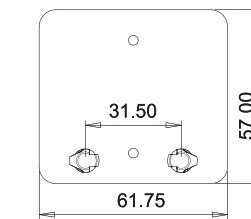
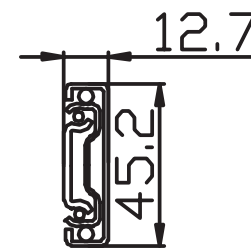


4600-BRKTPI
Plug In Rear Adjustable Socket



4600-BRKTSO
Screw On Rear Adjustable Socket

- ITEM NUMBER ZP**
- 4600-10-ZPOT
 - 4600-12-ZP
 - 4600-12-ZPOT
 - 4600-14-ZPOT
 - 4600-16-ZPOT
 - 4600-18-ZPOT
 - 4600-20-ZPOT
 - 4600-22-ZPOT
 - 4600-24-ZPOT
 - 4600-26-ZPOT
 - 4600-28-ZPOT
 - 4600-BRKT (100 PCS)
 - 4600-BRKTPI (100 PCS)
 - 4600-BRKTSO (100 PCS)



- * Full Extension
- * Side Mounted
- * 46mm Height
- * Round Sided Profile
- * 12.7mm Side Clearance
- * Case: 10 Pairs

- * Finish: Zinc
- * Lever Disconnect
- * Size: 8" ~ 24"
- * Load Capacity: 100 lbs
- * Material: Cold Rolled Steel
- * OT = 1.5" Over Travel

ITEM NUMBER

- 4800-8-ZP
- 4800-10-ZP
- 4800-12-ZP
- 4800-14-ZPOT
- 4800-16-ZPOT
- 4800-18-ZPOT
- 4800-20-ZPOT
- 4800-22-ZPOT
- 4800-24-ZPOT
- 4800-BRKT (100 PCS)
- 4800-BRKTPI (100 PCS)
- 4800-BRKTPI10 (100 PCS)
- 4800-BRKTSO (100 PCS)

PRODUCTION PACK OPTIONS

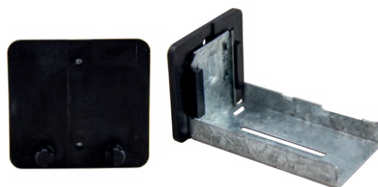
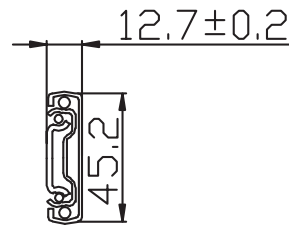
- 4800-14-ZPOT-CM
- 4800-14-ZPOT-DM
- 4800-16-ZPOT-CM
- 4800-16-ZPOT-DM
- 4800-18-ZPOT-CM
- 4800-18-ZPOT-DM
- 4800-20-ZPOT-CM
- 4800-20-ZPOT-DM
- 4800-22-ZPOT-CM
- 4800-22-ZPOT-DM
- *40 pieces per case



4800-BRKT



4903-SKT



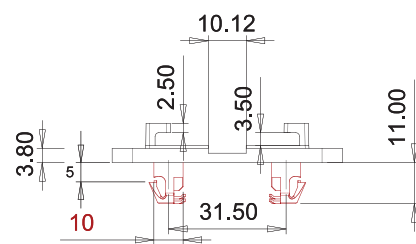
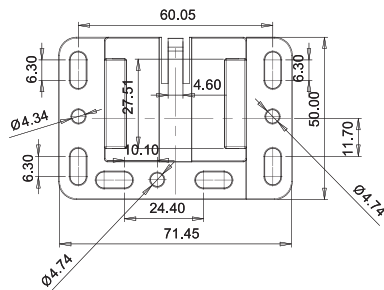
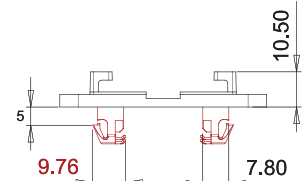
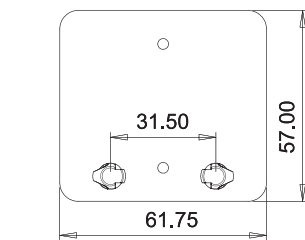
4800-BRKTPI
Plug In Rear Adjustable Socket



4800-BRKTSO
Screw On Rear Adjustable Socket



4800-BRKTPI10
Plug In Rear Adjustable
Socket for 4800 Slide
10mm Dowel

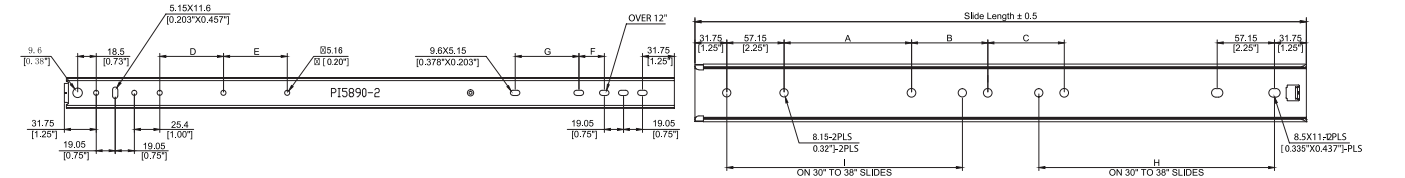
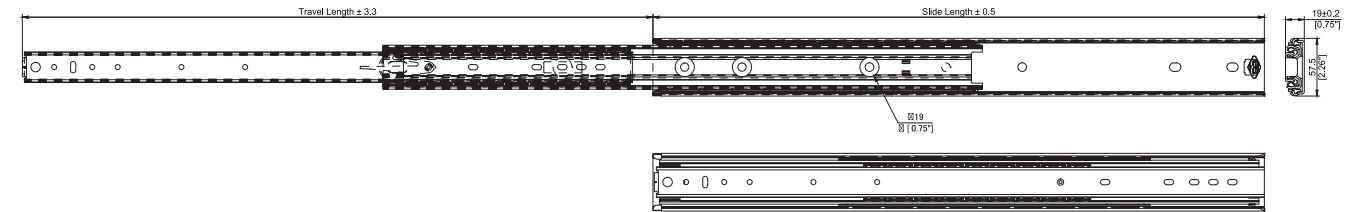
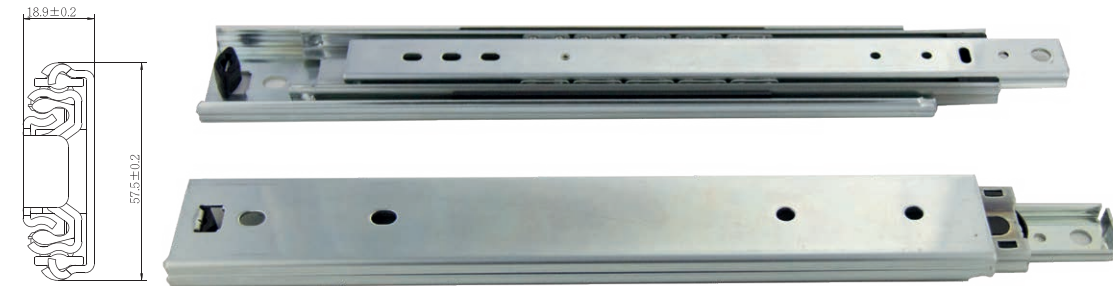


- * Full Extension
- * Side Mounted
- * 58mm Height
- * Round Sided Profile
- * 19mm Side Clearance
- * Case: 5 Pairs

- * Finish: Zinc
- * Lever Disconnect
- * Size: 10" ~ 36"
- * Load Capacity: 250 lbs
- * Material: Cold Rolled Steel

ITEM NUMBER

- 5890-10-ZP
- 5890-12-ZP-2
- 5890-14-ZP-2
- 5890-16-ZP-2
- 5890-18-ZP-2
- 5890-20-ZP-2
- 5890-22-ZP-2
- 5890-24-ZP-2
- 5890-26-ZP-2
- 5890-28-ZP-2
- 5890-30-ZP-2
- 5890-32-ZP-2
- 5890-34-ZP-2
- 5890-36-ZP-2



Part Number	Slide Length	Travel Length	A	B	C	D	E	F	G	H	I
PI5890-10"	254mm [10"]	254mm [10"]	-	-	-	-	-	-	-	-	-
PI5890-12"	304.8mm [12"]	323.85mm [12.75"]	-	-	-	-	-	-	-	-	-
PI5890-14"	355.6mm [14"]	374.65mm [14.75"]	-	-	-	-	-	-	-	-	-
PI5890-16"	406.4mm [16"]	425.45mm [16.75"]	-	-	-	63.5 [2.5"]	63.5 [2.5"]	25.4 [1"]	-	-	-
PI5890-18"	457.2mm [18"]	476.25mm [18.75"]	-	-	-	63.5 [2.5"]	63.5 [2.5"]	25.4 [1"]	63.5 [2.5"]	-	-
PI5890-20"	508mm [20"]	527.05mm [20.75"]	-	-	-	63.5 [2.5"]	63.5 [2.5"]	25.4 [1"]	63.5 [2.5"]	-	-
PI5890-22"	558.8mm [22"]	577.85mm [22.75"]	127 [5"]	76.2 [3"]	76.2 [3"]	63.5 [2.5"]	63.5 [2.5"]	25.4 [1"]	63.5 [2.5"]	-	-
PI5890-24"	609.6mm [24"]	628.65mm [24.75"]	127 [5"]	76.2 [3"]	76.2 [3"]	63.5 [2.5"]	63.5 [2.5"]	25.4 [1"]	63.5 [2.5"]	-	-
PI5890-26"	660.4mm [26"]	679.45mm [26.75"]	127 [5"]	76.2 [3"]	76.2 [3"]	63.5 [2.5"]	63.5 [2.5"]	25.4 [1"]	63.5 [2.5"]	-	-
PI5890-28"	711.2mm [28"]	730.25mm [28.75"]	127 [5"]	76.2 [3"]	76.2 [3"]	63.5 [2.5"]	63.5 [2.5"]	25.4 [1"]	63.5 [2.5"]	-	-
PI5890-30"	762mm [30"]	781.05mm [30.75"]	-	-	-	63.5 [2.5"]	63.5 [2.5"]	25.4 [1"]	63.5 [2.5"]	234.95 [9.25"]	234.95 [9.25"]
PI5890-32"	812.8mm [32"]	831.85mm [32.75"]	-	-	-	63.5 [2.5"]	63.5 [2.5"]	25.4 [1"]	63.5 [2.5"]	234.95 [9.25"]	234.95 [9.25"]
PI5890-34"	863.6mm [34"]	882.65mm [34.75"]	-	-	-	63.5 [2.5"]	63.5 [2.5"]	25.4 [1"]	63.5 [2.5"]	234.95 [9.25"]	234.95 [9.25"]
PI5890-36"	914.4mm [36"]	933.45mm [36.75"]	-	-	-	63.5 [2.5"]	63.5 [2.5"]	25.4 [1"]	63.5 [2.5"]	234.95 [9.25"]	234.95 [9.25"]



Model: # 5000 Progressive Ball Bearing Slide

- * Full Extension
- * Side Mounted
- * 12.7mm Side Clearance
- * Material: Cold Rolled Steel
- * Case: 10 Pairs
- * Finish: Zinc or Black
- * Lever Disconnect
- * Size: 12" ~ 28"
- * Load Capacity: 150 lbs
- * OT = 1.5" Over Travel

ITEM NUMBER

- 5000-12-ZPOT
- 5000-14-ZPOT
- 5000-16-BKOT
- 5000-16-ZPOT
- 5000-18-BKOT
- 5000-18-ZPOT
- 5000-20-BKOT
- 5000-20-ZPOT
- 5000-22-ZPOT
- 5000-24-ZPOT
- 5000-26-ZPOT
- 5000-28-ZPOT



Model: # 3400 Pencil Drawer Slide

- * Top Mount Fixed Brackets
- * Detent In
- * Lever Disconnect
- * Material: Cold Rolled Steel
- * Case: 10 Pairs
- * Finish: Zinc or Black
- * Size: 18"
- * Load Capacity: 60 lbs

ITEM NUMBER

- 3400-18-BK
- 3400-18-ZP



Model: # 1000 Center Mount Ball Bearing Slide

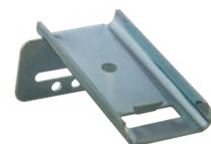
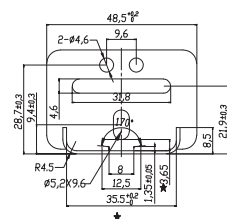
- * 3/4 Extension
- * Under Mount
- * 10mm Clearance
- * Material: Cold Rolled Steel
- * Case: 20 Pieces
- * Finish: Zinc
- * Friction Release
- * Size: 12" ~ 19"
- * Load Capacity: 35 lbs

ITEM NUMBER

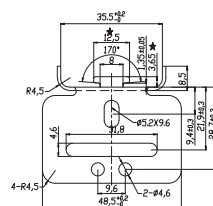
- 1000-N12.ZP
- 1000-N15.ZP
- 1000-N17.ZP
- 1000-N19.ZP
- 1000-R-BRKT (200)
- 1000-U-BRKT (200)



1000-U-BRKT
 Upward rear mounting bracket



1000-R-BRKT
 Downward rear mounting bracket

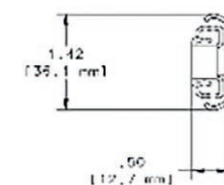


Model: # 3500 Low Profile Ball Bearing Slide

- * Full Extension
- * Side Mounted
- * 35mm Height
- * Round Sided Profile
- * 12.7mm Side Clearance
- * Case: 10 Pairs
- * Finish: Zinc or Black
- * Lever Disconnect
- * Size: 12" ~ 24"
- * Load Capacity: 75 lbs
- * Material: Cold Rolled Steel
- * OT = 1." Over Travel

ITEM NUMBER

- 3500-12-ZP
- 3500-14-ZP
- 3500-16-ZP
- 3500-16-ZPOT
- 3500-18-ZP
- 3500-20-ZP
- 3500-20-ZPOT
- 3500-22-ZP
- 3500-24-ZP
- 3500-BRKT (200 PCS)



3500-BRKT





Model: # 4000 Standard Euro Slide

- * 3/4 Extension
- * Double Stopper
- * One Side Captive
- * 32mm System
- * Material: Cold Rolled Steel

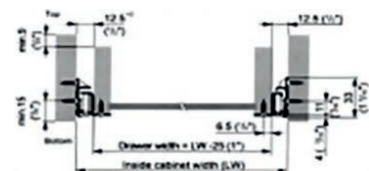
- * Finish: Epoxy Powder Coat
- * Size: 10" ~ 24"
- * Load Capacity: 75 lbs
- * Option - Soft Roller
- * Option - Rear Sockets

ITEM NUMBER

- 4000-10-1WT
- 4000-12-1WT
- 4000-14-1WT
- 4000-16-1WT
- 4000-18-1WT
- 4000-20-1WT
- 4000-22-1WT
- 4000-24-1WT

14" to 22" also available:

- 4000-(SIZE)-WT-CL
- 4000-(SIZE)-WT-CR
- 4000-(SIZE)-WT-DL
- 4000-(SIZE)-WT-DR



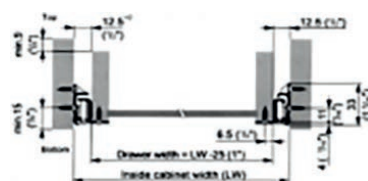
Packaging

- Set Pack: 25 pairs
- Bulk: 100 pieces
- CL/CR/DL/DR

Model: # 4200 Crimp-On Euro Slide

- * 3/4 Extension
- * Double Stopper
- * One Side Captive
- * 32mm System
- * (CL:CR:DL:DR: 100 pieces per case)

- * Finish: Epoxy Powder Coat
- * Material: Cold Rolled Steel
- * Load Capacity: 75 lbs



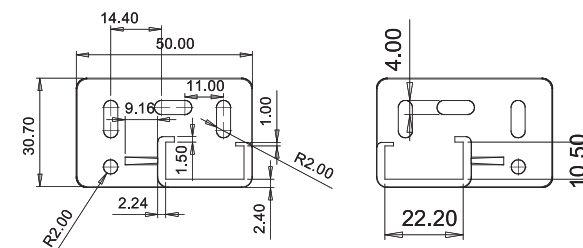
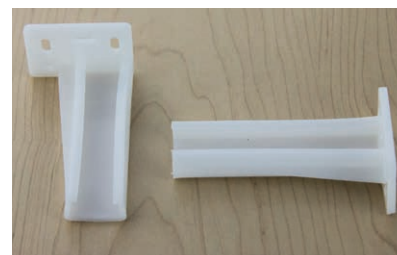
- 20" **ITEM NUMBER**
- 4200-20-WT-CL Cabinet Left
 - 4200-20-WT-CR Cabinet Right
 - 4200-20-WT-DL Drawer Left
 - 4200-20-WT-DR Drawer Right

- 22" **ITEM NUMBER**
- 4200-22-WT-CL Cabinet Left
 - 4200-22-WT-CR Cabinet Right
 - 4200-22-WT-DL Drawer Left
 - 4200-22-WT-DR Drawer Right



EUSKT # 1

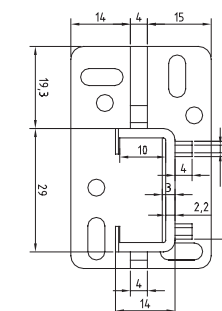
3-1/2" Rear Bracket for Euro Slides



- EUSKT-1-L LEFT
- EUSKT-1-R RIGHT
- CASE: 500 pieces per box

EUSKT # 2

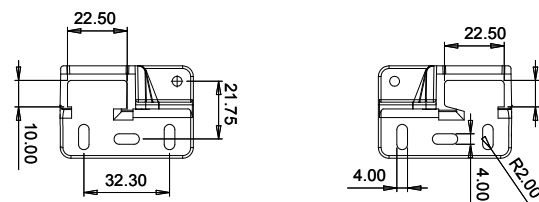
3" Premium Rear Bracket for Euro Slides



- EUSKT-2-L LEFT
- EUSKT-2-R RIGHT
- CASE: 500 pieces per box

EUSKT # 5

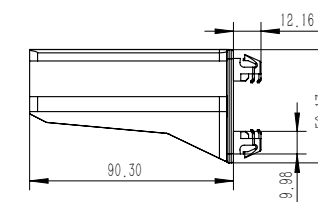
3-1/2" Heavy Duty Rear Bracket for Euro Slides w/o Dowels



- EUSKT-5-L LEFT
- EUSKT-5-R RIGHT
- CASE: 500 pieces per box

EUSKT # 6

3-1/2" Heavy Duty Rear Bracket for Euro Slides w/ Dowels



- EUSKT-6-L LEFT
- EUSKT-6-R RIGHT
- CASE: 500 pieces per box

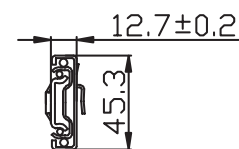


Model: # 4700 Bayonet Ball Bearing Slide

- * Full Extension
- * Side Mounted
- * 46mm Height
- * Flat Sided Profile
- * 12.7mm Side Clearance
- * Case: 10 Pairs

- * Finish: Zinc
- * Lever Disconnect
- * Size: 16" ~ 23"
- * Load Capacity: 100 lbs
- * Material: Cold Rolled Steel
- * OT = 1." Over Travel

ITEM NUMBER
 4700-16-ZP
 4700-17-ZPOT
 4700-19-ZPOT
 4700-23-ZPOT

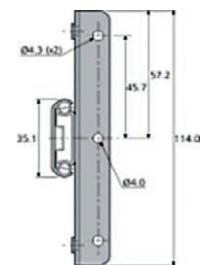


Model: # 2000 Pocket Door Slide

- * Vertical Mounted
- * Detent In
- * Material: Cold Rolled Steel
- * Case: 10 Pairs

- * Finish: Zinc
- * Size: 16" ~ 20"
- * Load Capacity: 50 lbs

ITEM NUMBER
 2000-20-ZP



Included with slides

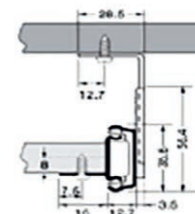


Model: # 3000 Keyboard Slide

- * Top Mount Fixed Brackets
- * Plastic Protective Cover
- * Detent In & Detent Out
- * Material: Cold Rolled Steel
- * Case: 10 Pairs

- * Finish: Zinc or Black
- * Size: 16"
- * Load Capacity: 60 lbs

ITEM NUMBER
 3000-16-BK
 3000-16-ZP

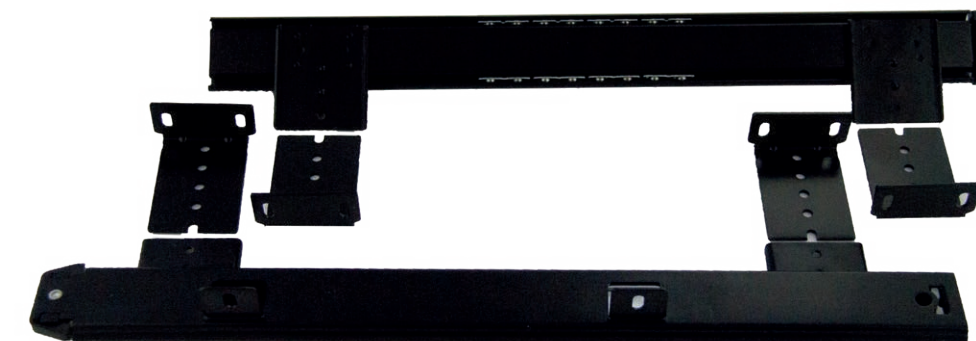
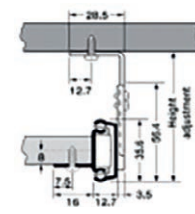


Model: # 3050 Adjustable Keyboard Slide

- * Top Mount Adjustable Brackets
- * Plastic Protective Cover
- * Detent In & Detent Out
- * Material: Cold Rolled Steel
- * Case: 10 Pairs

- * Finish: Black
- * Size: 14"
- * Load Capacity: 60 lbs

ITEM NUMBER
 3050-14-BK





PRIDE INDUSTRIAL®
DECORATIVE HARDWARE
FUNCTIONAL HARDWARE
& MORE

TRASH CAN PULL OUTS

KITCHEN
ORGANIZATION

Soft Close Pull Outs

Unique Features

- * One adjustable bottom mount unit that fits any cabinet opening from 16" to 22 11/16"
- * One adjustable bottom mount unit that fits any cabinet opening from 11 3/4" to 16 11/16"
- * All needed components come with 1 part number.
- * Dynamic load capacity 100 lbs.
- * A sleek look that fits any contemporary or Modern Kitchen
- * Built to last
- * Full Extension undermounts
- * Adjustments:
 - Tilt Adjustment
 - Height Adjustment
 - Side to Side Adjustment



BOTTOM MOUNT SOFT CLOSE PULL OUT (DOUBLE 35 QUART)

ITEM NUMBER
72BMSC1215DBL
72BMSC1821DBL

TOP MOUNT SOFT CLOSE PULL OUT (DOUBLE 35 QUART)

ITEM NUMBER
72TMSC1821DBL

PLASTIC WASTE TRASH CAN

ITEM NUMBER
70TC35GR
70TC35BK
70TC35WT

COLOR
Grey / Black / White

CAPACITY
35 Quarts



Trash Can Pull Outs

- * 3D Adjustable
 - * Full Extension
 - * Ball Bearing Slide
 - * Load capacity 100 Lbs
 - * Nominal Slide Length 18"
 - * Polished Chrome
 - * Door Mountable
 - * Bottom Mount
- * Cans and Door Brackets sold separately

SINGLE 35 QUART TRASH CAN PULL OUT

ITEM NUMBER
70BBSGL35PC

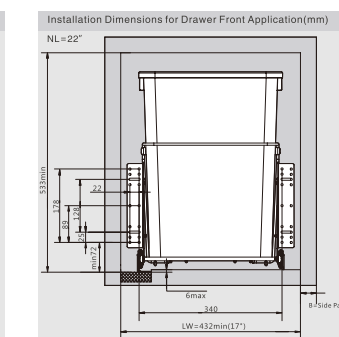
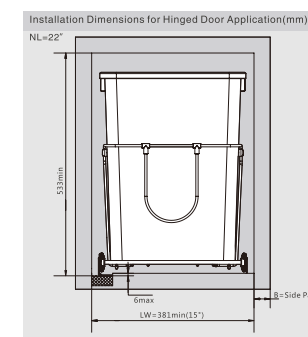
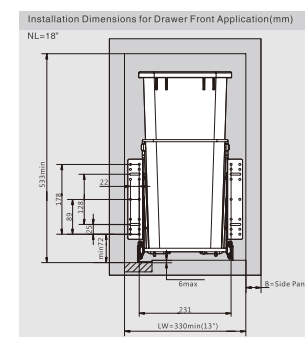
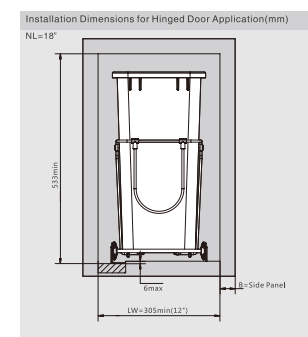
CASE
1 Set



DOUBLE 35 QUART TRASH CAN PULL OUT

ITEM NUMBER
70BBDBL35PC

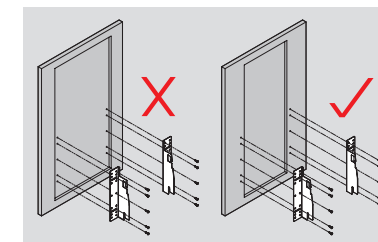
CASE
1 Set



DOOR MOUNTING BRACKET

ITEM NUMBER
70BRKT

CASE
20 Sets





PRIDE INDUSTRIAL®
DECORATIVE HARDWARE
FUNCTIONAL HARDWARE
& MORE

LAZY SUSAN COLLECTION

KITCHEN
ORGANIZATION



LS18RD.WT
18" ROUND
Lazy Susan White
Plastic with
stainless steel pole

LS24RD.WT
24" ROUND
Lazy Susan White
Plastic with
stainless steel pole

LS28RD.WT
28" ROUND
Lazy Susan White
Plastic with
stainless steel pole

LS24KD.WT
24" KIDNEY
Lazy Susan White
Plastic with
stainless steel pole

LS28KD.WT
28" KIDNEY
Lazy Susan White
Plastic with
stainless steel pole

LS32KD.WT
32" KIDNEY
Lazy Susan White
Plastic with
stainless steel pole



LS18RD.3TRAY
18" ROUND Lazy
Susan White with
3 Trays

Item Adjustment
Range between
31.5" - 43"



H760.
Institutional Hinge 3/4" Overlay x 13/16" Door
CASE QTY 100 **WEIGHT/CASE** 46 lbs
BOX QTY 10

Available Colors **Item Number**
Dull Chrome H760.DC
Powder Dull Chrome H760.PDC



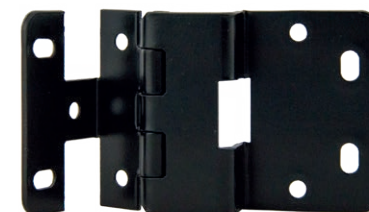
H780.DC
Institutional Hinge 13/16" Overlay x 13/16" Door
CASE QTY 100 **WEIGHT/CASE** 46 lbs
BOX QTY 10

Available Colors **Item Number**
Dull Chrome H780.DC



H760.SS
Institutional Hinge 3/4" Overlay x 13/16" Door
CASE QTY 100 **WEIGHT/CASE** 46 lbs
BOX QTY 10

Available Colors **Item Number**
Stainless Steel H760.SS



H760-45.
Institutional Hinge 3/4" Overlay x 13/16" Door
with 45mm CC on the Door Leaf
CASE QTY 100 **WEIGHT/CASE** 46 lbs
BOX QTY 10

Available Colors **Item Number**
Black H760-45.BK
Dull Chrome H760-45.DC



H740.DC
Institutional Hinge 3/4" Overlay x 3/4" Door
CASE QTY 100 **WEIGHT/CASE** 46 lbs
BOX QTY 10

Available Colors **Item Number**
Dull Chrome H740.DC



PRIDE INDUSTRIAL®
 DECORATIVE HARDWARE
 FUNCTIONAL HARDWARE
 & MORE

EUROPEAN HINGES & PLATES



PRIDE INDUSTRIAL®
 DECORATIVE HARDWARE
 FUNCTIONAL HARDWARE
 & MORE

PIVOT-STAR

SPEED ADJUSTABLE SOFT CLOSE HINGES



STANDOUT FEATURES INCLUDE
 Speed adjustment cam screw enables hinge to handle multiple door weights.

Patented piston & mechanism allows consistent opening and closing at uniform speed without the feeling of pausing.

Less than 0.5mm door gap.

All new SNAP-FIT structure

ALL NEW SNAP-FIT STRUCTURE.
THE CONNECTIONS ARE TIGHT AND SECURE.
INSTALLATION AND DISMANTLING ARE MORE CONVENIENT.

It is quick to install and quick to disassemble.
 The exquisite snap-fit design makes installation simple and convenient.



RUST RESISTANT
WITHSTANDS HIGH AND LOW TEMPERATURES

The hinges have achieved the testing standard for 30 hours of acidity
 The damping effects are good under environmental testing at high temperatures of +122° F and low temperatures of -22° F

Opening the door is light and gentle, and the peak value of the door opening force is lower than 18.5 N

Closing the door is smooth, and the door is closed at a uniform speed without any feeling of pausing
 The door closing time is 3-5 seconds

EUROPLATE & FACE-FRAME PLATES

GAP FOR DOOR OPENING

Owing to the meticulous design for the motion track, the gap at the door side is nearly invisible. When the door panel thickness is 19 mm and K = 5, the door side crack is only 1.4 mm



THE DOOR CLOSING SPEED IS ADJUSTABLE

One hinge for multiple door applications.

PIVOT STAR HINGE

FULL OVERLAY



110° F/O Soft Close hinge
W/Speed Adjustment

4411-SC No Dowels
4411-8D-SC With Dowels

CASE QTY 200

HALF OVERLAY



110° H/O Soft Close Hinge
W/Speed Adjustment

4422-SC No Dowels
4422-8D-SC With Dowels

CASE QTY 200

INSET



110° Inset Soft Close Hinge
W/Speed Adjustment

4433-SC No Dowels
4433-8D-SC With Dowels

CASE QTY 200

165° HINGE



165° Soft Close hinge
W/Speed Adjustment

4465-SC No Dowels
4465-8D-SC With Dowels

FRAMELESS STEEL PLATE



0mm Soft Close Box Clip
Plate for Pivot Star Hinge

4400 No Screws
4400.S System Screws

FRAMELESS STEEL PLATE W/CAM ADJUSTMENT



0mm Soft Close
Cam Adj Box Clip Plate

4400-CAM No Screws
4400-CAM.S System Screws

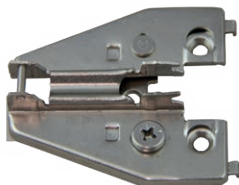
FACE FRAME PLATE



Soft Close Face Frame Plate
for Pivot Star Hinge

4401 1mm
4403 3mm

FF PLATE WITH CAM ADJUSTMENT



Soft Close Face Frame Plate
with Cam Adjustment

4401-CAM 1mm
4403-CAM 3mm



2mm Soft Close Box Clip
Plate for Pivot Star Hinge

4402 No Screws
4402.S System Screws



2mm Soft Close Cam Adj Box
Clip Plate

4402-CAM No Screws
4402-CAM.S System Screws

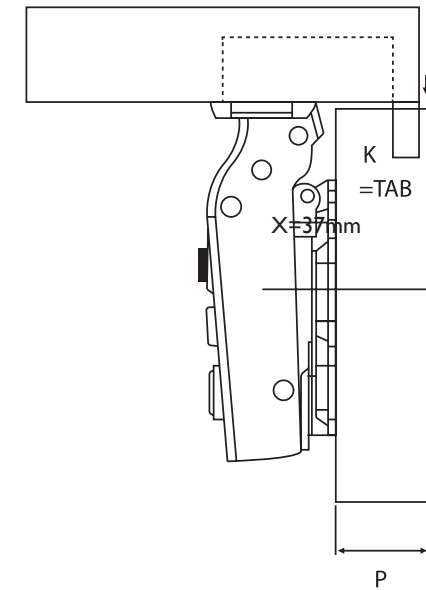


PRIDE INDUSTRIAL®
DECORATIVE HARDWARE
FUNCTIONAL HARDWARE
& MORE

PIVOT-STAR

SPEED ADJUSTABLE SOFT CLOSE HINGES

FULL OVERLAY

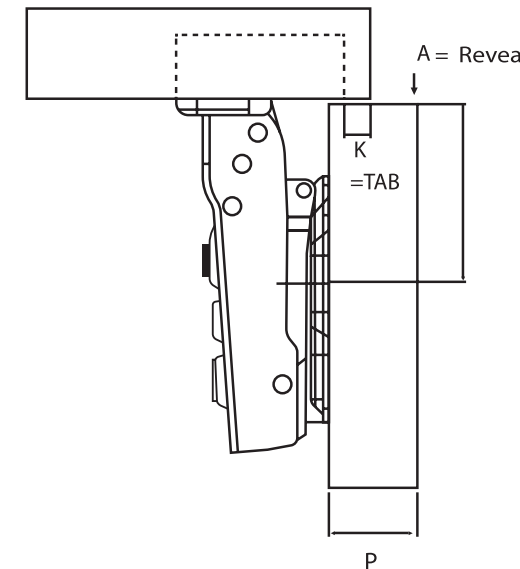


P=	16	17	18	19
K=3 A=	1	2	3	4
K=4 A=	0	1	2	3
K=5 A=	-1	0	1	2
K=6 A=	-2	-1	0	1

P = Cabinet Panel Thickness
A = Cabinet Panel Reveal when door is closed
K = Tab or Drilling Distance from edge of door

Constant Distance
Full Overlay 12mm

HALF OVERLAY



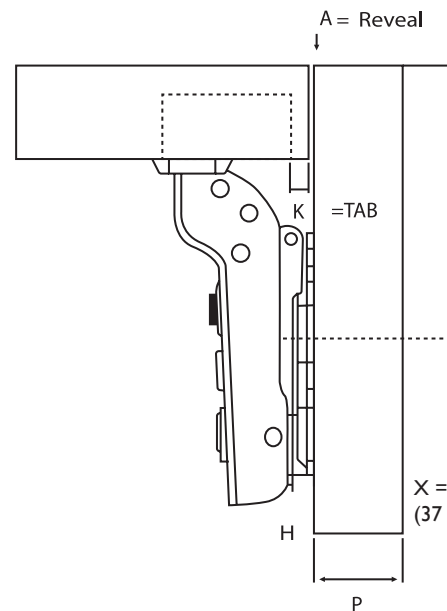
P=	16	17	18	19
K=3 A=	10	11	12	13
K=4 A=	9	10	11	12
K=5 A=	8	9	10	11
K=6 A=	7	8	9	10

P = Cabinet Panel Thickness
A = Cabinet Panel Reveal when door is closed
K = Tab or Drilling Distance from edge of door

Constant Distance
Half Overlay 3mm

CONCEALED HINGE PRODUCT SPECIFICATIONS

INSET

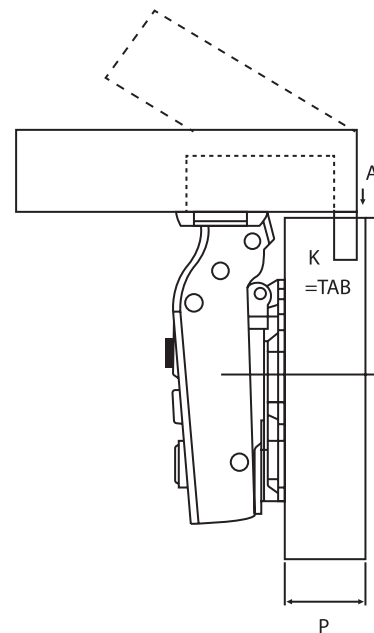


K Distance	K=3	K=4	K=5	K=6
H=0	A= 3	A= 2	A= 1	A= 0
H=2	A= 5	A= 4	A= 3	A= 2

(H= Plate Thickness)
 P = Cabinet Panel Thickness
 A = Cabinet Panel Reveal when door is closed
 K = Tab or Drilling Distance from edge of door

Constant Distance
 Inset -6mm

SPACE NEEDED
 TO OPEN THE DOOR



T=	16	17	18	19	20
K=3	A= 0.7	A= 0.9	A= 1.2	A= 1.5	A= 1.8
K=4	A= 0.7	A= 0.9	A= 1.1	A= 1.4	A= 1.8
K=5	A= 0.6	A= 0.9	A= 1.1	A= 1.4	A= 1.7
K=6	A= 0.6	A= 0.8	A= 1.1	A= 1.3	A= 1.6

- T = Door thickness | - K = Drilling distance

FULL OVERLAY



110° Soft Close Clip-On
 CAM Hinge Full Overlay
3311-SC No Dowels
3311-8D-SC With Dowels

CASE QTY 200

HALF OVERLAY



110° Soft Close Clip-On
 CAM Hinge Half Overlay
3322-SC No Dowels
3322-8D-SC With Dowels

CASE QTY 200

INSET



110° Soft Close Clip-On
 CAM Hinge Inset
3333-SC No Dowels
3333-8D-SC With Dowels

CASE QTY 200

165° HINGE



165 SFX Series Soft Close
 Clip-On CAM Hinge F/O w/
 8mm Dowels
33165-8D-SC

CASE QTY 100

CORNER



45° SFX Series Corner Hinge
 Soft Close Clip-On CAM w/
 Dowels
3345-8D-SC

CASE QTY 200

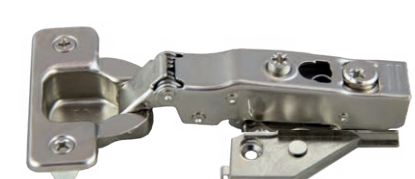
BLIND CORNER



90° SFX Series Corner Hinge
 Soft Close Clip-On CAM w/
 Dowels
3390-8D-SC

CASE QTY 200

FULL OVERLAY



110 Deg +3mm Assembled
 Soft Close Hinge & Plate W/
 Dowels
33118DSC+3303CAMSC

CASE QTY 200

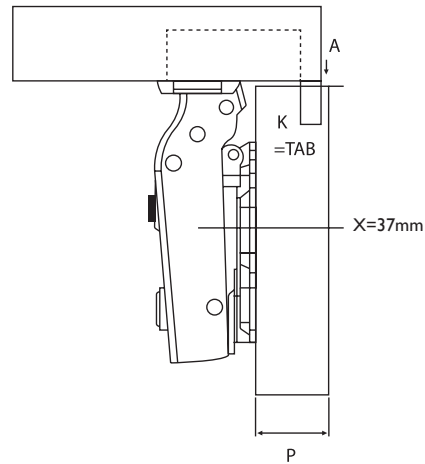


PRIDE INDUSTRIAL®
DECORATIVE HARDWARE
FUNCTIONAL HARDWARE
& MORE

SFX SERIES

SOFT-CLOSE HINGES

FULL OVERLAY

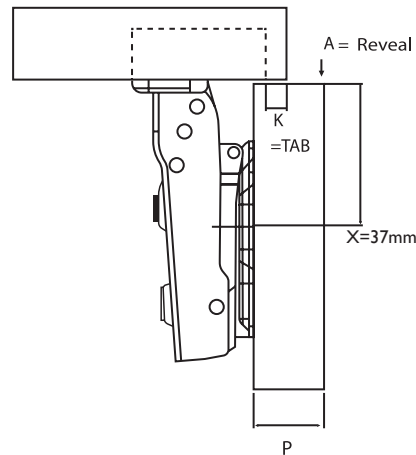


P=	16	17	18	19
K=3 A=	1	2	3	4
K=4 A=	0	1	2	3
K=5 A=	-1	0	1	2
K=6 A=	-2	-1	0	1

P = Cabinet Panel Thickness
A = Cabinet Panel Reveal when door is closed
K = Tab or Drilling Distance from edge of door

Constant Distance
Full Overlay 12mm

HALF OVERLAY

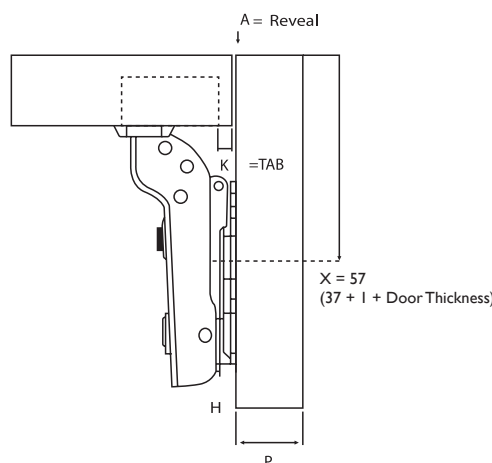


P=	16	17	18	19
K=3 A=	10	11	12	13
K=4 A=	9	10	11	12
K=5 A=	8	9	10	11
K=6 A=	7	8	9	10

P = Cabinet Panel Thickness
A = Cabinet Panel Reveal when door is closed
K = Tab or Drilling Distance from edge of door

Constant Distance
Half Overlay 3mm

INSET



K Distance	K=3	K=4	K=5	K=6
H=0 A=	3	2	1	0
H=2 A=	5	4	3	2

(H= Plate Thickness)
P = Cabinet Panel Thickness
A = Cabinet Panel Reveal when door is closed
K = Tab or Drilling Distance from edge of door

Constant Distance
Inset -6mm



PRIDE INDUSTRIAL®
DECORATIVE HARDWARE
FUNCTIONAL HARDWARE
& MORE

SLX SERIES

SELF-CLOSE HINGES

SLX SERIES, ONLY AVAILABLE IN FULL OVERLAY

FULL OVERLAY

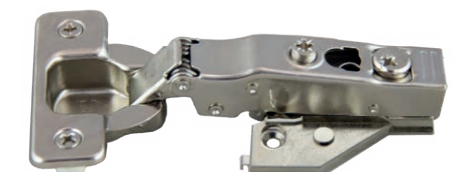


110 SLX Series Self Close
Clip Hinge Full Overlay /
works with Soft Close plates

3411 No Dowels
3411-8D With Dowels

CASE QTY 200

FULL OVERLAY



110 Deg +3mm SLX Series
Assembled Self Close Hinge
& Plate W/Dowels

34118DSC+3303CAMSC

CASE QTY 200

FULL OVERLAY



165° SFX Series Self Close
Clip-On CAM Hinge F/O w/
8mm Dowels / works with
Soft Close plates

34165-8D

CASE QTY 100

FULL OVERLAY

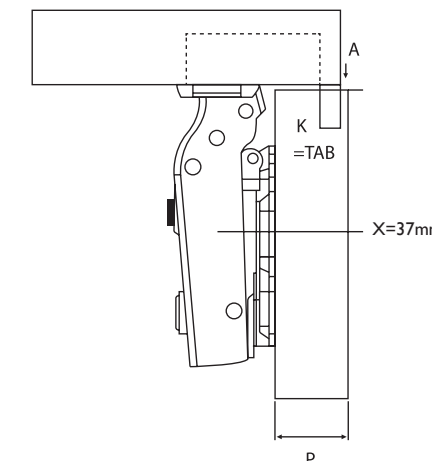


110 SLX Series Free Swing
Hinge Full Overlay w/ 8mm
Dowels

3111-8D

CASE QTY 200

FULL OVERLAY



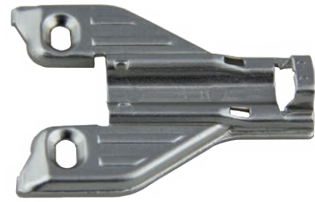
P=	16	17	18	19
K=3 A=	1	2	3	4
K=4 A=	0	1	2	3
K=5 A=	-1	0	1	2
K=6 A=	-2	-1	0	1

P = Cabinet Panel Thickness
A = Cabinet Panel Reveal when door is closed
K = Tab or Drilling Distance from edge of door

Constant Distance
Full Overlay 12mm

SFX/SLX SERIES COMPATIBLE PLATES

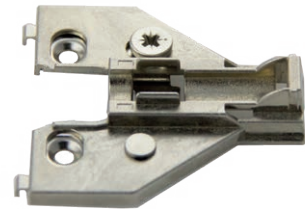
FACE FRAME PLATE



Soft Close Face Frame Clip Plate
3300-SC 1mm 5/8" Overlay
3303-SC 3mm 1/2" Overlay

CASE QTY 200

FF PLATE WITH CAM ADJUSTMENT



Cam Soft Close Face Frame Clip Plate
3300CAM-SC 0mm 5/8" Overlay
3303CAM-SC 3mm 1/2" Overlay
3306CAM-SC 6mm 3/8" Overlay

CASE QTY 200

FRAMELESS STEEL PLATE



0mm Soft Close Euro Box Clip Plate
3300

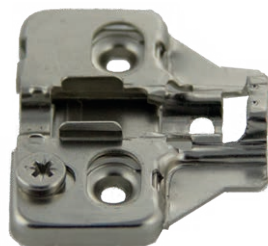
CASE QTY 200



Soft Close Euro Box Clip Plate w/ System Screws
3300.S 0mm
3302.S 2mm
3304.S 4mm

CASE QTY 200

FRAMELESS STEEL PLATE W/CAM ADJUSTMENT



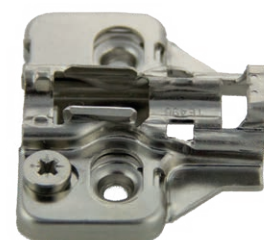
0mm Soft Close Cam Adjustable Euro Box Clip Plate. 3/4" OL
96T00TQ
96T02TQ Euro Screws

CASE QTY 200



2mm Soft Close Cam Adjustable Euro Box Clip Plate 5/8" OL
96T20TQ
96T22TQ Euro Screws

CASE QTY 200



4mm Soft Close Cam Adjustable Euro Box Clip Plate 1/2" OL
96T40TQ
96T42TQ Euro Screws

CASE QTY 200

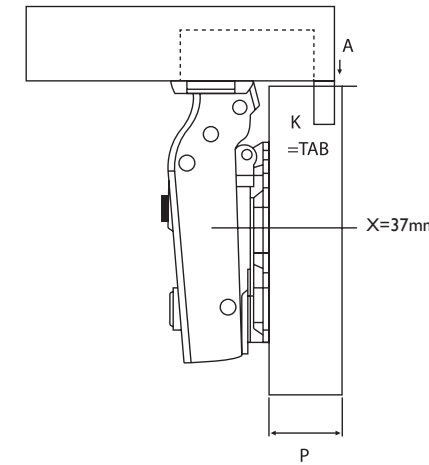


PRIDE INDUSTRIAL[®]
 DECORATIVE HARDWARE
 FUNCTIONAL HARDWARE
 & MORE

SDX SERIES

STANDARD CONCEALED HINGES

FULL OVERLAY

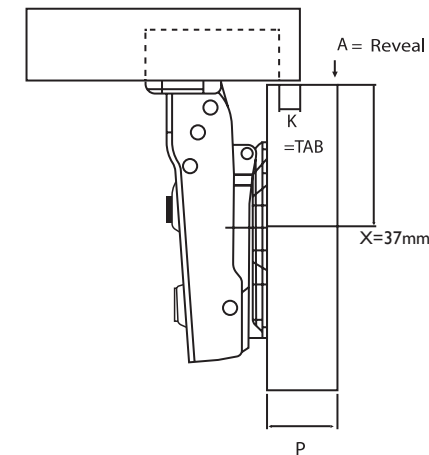


P=	16	17	18	19
K=3 A=	1	2	3	4
K=4 A=	0	1	2	3
K=5 A=	-1	0	1	2
K=6 A=	-2	-1	0	1

P = Cabinet Panel Thickness
 A = Cabinet Panel Reveal when door is closed
 K = Tab or Drilling Distance from edge of door

Constant Distance
 Full Overlay 12mm

HALF OVERLAY

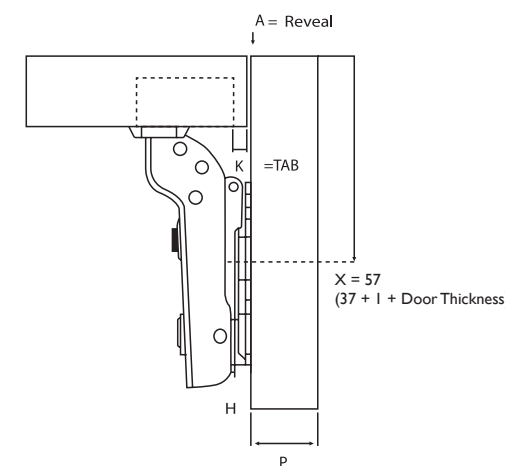


P=	16	17	18	19
K=3 A=	10	11	12	13
K=4 A=	9	10	11	12
K=5 A=	8	9	10	11
K=6 A=	7	8	9	10

P = Cabinet Panel Thickness
 A = Cabinet Panel Reveal when door is closed
 K = Tab or Drilling Distance from edge of door

Constant Distance
 Half Overlay 3mm

INSET



K Distance	K=3	K=4	K=5	K=6
H=0 A=	3	2	1	0
H=2 A=	5	4	3	2

(H= Plate Thickness)
 P = Cabinet Panel Thickness
 A = Cabinet Panel Reveal when door is closed
 K = Tab or Drilling Distance from edge of door

Constant Distance
 Inset -6mm

FULL OVERLAY 110°



Click On Hinge 110°, FO, SC,
#633A.CL No Dowels
#634A.CL With Dowels
CASE QTY 200

**FULL OVERLAY W/CAM
ADJUSTMENT 110°**



Click On Cam Hinge 110°,
FO, SC, w/ Dowels
HCAM634A.CL
CASE QTY 200

HALF OVERLAY 110°



Click On Hinge 110°, HO, SC
#633B.CL No Dowels
#634B.CL With Dowels
CASE QTY 200

INSET 110°



Click On Hinge 110°, Inset, SC
#633C.CL No Dowels
#634C.CL With Dowels
CASE QTY 200

FULL OVERLAY 120°



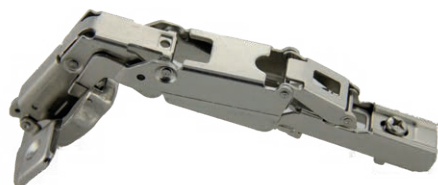
Click On Hinge 120°, FO, SC
#649A.CL No Dowels
#659A.CL With Dowels
CASE QTY 200

CORNER



Corner Clip-On Hinge
w/ Dowels
H30-D.CL 30°
H45-D.CL 45°
CASE QTY 200

165° HINGE



Click On Hinge 165°, FO, SC,
H51A.CL No Dowels
H52A.CL With Dowels
CASE QTY 100

PIE CORNER



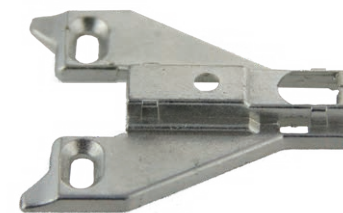
Click On Pie Corner Hinge
w/ Dowels
H80-D.CL
CASE QTY 200

BLIND CORNER



Click On Blind Corner
Hinge no Dowels
H90.CL
CASE QTY 200

FACE-FRAME PLATES



Click On 0mm
Face Frame Plate
FCL.0 5/8" Overlay
FCL.3 1/2" Overlay
FCL.6 3/8" Overlay
CASE QTY 200



Click On 0mm
Steel Face Frame Plate
FCL.S.0 5/8" Overlay
FCL.S.3 1/2" Overlay
FCL.S.6 3/8" Overlay
CASE QTY 200



CAM Click On
Face Frame Plate
FCLCAM.0 0mm 5/8" OL
FCLCAM.3 3mm 1/2" OL
CASE QTY 200

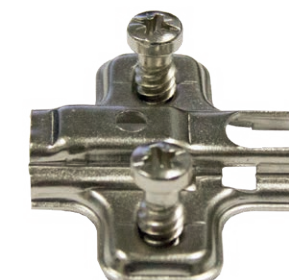
FRAMELESS STEEL PLATE



Click On Steel Box Plate.
3/4" OL for frameless
cabinets
CLK.0 0mm
CLK.2 2mm
CASE QTY 200



0mm Box Plate w/ Special
Adjustment Screw & Euro
Screws. No CAM, 3/4" OL
CLK.OSC
CASE QTY 200



Click On Stamped Steel Box
Plate. 5/8" OL for
frameless cabinets
CLK.OS 0mm
CLK.2S 2mm
CLK.4S 4mm
CASE QTY 200

FRAMELESS STEEL PLATE W/CAM ADJUSTMENT



Steel Box Plate
w/ Cam Adjustment
without screw
T00TQ 0mm
T20TQ 2mm
T40TQ 4mm
CASE QTY 200



Steel Box Plate
w/ Cam Adjustment w/ Screws
T02TQ 0mm w/ Screws
T0CTQ 0mm w/ Dowels
& Screws
T22TQ 2mm w/ Screws
T42TQ 4mm w/ Screws
CASE QTY 200



PRIDE INDUSTRIAL®
 DECORATIVE HARDWARE
 FUNCTIONAL HARDWARE
 & MORE

SDX SERIES

STANDARD CONCEALED HINGES

SLIDE ON SDX SERIES

FULL OVERLAY



Slide On Hinge 110°, FO, SC
#633A.SO No Dowels

CASE QTY 200

INSET



Slide On Hinge 110°, Inset,
 SC no Dowels
#633C.SO

CASE QTY 200

FRAMELESS PLATE



Slide On 0mm
 Metal Box Plate
 For Frameless Cabinets

SLO.0 3/4" OL

SLO.2 5/8" OL

CASE QTY 200



PRIDE INDUSTRIAL®
 DECORATIVE HARDWARE
 FUNCTIONAL HARDWARE
 & MORE

COMPACT & SHORT ARM HINGES

SELF-CLOSE AND SOFT CLOSE

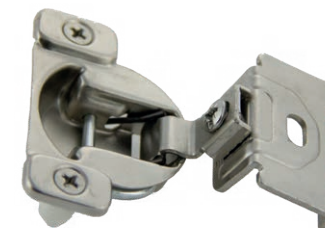


1 Pc Face Frame Hinge
 w/ Dowels

H250-D 1/2" OL

H254-D 3/4" OL

CASE QTY 200



1 Pc Face Frame Hinge 1-3/8" OL

H260 1-3/8" OL No Dowels

CASE QTY 200

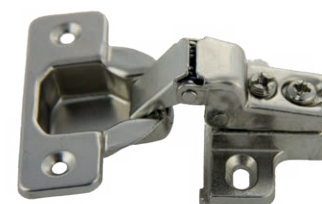


6 Way 3 Cam Adjustable 1 pc
 Face Frame Hinge 1-1/4"

H292-D With Dowels

H292-D-SC

CASE QTY 200



Short Arm Face Frame
 Hinge = 3/8" Overlay

H275 No Dowels

CASE QTY 200

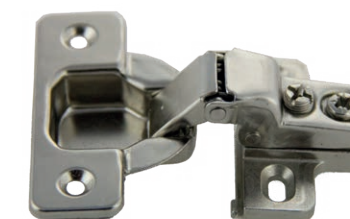


Short Arm Face Frame
 Hinge w/ STEEL PLATE

H275.S-D 3/8" Overlay

H280.S-D 1/2" Overlay

CASE QTY 200

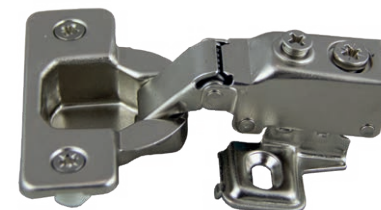


Short Arm Face Frame
 Hinge = 1/2" Overlay

H280 No Dowels

H280-D With Dowels

CASE QTY 200



Short Arm Soft Close Face
 Frame CAM Hinge Steel Plate
 1/2" Overlay w/ Dowel

HCAM280-D-SC w/Dowel

HCAM280-SC No Dowe

CASE QTY 200



Short Arm Face Frame CAM
 Hinge W/Cam Steel Plate 1/2"
 Overlay with Dowel

H2CAM280-D with Dowel

CASE QTY 200



Short Arm Face Frame CAM
 Hinge W/Cam Steel Plate 1/2"
 Overlay no Dowel

H2CAM280-SC

H2CAM280-D-SC with Dowel

CASE QTY 200



PRIDE INDUSTRIAL®
 DECORATIVE HARDWARE
 FUNCTIONAL HARDWARE
 & MORE

COMPACT & SHORT ARM HINGES
 SELF-CLOSE AND SOFT CLOSE



4 Way 2 Cam Adjustable 1 pc
 Face Frame Hinge 1/2" OL
H294 No Dowels
H294-D With Dowels

CASE QTY 200



Soft Close 4 Way 2 Cam Adjust-
 able 1 pc Face Frame Hinge
 w/ Dowels 1/2" OL
H294-SC No Dowels
H294-D-SC Dowels

CASE QTY 200



4 Way 2 Cam Adjustable 1 pc
 Face Frame Hinge 3/4" OL
H295 No Dowels
H295-D With Dowels

CASE QTY 200



Soft Close 4 Way 2 Cam
 Adjustable 1 pc Face Frame
 Hinge 3/4" OL
H295-SC No Dowels
H295-D-SC With Dowels

CASE QTY 200



6 Way 3 Cam Adjustable 1 pc
 Face Frame Hinge w/ Dowels
 1/2" OL
H296-D

CASE QTY 200



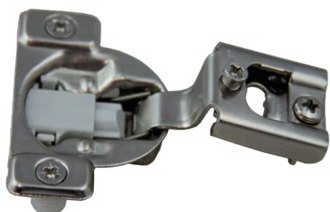
4 Way 2 Cam Adjustable 1 pc
 Face Frame Hinge 1-1/4" OL
H297 No Dowels
H297-D With Dowels

CASE QTY 200



Soft Close 4 Way 2 Cam Adjust-
 able 1 pc Face Frame Hinge w/
 Dowels 1-1/4" OL
H297-SC No Dowels
H297-D-SC With Dowels

CASE QTY 200



4 Way 2 Cam Adjustable 1 pc
 Face-Frame Hinge w/ Dowels
 1" OL
H298-D No Soft Close
H298-D-SC Soft Close

CASE QTY 200



Soft Close 6 Way 3 Cam
 Adjustable 1 Pc Face Frame Clip
 on hinge W/Dowel 1-1/4" OL
HCLP297DSC
HCLP297DSCUA

CASE QTY 200



PRIDE INDUSTRIAL®
 DECORATIVE HARDWARE
 FUNCTIONAL HARDWARE
 & MORE

L-BRACKETS & MENDING PLATES



LB-
 "L" Bracket

Size	Colors	Item Number	Case	Weight/Case
3/4 x 3/4	Black	LB-3/4.BK	2 M	29 lbs
3/4 x 3/4	Zinc	LB-3/4.ZP	2 M	29 lbs
1 x 1	Zinc	LB-1.ZP	1 M	18 lbs
1.5 x 1.5	Zinc	LB-1.5.ZP	1 M	28 lbs
2 x 2	Zinc	LB-2.ZP	0.5 M	19 lbs
2.5 x 2.5	Zinc	LB-2.5.ZP	0.5 M	30 lbs
3 x 3	Zinc	LB-3.ZP	0.5 M	41 lbs
3.5 x 3.5	Zinc	LB-3.5.ZP	300	39 lbs
4 x 4	Zinc	LB-4.ZP	200	40 lbs

1M = 1,000



F-B
 Black Flat Bracket

Size	Item Number	Case	Weight/Case
2 x 4	F-B 2 X 4.BK	200	32 lbs
2 x 6	F-B 2 X 6.BK	200	53 lbs
2-1/4 x 2-1/4	F-B 2-1/4.BK	300	30 lbs
3 x 6	F-B 3 x 6.BK	50	37.5 lbs



FIGURE 8
 Heavy Duty Figure 8

CASE QTY 2M **WEIGHT/CASE** 23 lbs



MP-
 Mending Plate Zinc Plated

Size	Item Number	Case Qty	Weight/Case
2"	MP-2.ZP	1 M	18 lbs
3"	MP-3.ZP	1 M	28 lbs
4"	MP-4.ZP	0.5M	18 lbs

1M = 1,000



CB90.
 90 Degree Corner Bracket
 1-1/4 x 1-1/4 x 2-1/4 Tall

CASE QTY 500 **WEIGHT/CASE** 36 lbs

Available Colors	Item Number
Black	CB90.BK
Zinc	CB90.ZP



CB94.BK
 90 Degree Corner Bracket 3/4 x 5"

CASE QTY 500 **WEIGHT/CASE** 44 lbs



PRIDE INDUSTRIAL®
 DECORATIVE HARDWARE
 FUNCTIONAL HARDWARE
 & MORE

SHELF SUPPORT



SS19-5MM.ZP

5mm x 24mm Straight Shelf Pin ZP

CASE QTY 5M **WEIGHT/CASE** 35 lbs

Available Colors Zinc Plated
Item Number SS19-5MM.ZP



SS20-5MM.ZP

5mm x 16mm Duplo Shelf Pin ZP

CASE QTY 5M **WEIGHT/CASE** 26 lbs

Available Colors Zinc Plated
Item Number SS20-5MM.ZP



SS21-5MM.

5mm Spoon Shaped Shelf Support

CASE QTY 5M **WEIGHT/CASE** 26 lbs

BOX QTY 1M

Available Colors Antique Brass
 Nickel
 Brass
Item Number SS21-5MM.AB
 SS21-5MM.NI
 SS21-5MM.PB



SS01-5MM.

5mm "L" Shaped Shelf Support

CASE QTY 2M **WEIGHT/CASE** 25 lbs

BOX QTY 0.1M

Available Colors Antique Brass
 Nickel
 Brass
Item Number SS01-5MM.AB
 SS01-5MM.NI
 SS01-5MM.PB



SS21-1/4.

1/4" Spoon Shaped Shelf Support

CASE QTY 3.5M **WEIGHT/CASE** 35 lbs

BOX QTY 0.1M

Available Colors Antique Brass
 Antique Copper
 Nickel
 Brass
Item Number SS21-1/4.AB
 SS21-1/4.AC
 SS21-1/4.NI
 SS21-1/4.PB



SS01-1/4.

1/4 "L" Shaped Shelf Support

CASE QTY 2M **WEIGHT/CASE** 31 lbs

BOX QTY 1M

Available Colors Antique Brass
 Nickel
 Brass
Item Number SS01-1/4.AB
 SS01-1/4.NI
 SS01-1/4.PB



B-3/4.WT

White Plastic Spacer Block 3/4

CASE QTY 1,000 **WEIGHT/CASE** 11 lbs



PRIDE INDUSTRIAL®
 DECORATIVE HARDWARE
 FUNCTIONAL HARDWARE
 & MORE

SHELF SUPPORT



SL10WT

Plastic Locking Shelf Support

Shelf Lock 4.75mm Dia Pin

CASE QTY 3M **WEIGHT/CASE** 5.28 lbs



SS35-

Plastic Locking Shelf Support

5mm x 5/8" Shelf

CASE QTY 5M **WEIGHT/CASE** 31 lbs

Available Colors Clear
 White
Item Number SS35-CLR
 SS35-WT



SS23.

Shelf Support w/ 5mm Metal Pin

CASE QTY 5M **WEIGHT/CASE** 41 lbs

BOX QTY 1M

Available Colors Clear
 White
Item Number SS23.CLR
 SS23.WT



SS36-

Plastic Locking Clear Shelf Support

5mm x 3/4" Shelf

CASE QTY 5M **WEIGHT/CASE** 31 lbs

Available Colors Clear
 White
Item Number SS36-CLR
 SS36-WT



RTA-

Connector Screw M4 Thread x 15mm Long

CASE QTY 4M

BOX QTY 1M

Available Colors Connector Screw
 Connector Sleeve 27mm
 Connector Sleeve 35mm
Item Number RTA-15.NI
 RTA-27.NI
 RTA-35.NI



RTA-3.

RTA 32mm Male & Female Fittings

CASE QTY 2,500 **WEIGHT/CASE** 26 lbs

Available Colors Brown
Item Number RTA-3.BN

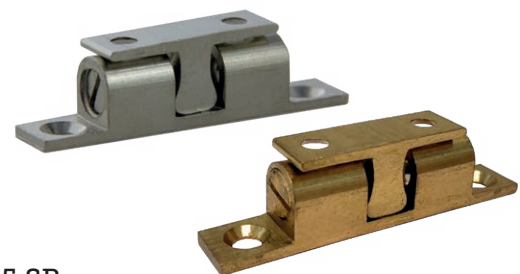


PRIDE INDUSTRIAL®
 DECORATIVE HARDWARE
 FUNCTIONAL HARDWARE
 & MORE

RTA & CATCHES



EC-14.AL
 Elbow Catch Aluminum with Strike Plate
CASE QTY 1,000 **WEIGHT/CASE** 41 lbs
BOX QTY 100



C285.SB.
 2" Double Ball Catch Solid Brass
CASE QTY 1,000 **WEIGHT/CASE** 33 lbs
BOX QTY 50
Available Colors **Item Number**
 Nickel Plated C285.SB.NI
 Polished Brass C285.SB.PB



PRIDE INDUSTRIAL®
 DECORATIVE HARDWARE
 FUNCTIONAL HARDWARE
 & MORE

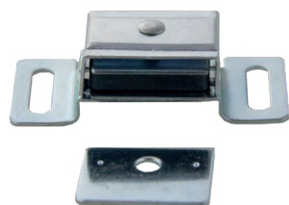
CATCHES



C411.
 Heavy Duty Double Roller Catch
CASE QTY 1,000 **WEIGHT/CASE** 41 lbs
BOX QTY 100
Available Colors **Item Number**
 Antique Copper C411.AC
 Zinc Plated C411.ZP



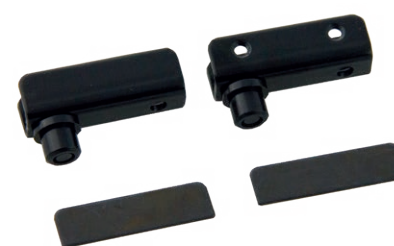
C04.
 Double Roller Catch
CASE QTY 1,000 **WEIGHT/CASE** 41 lbs
BOX QTY 100
Available Colors **Item Number**
 Antique Copper C04.AC
 Zinc Plated C04.ZP



C241.AL
 Regular Aluminum Mag Poly Bagged
 w/ Plate & Screws
CASE QTY 500 **WEIGHT/CASE** 41 lbs
BOX QTY 50
Available Colors **Item Number**
 Aluminum C241.AL



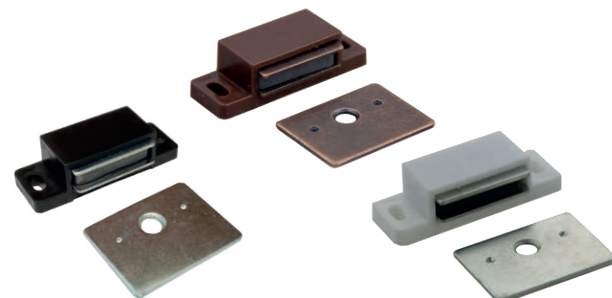
C242.AL
 Heavy Duty Aluminum Mag Poly Bagged
 w/ Plate & Screws
CASE QTY 500 **WEIGHT/CASE** 56 lbs
BOX QTY 50
Available Colors **Item Number**
 Aluminum C242.AL



H2500.BK
 Glass Door Hinge Black w/ Metal Screws
CASE QTY 500 **WEIGHT/CASE** 61 lbs
Available Colors **Item Number**
 Black H2500.BK



SP-245.BK
 Glass Door Strike Plate Matte Black
CASE QTY 1,000 **WEIGHT/CASE** 31 lbs
BOX QTY 500
Available Colors **Item Number**
 Matte Black SP-245.BK



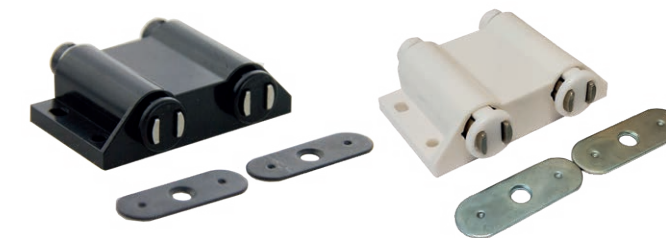
C509.
 Single Mag Catch w/ Strike Plate & Screws
CASE QTY 1,000 **WEIGHT/CASE** 51 lbs
BOX QTY 100
Available Colors **Item Number**
 Black/Zinc Plate C509.BK/ZP
 Brown/Antique Copper C509.BN/AC
 White/Zinc Plate C509.WT/ZP



C250.
 Heavy Duty Mag Catch
 w/ Strike Plate & Screws
CASE QTY 500 **WEIGHT/CASE** 46 lbs
BOX QTY 50
Available Colors **Item Number**
 Brown/Antique Copper C250.BN/AC
 White/Zinc Plate C250.WT/ZP



C907.
 Single Mag Touch Latch Poly Bagged
 w/ Screws & Plate
CASE QTY 1,000 **WEIGHT/CASE** 51 lbs
BOX QTY 250
Available Colors **Item Number**
 Black C907.BK
 White C907.WT



C927.
 Double Mag Touch Latch Poly Bagged
 w/ Screws & Plates
CASE QTY 500 **WEIGHT/CASE** 51 lbs
BOX QTY 125
Available Colors **Item Number**
 Black C927.BK
 White C927.WT



PRIDE INDUSTRIAL®
 DECORATIVE HARDWARE
 FUNCTIONAL HARDWARE
 & MORE

SHUTTER HARDWARE



H739-RP.

Self Closing Flush Hinge
 RETAIL Pack with Screws and Pads

CASE QTY 200 **WEIGHT/CASE** 33 lbs
BOX QTY 10

Available Colors	Item Number	
Oil Rubbed Bronze	H739-RP.10B	
Antique Brass	H739-RP.AB	
Matte Black	H739-RP.BK	
Brass Plated	H739-RP.BP	100/25 P
Dull Nickel	H739-RP.DN	100/25 P



H739

Self Closing Flush Hinge

CASE QTY 200 **WEIGHT/CASE** 33 lbs

Available Colors	Item Number
Matte Black	H739.BK
Brass Plated	H739.BP
Dull Nickel	H739.DN
Chrome Plated	H739.PC
White	H739.WT



H650.AB

Armoire Hinge 270 Degree Antique Brass

3/4" OL x 3/4" Door

CASE QTY 200 **WEIGHT/CASE** 51 lbs

Available Colors	Item Number
Antique Brass	H650.AB



PRIDE INDUSTRIAL®
 DECORATIVE HARDWARE
 FUNCTIONAL HARDWARE
 & MORE

SHUTTER HARDWARE



H123.

Shutter Butt Hinge 2-1/2" x 1-1/2" w/ Loose Pin

CASE QTY 500 **WEIGHT/CASE** 46 lbs
BOX QTY 50

Available Colors	Item Number
Antique Brass	H123.AB
Almond	H123.AL
White	H123.WT

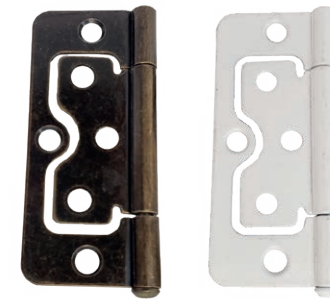


H130.NI

3 Leaf Flag Hinge Nickel Plate

CASE QTY 200 **WEIGHT/CASE** 25 lbs

Available Colors	Item Number
Nickel Plated	H130.NI



H145.

Non-Mortise Shutter Hinge 3" w/ Loose Pin

CASE QTY 500 **WEIGHT/CASE** 61 lbs
BOX QTY 50

Available Colors	Item Number
Antique Brass	H145.AB
White	H145.WT



H124.

Shutter Butt Hinge 2-1/2" x 2-1/2" w/ Loose Pin

CASE QTY 500 **WEIGHT/CASE** 86 lbs
BOX QTY 50

Available Colors	Item Number
Antique Brass	H124.AB
Almond	H124.AL
White	H124.WT



PRIDE INDUSTRIAL®
 DECORATIVE HARDWARE
 FUNCTIONAL HARDWARE
 & MORE

SHUTTER HARDWARE



SHS-6.

Shutter Screw Flat Head Phillip Drive
 6 x 3/4 Type 17

CASE QTY 10,000 **WEIGHT/CASE** 23 lbs
BOX QTY 1,000

Available Colors	Item Number
Antique Brass	SHS-6.AB
Almond	SHS-6.AL



SHC-2.

Shutter Catch INSET

CASE QTY 1,000 **WEIGHT/CASE** 21 lbs
BOX QTY 100

Available Colors	Item Number
Brass Plated	SHC-2.BP
White	SHC-2.WT
Zinc Plated	SHC-2.ZP



SHC-1.ZP

Shutter Catch OUTSET Zinc Plated

CASE QTY 1,000 **WEIGHT/CASE** 21 lbs
BOX QTY 100



SHP-21.WT

Shutter Pin White

CASE QTY 10,000 **WEIGHT/CASE** 11 lbs
BOX QTY 2,500

Available Colors	Item Number
White	SHP-21.WT



SRP-30.WT

Shutter Repair Pin White pack

CASE QTY 10,000 **WEIGHT/CASE** 11 lbs
BOX QTY 1,000

Available Colors	Item Number
White	SRP-30.WT



PRIDE INDUSTRIAL®
 DECORATIVE HARDWARE
 FUNCTIONAL HARDWARE
 & MORE

LEG HARDWARE



PL100.BK

Peninsula Leg 3" Dia x 27-3/4" High
 Matte Black

* Recommended Leveler for Leg:
 LV516-138.BK Page 152
 (Sold Separately)



HL300.BK

"H" Leg 27-3/4" High Matte Black



CL40-

Cabinet Adjustable Leg W/Toe Kick Clip Option

Available Sizes	Item Number
3-3/4"	CL40-100
4-3/4"	CL40-120
5-3/4"	CL40-150
OPTIONAL CLIP	CL40-CLIP (1000/200) Set
CASE QTY 200	BOX QTY 50



PRIDE INDUSTRIAL®
 DECORATIVE HARDWARE
 FUNCTIONAL HARDWARE
 & MORE

LEG HARDWARE



CL50-
 Cabinet Adjustable Leg Black Wrinkle

Available Sizes	Item Number
4"	CL50-100.BKW
6"	CL50-150.BKW
8"	CL50-200.BKW
CASE QTY	24

CL50-
 Cabinet Adjustable Leg Satin Chrome

Available Sizes	Item Number
4"	CL50-100.SC
6"	CL50-150.SC
8"	CL50-200.SC
CASE QTY	24



PRIDE INDUSTRIAL®
 DECORATIVE HARDWARE
 FUNCTIONAL HARDWARE
 & MORE

GROMMETS



GR186-45.BK
 1-3/4" Plastic 2 pc Grommet Black
CASE QTY 1,000 **WEIGHT/CASE** 51 lbs
Available Colors Black
Item Number GR186-45.BK



GR187-51.
 51mm Deluxe Plastic 3 pc Grommet
CASE QTY 1,000 **WEIGHT/CASE** 51 lbs
BOX QTY 200
Available Colors Black, Brown, Gray, White
Item Number GR187-51.BK, GR187-51.BN, GR187-51.GRY, GR187-51.WT



GR188-60.
 60mm Deluxe Plastic 3 pc Grommet
CASE QTY 500 **WEIGHT/CASE** 26 lbs
Available Colors Black, Brown, Gray, White
Item Number GR188-60.BK, GR188-60.BN, GR188-60.GRY, GR188-60.WT



GR189-70.
 70mm Deluxe Plastic 3 pc Grommet
CASE QTY 400 **WEIGHT/CASE** 25 lbs
Available Colors Black, Brown, Gray, White
Item Number GR189-70.BK, GR189-70.BN, GR189-70.GRY (200), GR189-70.WT (500)



GR190-80.
 80mm Deluxe Plastic 3 pc Grommet
CASE QTY 300 **WEIGHT/CASE** 19 lbs
Available Colors Black, Brown, Gray, White
Item Number GR190-80.BK, GR190-80.BN, GR190-80.GRY, GR190-80.WT



GR1350-40.BK
 1 pc Metal Grommet 40mm (1-3/4") Matte Black
CASE QTY 500 **WEIGHT/CASE** 32 lbs
Available Colors Black
Item Number GR1350-40.BK



PRIDE INDUSTRIAL®
 DECORATIVE HARDWARE
 FUNCTIONAL HARDWARE
 & MORE

GROMMETS



GRE-71880003-
 Electric Grommet, 80mm w/ 2 USB connections & power outlet

Available Colors	Item Number
Black	GRE-71880003-BK
Grey/Silver	GRE-71880003-GRY



GR-82910.
 63mm (2-1/2") 2 pc Metal Grommet

CASE QTY	150	WEIGHT/CASE	46 lbs
BOX QTY	15		

Available Colors	Item Number
Black	GR-82910.BK
Satin Nickel	GR-82910.SN



GR22.BK
 80mm 1 pc Grommet w/ Flexible Top Black

Available Colors	Item Number
Black	GR22.BK



GR76.
 3" Plastic 2 pc Grommet

CASE QTY	100	WEIGHT/CASE	9 lbs
-----------------	-----	--------------------	-------

Available Colors	Item Number
Black	GR76.BK
Light Gray	GR76.LT-GRAY



GR63.
 63mm (2-1/2") Plastic 2 pc Grommet

CASE QTY	200	WEIGHT/CASE	9 lbs
-----------------	-----	--------------------	-------

Available Colors	Item Number
Black	GR63.BK
White	GR63.WT



PRIDE INDUSTRIAL®
 DECORATIVE HARDWARE
 FUNCTIONAL HARDWARE
 & MORE



B850.NP
 Bed Rail Fastener 5" w/ Round Corners
 Zinc Plated

CASE QTY	25 SETS	WEIGHT/CASE	20 lbs
-----------------	---------	--------------------	--------



TR6X1.SS TR6X2.SS TR6X6.SS



TR8X1.SS TR8X2.SS

TR
 Stainless Steel Trash Ring

Available Sizes	Item Number	CASE QTY
6" Dia x 1" Deep	TR6X1.SS	108 pieces
6" Dia x 2" Deep	TR6X2.SS	60 pieces
6" Dia x 6" Deep	TR6X6.SS	24 pieces
8" Dia x 1" Deep	TR8X1.SS	72 pieces
8" Dia x 2" Deep	TR8X2.SS	42 pieces



BKT-100
 Breadboard Bracket

CASE QTY	200	WEIGHT/CASE	31 lbs
-----------------	-----	--------------------	--------



L35.KA.
 7/8" Desk Lock Keyed Alike

CASE QTY	240	WEIGHT/CASE	39 lbs
BOX QTY	12		
Available Colors	Item Number		
Brass Plated	L35.KA.PB		



SWIVEL-17.AL
 Aluminum Swivel 17-3/8" 250 lbs Capacity

CASE QTY	10	WEIGHT/CASE	40 lbs
-----------------	----	--------------------	--------



FF
 False Front Catch Metal Clip and Front Dowel

CASE QTY	100
FFS11	False Front Dowel
FFC11	False Front Metal Clip



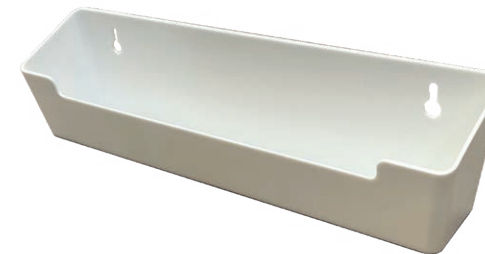
PT10.BK
 Plastic Pencil Tray Black 5-1/2" x 12-3/4" x 1"

CASE QTY	100	WEIGHT/CASE	30 lbs
-----------------	-----	--------------------	--------



NG58.
 5/8" Plastic Nail Glide

CASE QTY	10M	WEIGHT/CASE	35 lbs
BOX QTY	5M		
Available Colors	Item Number		
Tan	NG58.TN		
White	NG58.WT		



TRAY
 False Front Tray Plastic with no tab

CASE QTY	100
Available Sizes	Item Number
11"	TRAY 11.PLAS
14"	TRAY 14.PLAS



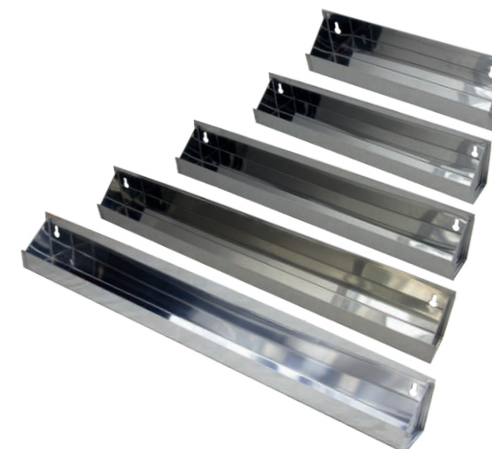
NG34.
 3/4" Plastic Nail Glide

CASE QTY	10M	WEIGHT/CASE	38 lbs
BOX QTY	5M		
Available Colors	Item Number		
Tan	NG34.TN		
White	NG34.WT		



NG78.
 7/8" Plastic Nail Glide

CASE QTY	10M	WEIGHT/CASE	41 lbs
BOX QTY	5M		
Available Colors	Item Number		
Tan	NG78.TN		
White	NG78.WT		



TRAY
 False Front Tray Stainless Steel

CASE QTY	10
Available Sizes	Item Number
11"	TRAY 11.SS
14"	TRAY 14.SS
16"	TRAY 16.SS
19"	TRAY 19.SS
22"	TRAY 22.SS
25"	TRAY 25.SS
28"	TRAY 28.SS



EUSKT-2-R	106	H145	134	K-6361	54	M	P-21768	37	P-8233	42	P-97160	10	POST-M	75
EUSKT-5-L	106	H2500	132	K-7141	55,63		P-2278	57	P-82981	42	P-A012	57	POST-M-5X36	76
EUSKT-5-R	106	H250-D	126	K-80110	48	MEGA PRO	P-242	35	P-83063	48	P-A51012	7	POST-M-H	73
EUSKT-6-L	106	H254-D	126	K-8026	62	(90 series)	P-259	60	P-83092	28	P-A5108	7	POST-S	72
EUSKT-6-R	106	H260	126	K-80576	47	MP	P-29255	40	P-83572	24	P-A52012	7	POST-S-5X42	72
		H275	126	K-80650	55		P-3131	60	P-847	59	P-A5208	7	POST-T	75
F		H275.S-D	126	K-80960	49	N	P-3167	60	P-86373	27	P-A53012	7	POST-X	71
		H280	126	K-80975	54		P-350-3	49	P-86374	27	P-A5308	7	POST-X-5X42	72
F-B	128	H280.S-D	126	K-80980	51	NG34	P-353	50	P-86375	27	P-A54012	7	PT10	141
FCL.0	124	H280-D	126	K-810	52	NG58	P-354	50	P-86718	45	P-A5408	7		
FCL.3	124	H292-D	126	K-81021	54	NG78	P-355	50	P-86765	46	P-A55012	8	R	
FCL.6	124	H292-D-SC	126	K-81091	28		P-356	50	P-87140	26	P-A5508	8		
FCL.S.0	124	H294	127	K-81353	46	O	P-370	35	P-87215	39	P-A56012	8	R-1401	63
FCL.S.3	124	H294-D	127	K-81361	21		P-396	50	P-87216	39	P-A5608	8	R-1501	63
FCL.S.6	124	H294-D-SC	127	K-81784	46	ONLAY-1-L	P-433	59	P-87218	39	P-A57012	8	R-1701	63
FCLCAM.0	124	H294-SC	127	K-82115	47	ONLAY-1-M	P-4655	56	P-87226	25	P-A5708	8	RTA	130
FCLCAM.3	124	H295	127	K-82142	62	ONLAY-1-S	P-50-160	40	P-87227	25	P-A58012	8	RTA-3	130
FF	141	H295-D	127	K-82393	61	ONLAY-2-L	P-50M	40	P-87228	26	P-A5808	8		
FIGURE 8	128	H295-D-SC	127	K-82928	62	ONLAY-2-M	P-50S	40	P-87229	26	PB-9	85	S	
FORTE PRO 3/4 6X		H295-SC	127	K-82929	62	ONLAY-2-S	P-50SG	40	P-87300	26	PED-2-C	85		
(8534 series)	97	H296-D	127	K-82980	53		P-675	59	P-8731.SN	56	PED-3-L	85	SHC-1	135
FORTE PRO 6X		H297	127	K-83125	24	P	P-7166	57	P-87328	26	PED-3-R	85	SHC-2	135
(8500 series)	96	H297-D	127	K-83990	53		P-72276	36	P-88	61	PED-C	85	SHP-21	135
FSBRKT	69	H297-D-SC	127	K-83991	53	P-0136	P-72277	36	P-88760	59	PED-CR	85	SHS-6	135
FSM1012	69	H297-SC	127	K-86618	45	P-0146	P-72278	36	P-888	57	PED-L	85	SL10WT	130
FSM1024	69	H298-D	127	K-910	52	P-0178	P-80008	47	P-90196	26	PED-M	85	SLO.0	125
FSM1036	69	H298-D-SC	127	K-91090	21	P-092910	P-80014	44	P-90396	41	PED-R	85	SLO.2	125
FSM1042	69	H2CAM280-D	126	K-910H	52	P-1011	P-8004	59	P-904	60	PERFORM MAX 6X		SOFT PRO X	
FSWALNUT12	69	H2CAM280-D-SC	126	K-92230	13,15,	P-104	P-80215	44	P-908	58	(9903 series)	91	(4903 Series)	99
FSWALNUT24	69	H2CAM280-SC	126		22,41	P-105	P-80281	48	P-91296	22	PERFORM PRO 2X		SP-245	132
FSM1030	69	H30-D.CL	123	K-92430	13,15,	P-106	P-80289	49	P-91297	22	(9800 series)	94	SRP-30	135
FSWALNUT30	69	H45-D.CL	123		22,41	P-1068H	P-80290	49	P-91298	22	PERFORM PRO 3/4 2X		SS01-1/4	129
FSWALNUT36	69	H51A.CL	123	K-928	51	P-107	P-80572	24	P-91496	21	(8034 series)	95	SS01-5MM	129
FSWALNUT42	69	H52A.CL	123	K-92925	19	P-108	P-8065	56	P-91497	21	PERFORM PRO 3/4 6X		SS19-5MM	129
FSWTOAK12	69	H650	133	K-93002	11	P-108H	P-80753	42	P-91498	21	(8834 series)	93	SS20-5MM	129
FSWTOAK24	69	H739	133	K-93122	12	P-109	P-80814	58	P-92836	20	PERFORM PRO 6X		SS21-1/4	129
FSWTOAK30	69	H739-RP	133	K-94723	19	P-1096	P-80815	58	P-92837	20	(9880 series)	92	SS21-5MM	129
FSWTOAK36	69	H740	112	K-94727	20	P-1096H	P-80846	44	P-92838	20	PL100	136	SS23	130
FSWTOAK42	69	H760	112	K-95003	10	P-110	P-80846.128	44	P-92926	17	POST-A	74	SS35	130
		H760-45	112	K-970	51	P-112	P-81065	56	P-92927	18	POST-A-5X36	75	SS36	130
G		H780	112	K-971	51	P-113	P-81092	28	P-92928	18	POST-A-5X42	76	SW-16-40G	143
		H80-D.CL	123	K-972	45	P-114	P-81145	57	P-93096	14	POST-A-H	73	SWIVEL-17	141
		H90.CL	123			P-115	P-81235	38	P-93128	14	POST-B	74		
GR1350-40	138	HCAM280-D-SC	126	L		P-116	P-81297	46	P-93160	14	POST-B-5X36	75	T	
GR186-45	138	HCAM280-SC	126			P-118	P-81366	45	P-94096	16	POST-B-H	73		
GR187-51	138	HCAM634A.CL	123	L35.KA	141	P-119	P-81393	61	P-94128	16	POST-C	74	T00TQ	124
GR188-60	138	HCLP297DSC	127	LB	128	P-120	P-81456	37	P-94160	16	POST-C-5X36	75	T02TQ	124
GR189-70	138	HCLP297DSCUA	127	LEG-1	87	P-122	P-81458	37	P-94210	16	POST-C-5X42	76	TOCTQ	124
GR190-80	138	HL300	136	LEG-3	87	P-124	P-81541	39	P-95096	11	POST-C-H	73	T20TQ	124
GR22	139			LEG-4	87	P-126	P-81542	39,56	P-95128	11	POST-D	74	T22TQ	124
GR63	139	K		LEG-6	87	P-128	P-81572	24	P-95160	11	POST-E	74	T40TQ	124
GR76	139			LS18	111	P-130	P-81837	35	P-953	42	POST-E-H	73	T42TQ	124
GR-82910	139			LS24	111	P-133	P-81929	62	P-954	58	POST-F-5X36	76	TBS	79
GRE-71880003	139	K-1012	63	LS28	111	P-1700	P-82034	38	P-955	61	POST-G	74	TBT	79
		K-102	29,33	LS32	111	P-1803	P-82092	28	P-96096	12	POST-G-5X36	76	TR	140
H		K-1218	17,27			P-1806	P-82103	38	P-96128	12	POST-G-H	73	TRAY	142
		K-1667	44			P-1809	P-82104	38	P-96160	12	POST-J	75		
H123	134	K-3910	55			P-1812	P-82106	38	P-97096	10	POST-K	71		
H124	134	K-53082	54			P-1876	P-82234	38	P-97128	10	POST-K-5X42	71		
H130	134	K-6030	55											



TERMS & CONDITIONS

All sales are expressly conditioned on Buyer's agreement to the terms and conditions set forth below. Any order or statement of intent to purchase goods, or any direction to proceed with procurement or shipment of goods, or any acceptance of or payment for goods shall constitute Buyer's agreement to those terms and conditions. No other representative of Seller is authorized to modify these terms and conditions, or to agree to any additional or different terms or conditions.

New Orders

All new orders must be submitted in writing. They can either be emailed to: sales@prideindustrial.com or faxed to 909-334-4377

Will Call

Pride Industrial requires a 3 hour window for will call orders. If an early pick-up is required, the order must be submitted and confirmed the day before the pick-up. If a truck or carrier will be picking up, please request an appointment to avoid delays.

Will Call hours are from 10:00 AM to 3:00 PM, Monday through Friday. Hours subject to change without notice.

Shipping

Unless otherwise noted on the purchase order, Pride Industrial reserves the right to choose the best shipping method and bill for freight charges.

Return Policy

1) For products without defect and or no error in order preparation /shipping on Pride's part, we can accept return:

- Within 48 hours of order placing with 0% restocking fee.
- After 48 hours but within 10 days from order placing date: 10% restocking fee.
- After 10 days up to 90 days from order placing date: 20% restocking fee.
- No return is accepted after 90 days.
- All products for return must be in factory original packaging and be in resalable condition.
- No returns will be accepted at Pride without a RMA attached to the return.
- Freight will be prepaid by customer.

NOTE:

SPECIAL ORDER ITEMS MAY NOT BE RETURNED.

2) For products with possible defect and or error in order preparation/shipping on Pride's part:

- There will be no restocking fee.
- But return must be secured with RMA in order that is accepted for a credit or merchandise exchange.
- Original packaging must be relatively in good condition for a full credit, otherwise some fees may apply if new boxes must be purchased and products have to be repackaged.

Claims

Goods in transit travel at the risk of the purchaser. Damage and/or shortage must be noted upon receipt and be countersigned by the delivering carrier's agent. We will be pleased to furnish any information or assistance needed to establish a customer's claim against the carrier. Within 3 days after tender of, delivery to or receipt of any shipment and before any part of the material has been changed from its original condition, Buyer shall inform Seller in writing if the material is found defective or short in any respect. Seller is not liable for loss or damage in transit.

Responsibility

We assume no liability for damage to person or property caused by merchandise bought from us. All specifications and engineering information have been reproduced for our customer's convenience only. Pride Industrial shall not be liable for any special indirect, incidental or consequential damages, including (but not limited to) loss of profits or revenue; loss of use of the goods or related goods, damage or injury to the person or property of Buyer or others. The remedies of Buyer set forth herein are exclusive and Seller's liability on any claim for loss or damage arising out of the sale of goods or arising out of anything done in connection with such a sale, whether in contract or tort or under warranty or otherwise, shall not exceed the price of the product or part on which such liability is based.

Pride Industrial LLC 909-334-4388



AMERICANS WITH DISABILITIES ACT

ADA – Friendly

Many of the decorative pulls offered by Pride are designed with accessibility and ergonomics in mind. Collections that carry the ADA-Friendly designation feature the clearance necessary, based on the Dreyfus Human Factor Scale, to accommodate the hand of an average man. Our ADA-Friendly pulls are shaped for ease of grip and don't require tight grasping, pinching or twisting, as prescribed in Section 309.4 of the ADA Accessibility Guidelines (ADAAG)



PRIDE[®]
DÉCOR

WELCOME TO THE PRIDE

LOCATIONS

15221 FAIRFIELD RANCH ROAD
UNIT 120
CHINO HILLS, CA 91709

4653 LESTON STREET
SUITE 701
DALLAS, TX 75247

909-334-4388

WWW.PRIDEDECOR.COM

ESTABLISHED IN 2005