



PRIDE INDUSTRIAL

PRODUCT
CATALOGUE 2021

DECORATIVE HARDWARE
FUNCTIONAL HARDWARE
& MORE

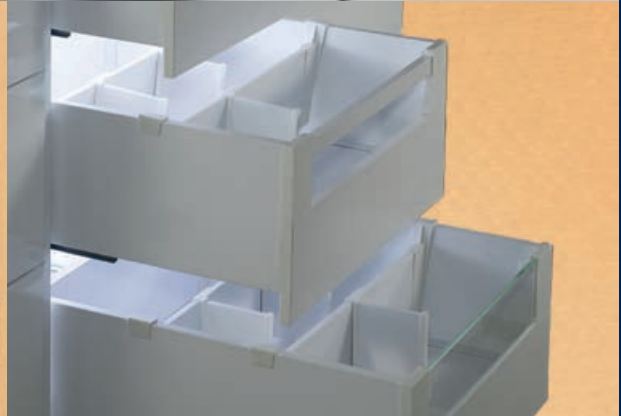
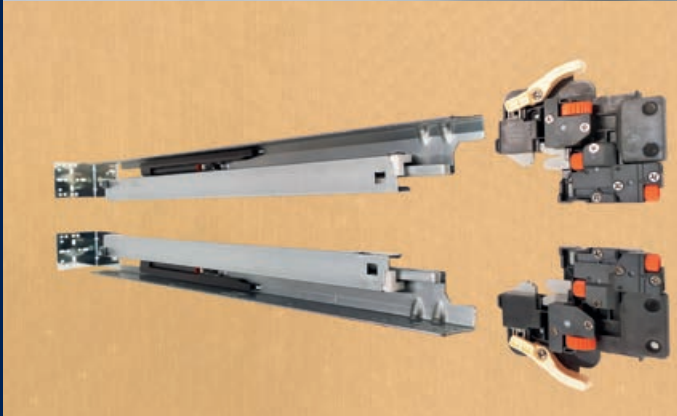
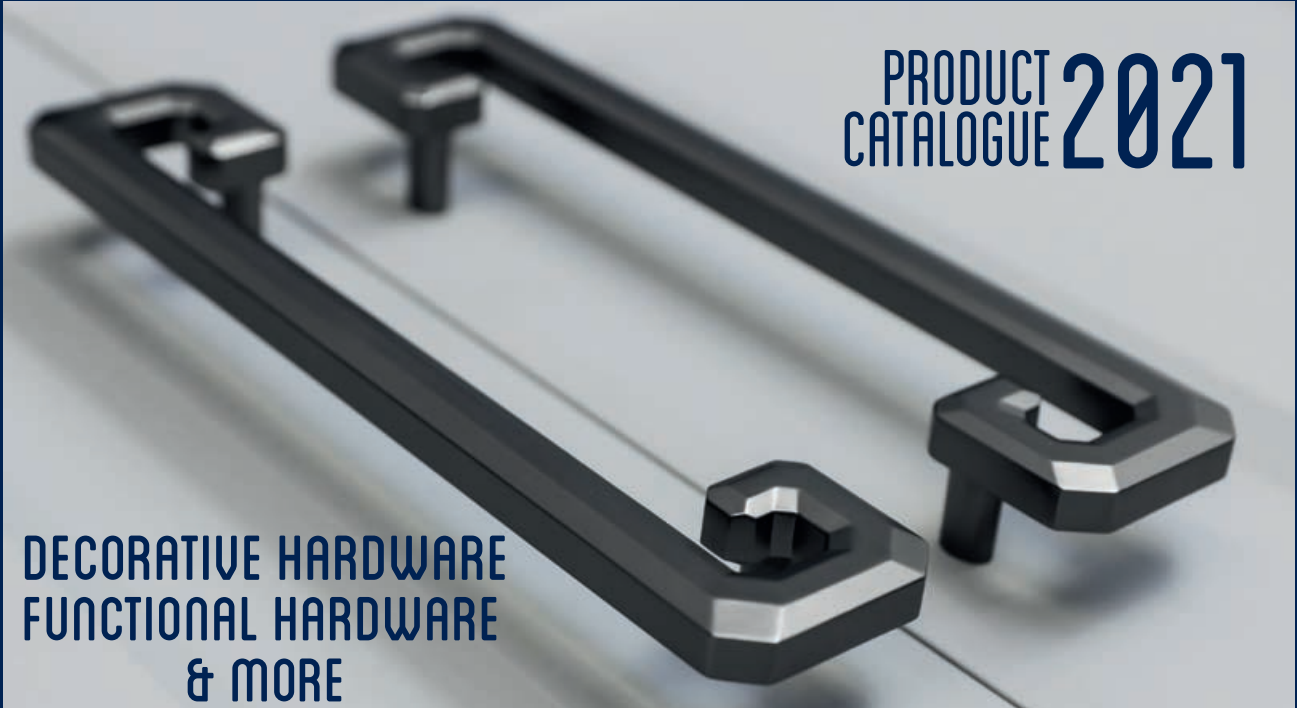


TABLE OF CONTENTS



1-70

Knobs & Pulls

71-73

Closet Rods & Fittings

74-96

Decorative Wood

97-112

Slides

113

Institutional Hinges

114-130

European Hinges & Plates

131

Lazy Susans

132

L-brackets & Mending Plates

133-136

Shelf Support, Rta & Catches

137-139

Shutter Hardware

140-141

Leg Hardware

142-143

Grommets

144-147

Levelers, Bump-on, etc

Magnificent Collections
pages 1-2

New Patented Designs

Charleston Collection page 39



Florence Collection page 8-9



Monaco Collection page 10-12



Magnificent Collections
pages 1-2

New Patented Designs

Madison Collection page 13-15



Milan Collection page 16-17



Manhattan Collection page 18-19



Colorado Collection page 20-21



Washington Collection page 24



St. Louis Collection page 22-23



Bar Pull Collection page 29-33



Miami Collection page 25



Square Pull Collection page 26



Vail Collection page 27



Charlotte Collection page 28



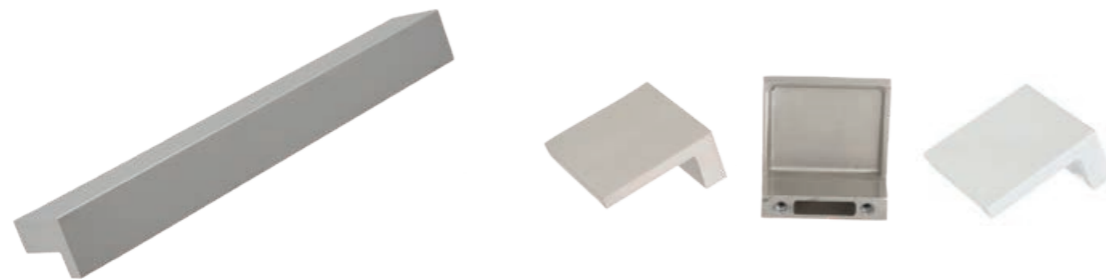
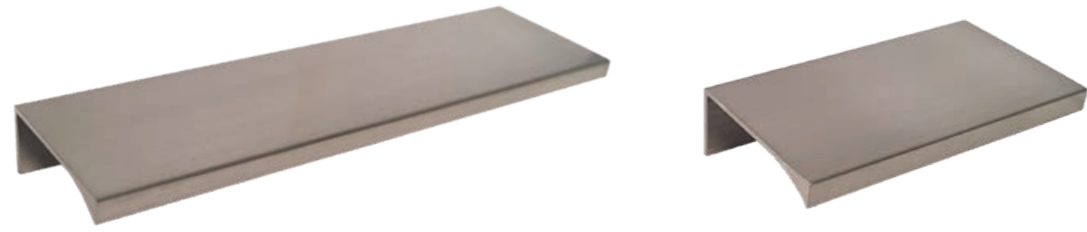
Cup Pulls Collection page 39-41



Large Selection of Modern Handles page 35-38



Large Selection of Tab Pulls page 42-44



K-93002

Florence Knob 39.5mm

CASE QTY	100	WEIGHT/CASE	27 lbs
BOX QTY	10	PROJECTION	33mm
LENGTH	39.5mm	WIDTH	39.5mm

Available Colors

- Oil Rubbed Bronze
- Matte Black
- Dark Pewter
- Polished Chrome
- Rose Gold
- Satin Nickel

Item Number

- K-93002.10B
- K-93002.BK
- K-93002.DP
- K-93002.PC
- K-93002.RG
- K-93002.SN

P-95096

Florence Pull 96mm CC

CASE QTY	100	WEIGHT/CASE	46 lbs
BOX QTY	10	PROJECTION	46mm
LENGTH	135mm	WIDTH	11mm

Available Colors

- Oil Rubbed Bronze
- Matte Black
- Dark Pewter
- Polished Chrome
- Rose Gold
- Satin Nickel

Item Number

- P-95096.10B
- P-95096.BK
- P-95096.DP
- P-95096.PC
- P-95096.RG
- P-95096.SN



P-95128
Florence Pull 128mm CC
CASE QTY 100 **WEIGHT/CASE** 52 lbs
BOX QTY 25 **PROJECTION** 46mm
LENGTH 167mm **WIDTH** 11mm

Available Colors	Item Number
Oil Rubbed Bronze	P-95128.10B
Matte Black	P-95128.BK
Dark Pewter	P-95128.DP
Polished Chrome	P-95128.PC
Rose Gold	P-95128.RG
Satin Nickel	P-95128.SN

P-95160
Florence Pull 160mm CC
CASE QTY 50 **WEIGHT/CASE** 31 lbs
BOX QTY 10 **PROJECTION** 46mm
LENGTH 200mm **WIDTH** 11mm

Available Colors	Item Number
Oil Rubbed Bronze	P-95160.10B
Matte Black	P-95160.BK
Dark Pewter	P-95160.DP
Polished Chrome	P-95160.PC
Rose Gold	P-95160.RG
Satin Nickel	P-95160.SN



P-96096
Monaco Pull 96mm CC
CASE QTY 100 **WEIGHT/CASE** 56 lbs
BOX QTY 25 **PROJECTION** 30mm
LENGTH 157mm **WIDTH** 11mm

Available Colors	Item Number
Oil Rubbed Bronze	P-96096.10B
Matte Black	P-96096.BK
Dark Pewter	P-96096.DP
Polished Chrome	P-96096.PC
Rose Gold	P-96096.RG
Satin Nickel	P-96096.SN

P-96128
Monaco Pull 128mm CC
CASE QTY 50 **WEIGHT/CASE** 33 lbs
BOX QTY 10 **PROJECTION** 30mm
LENGTH 189mm **WIDTH** 11mm

Available Colors	Item Number
Oil Rubbed Bronze	P-96128.10B
Matte Black	P-96128.BK
Dark Pewter	P-96128.DP
Polished Chrome	P-96128.PC
Rose Gold	P-96128.RG
Satin Nickel	P-96128.SN



P-96160

Monaco Pull 160mm CC

CASE QTY	50	WEIGHT/CASE	36 lbs
BOX QTY	10	PROJECTION	30mm
LENGTH	221mm	WIDTH	11mm

Available Colors

Oil Rubbed Bronze
Matte Black
Dark Pewter
Polished Chrome
Rose Gold
Satin Nickel

Item Number

P-96160.10B
P-96160.BK
P-96160.DP
P-96160.PC
P-96160.RG
P-96160.SN



K-93122

Monaco Knob 45mm

CASE QTY	100	WEIGHT/CASE	35 lbs
BOX QTY	10	PROJECTION	33mm
LENGTH	45mm	WIDTH	45mm

Available Colors

Oil Rubbed Bronze
Matte Black
Dark Pewter
Polished Chrome
Rose Gold
Satin Nickel

Item Number

K-93122.10B
K-93122.BK
K-93122.DP
K-93122.PC
K-93122.RG
K-93122.SN



K-92230
28mm Square Knob
CASE QTY 250 **WEIGHT/CASE** 23 lbs
BOX QTY 25 **PROJECTION** 26mm
LENGTH 28mm **WIDTH** 28mm

Available Colors	Item Number
Oil Rubbed Bronze	K-92230.10B
Matte Black	K-92230.BK
Dark Pewter	K-92230.DP
Polished Chrome	K-92230.PC
Rose Gold	K-92230.RG
Satin Nickel	K-92230.SN

K-92430
36x28 Rectangular Knob
CASE QTY 250 **WEIGHT/CASE** 25 lbs
BOX QTY 25 **PROJECTION** 26mm
LENGTH 36mm **WIDTH** 25mm

Available Colors	Item Number
Oil Rubbed Bronze	K-92430.10B
Matte Black	K-92430.BK
Dark Pewter	K-92430.DP
Polished Chrome	K-92430.PC
Rose Gold	K-92430.RG
Satin Nickel	K-92430.SN



P-93096 ✓
Madison Pull 96mm CC
CASE QTY 250 **WEIGHT/CASE** 45 lbs
BOX QTY 25 **PROJECTION** 39mm
LENGTH 122mm **WIDTH** 13mm

Available Colors	Item Number
Oil Rubbed Bronze	P-93096.10B
Matte Black	P-93096.BK
Dark Pewter	P-93096.DP
Polished Chrome	P-93096.PC
Rose Gold	P-93096.RG
Satin Nickel	P-93096.SN

P-93128 ✓
Madison Pull 128mm CC
CASE QTY 250 **WEIGHT/CASE** 52 lbs
BOX QTY 25 **PROJECTION** 39mm
LENGTH 154mm **WIDTH** 13mm

Available Colors	Item Number
Oil Rubbed Bronze	P-93128.10B
Matte Black	P-93128.BK
Dark Pewter	P-93128.DP
Polished Chrome	P-93128.PC
Rose Gold	P-93128.RG
Satin Nickel	P-93128.SN



P-93160 ✓
 Madison Pull 160mm CC
CASE QTY 200 **WEIGHT/CASE** 48 lbs
BOX QTY 20 **PROJECTION** 39mm
LENGTH 186mm **WIDTH** 13mm

Available Colors	Item Number
Oil Rubbed Bronze	P-93160.10B
Matte Black	P-93160.BK
Dark Pewter	P-93160.DP
Polished Chrome	P-93160.PC
Rose Gold	P-93160.RG
Satin Nickel	P-93160.SN



P-94096 ✓
 Milan Pull 96mm CC
CASE QTY 200 **WEIGHT/CASE** 37 lbs
BOX QTY 20 **PROJECTION** 39mm
LENGTH 121mm **WIDTH** 10mm

Available Colors	Item Number
Oil Rubbed Bronze	P-94096.10B
Matte Black	P-94096.BK
Dark Pewter	P-94096.DP
Polished Chrome	P-94096.PC
Rose Gold	P-94096.RG
Satin Nickel	P-94096.SN

P-94128 ✓
 Milan Pull 128mm CC
CASE QTY 200 **WEIGHT/CASE** 43 lbs
BOX QTY 20 **PROJECTION** 39mm
LENGTH 153mm **WIDTH** 10mm

Available Colors	Item Number
Oil Rubbed Bronze	P-94128.10B
Matte Black	P-94128.BK
Dark Pewter	P-94128.DP
Polished Chrome	P-94128.PC
Rose Gold	P-94128.RG
Satin Nickel	P-94128.SN



K-92230 & K-92430
Recommended knobs for this Collection.
See page 13 to see complete description
and finish availability.

P-94160 ✓
Milan Pull 160mm CC

CASE QTY	200	WEIGHT/CASE	51 lbs
BOX QTY	20	PROJECTION	39mm
LENGTH	185mm	WIDTH	10mm

Available Colors	Item Number
Oil Rubbed Bronze	P-94160.10B
Matte Black	P-94160.BK
Dark Pewter	P-94160.DP
Polished Chrome	P-94160.PC
Rose Gold	P-94160.RG
Satin Nickel	P-94160.SN

P-94210 ✓
Milan Pull 210mm CC

CASE QTY	100	WEIGHT/CASE	32 lbs
BOX QTY	25	PROJECTION	39mm
LENGTH	234mm	WIDTH	10mm

Available Colors	Item Number
Oil Rubbed Bronze	P-94210.10B
Matte Black	P-94210.BK
Dark Pewter	P-94210.DP
Polished Chrome	P-94210.PC
Rose Gold	P-94210.RG
Satin Nickel	P-94210.SN



P-92926
Manhattan Pull 96mm CC

CASE QTY	150	WEIGHT/CASE	34 lbs
BOX QTY	15	PROJECTION	28mm
LENGTH	123mm	WIDTH	16mm

Available Colors	Item Number
Oil Rubbed Bronze	P-92926.10B
Matte Black	P-92926.BK
Dark Pewter	P-92926.DP
Polished Chrome	P-92926.PC
Rose Gold	P-92926.RG
Satin Nickel	P-92926.SN

P-92927 Manhattan Pull 128mm CC

CASE QTY	100	WEIGHT/CASE	27 lbs
BOX QTY	10	PROJECTION	28mm
LENGTH	155mm	WIDTH	16mm

Available Colors	Item Number
Oil Rubbed Bronze	P-92927.10B
Matte Black	P-92927.BK
Dark Pewter	P-92927.DP
Polished Chrome	P-92927.PC
Rose Gold	P-92927.RG
Satin Nickel	P-92927.SN

PRIDE DÉCOR *Manhattan Collection* Patent Pending



P-92928
Manhattan Pull 160mm CC
CASE QTY 100 **WEIGHT/CASE** 33 lbs
BOX QTY 10 **PROJECTION** 28mm
LENGTH 187mm **WIDTH** 16mm

Available Colors	Item Number
Oil Rubbed Bronze	P-92928.10B
Matte Black	P-92928.BK
Dark Pewter	P-92928.DP
Polished Chrome	P-92928.PC
Rose Gold	P-92928.RG
Satin Nickel	P-92928.SN

K-1218
32mm Round Flat Top
CASE QTY 250 **WEIGHT/CASE** 44 lbs
BOX QTY 25 **PROJECTION** 30mm
LENGTH 32mm **WIDTH** 32mm

Available Colors	Item Number
Oil Rubbed Bronze	K-1218.10B
Matte Black	K-1218.BK
Dark Pewter	K-1218.DP
Polished Chrome	K-1218.PC
Rose Gold	K-1218.RG
Satin Nickel	K-1218.SN

PRIDE DÉCOR *Colorado Collection* Patent Pending



P-92836
Colorado Pull 96mm CC
CASE QTY 150 **WEIGHT/CASE** 40 lbs
BOX QTY 15 **PROJECTION** 30mm
LENGTH 118mm **WIDTH** 16mm

Available Colors	Item Number
Oil Rubbed Bronze	P-92836.10B
Matte Black	P-92836.BK
Dark Pewter	P-92836.DP
Polished Chrome	P-92836.PC
Rose Gold	P-92836.RG
Satin Nickel	P-92836.SN

P-92837
Colorado Pull 128mm CC
CASE QTY 100 **WEIGHT/CASE** 32 lbs
BOX QTY 10 **PROJECTION** 30mm
LENGTH 150mm **WIDTH** 16mm

Available Colors	Item Number
Oil Rubbed Bronze	P-92837.10B
Matte Black	P-92837.BK
Dark Pewter	P-92837.DP
Polished Chrome	P-92837.PC
Rose Gold	P-92837.RG
Satin Nickel	P-92837.SN

P-92838
Colorado Pull 160mm CC
CASE QTY 100 **WEIGHT/CASE** 36 lbs
BOX QTY 10 **PROJECTION** 30mm
LENGTH 182mm **WIDTH** 16mm

Available Colors	Item Number
Oil Rubbed Bronze	P-92838.10B
Matte Black	P-92838.BK
Dark Pewter	P-92838.DP
Polished Chrome	P-92838.PC
Rose Gold	P-92838.RG
Satin Nickel	P-92838.SN



K-92925

32mm Dia Colorado Round Knob

CASE QTY	250	WEIGHT/CASE	39 lbs
BOX QTY	25	PROJECTION	29.5mm
LENGTH	32mm	WIDTH	32mm

Available Colors

Oil Rubbed Bronze
Matte Black
Dark Pewter
Polished Chrome
Rose Gold
Satin Nickel

Item Number

K-92925.10B
K-92925.BK
K-92925.DP
K-92925.PC
K-92925.RG
K-92925.SN

K-94723

29.8mm Colorado Square Knob

CASE QTY	200	WEIGHT/CASE	39 lbs
BOX QTY	20	PROJECTION	30mm
LENGTH	29.8mm	WIDTH	29.8mm

Available Colors

Oil Rubbed Bronze
Matte Black
Dark Pewter
Polished Chrome
Rose Gold
Satin Nickel

Item Number

K-94723.10B
K-94723.BK
K-94723.DP
K-94723.PC
K-94723.RG
K-94723.SN

K-94727

37mm Colorado Square Oversized Knob

CASE QTY	100	WEIGHT/CASE	27 lbs
BOX QTY	10	PROJECTION	30mm
LENGTH	37mm	WIDTH	37mm

Available Colors

Oil Rubbed Bronze
Matte Black
Dark Pewter
Polished Chrome
Rose Gold
Satin Nickel

Item Number

K-94727.10B
K-94727.BK
K-94727.DP
K-94727.PC
K-94727.RG
K-94727.SN



P-91496

St. Louis Arch Pull 96mm CC

CASE QTY	250	WEIGHT/CASE	51 lbs
BOX QTY	25	PROJECTION	26mm
LENGTH	133mm	WIDTH	23mm

Available Colors

Oil Rubbed Bronze
Satin Nickel

Item Number

P-91496.10B
P-91496.SN

P-91497

St. Louis Arch Pull 128mm CC

CASE QTY	100	WEIGHT/CASE	25 lbs
BOX QTY	25	PROJECTION	26mm
LENGTH	165mm	WIDTH	25mm

Available Colors

Oil Rubbed Bronze
Satin Nickel

Item Number

P-91497.10B
P-91497.SN

P-91498

St. Louis Arch Pull 160mm CC 195mm OL

CASE QTY	100	WEIGHT/CASE	29 lbs
BOX QTY	25	PROJECTION	26mm
LENGTH	195mm	WIDTH	26mm

Available Colors

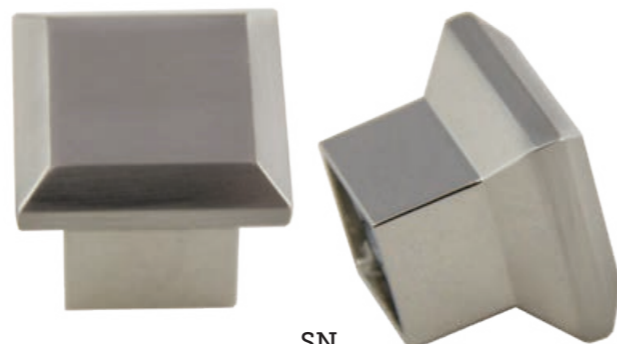
Oil Rubbed Bronze
Satin Nickel

Item Number

P-91498.10B
P-91498.SN



RG
Rose Gold



SN
Satin Nickel



10B
Oil Rubbed Bronze

K-91090

Knob 33.6x25mm

CASE QTY	250	WEIGHT/CASE	54 lbs
BOX QTY	25	PROJECTION	29mm
LENGTH	33.6mm	WIDTH	33.6mm

Available Colors	Item Number
Oil Rubbed Bronze	K-91090.10B
Rose Gold	K-91090.RG
Satin Nickel	K-91090.SN

K-81361

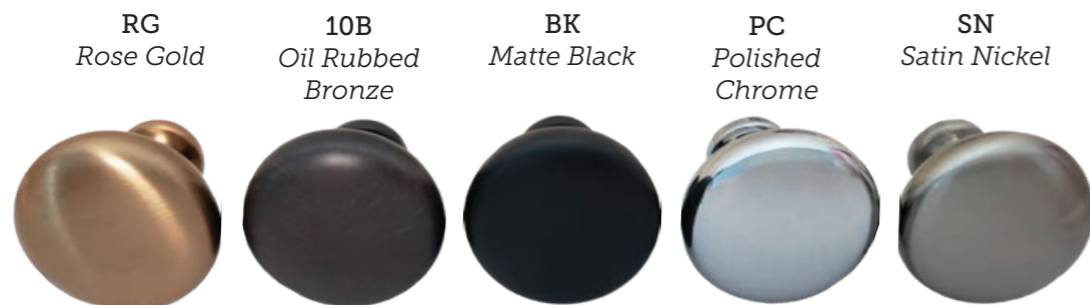
Mushroom Knob 31mm

CASE QTY	250	WEIGHT/CASE	22 lbs
BOX QTY	25	PROJECTION	28mm
LENGTH	31mm	WIDTH	31mm

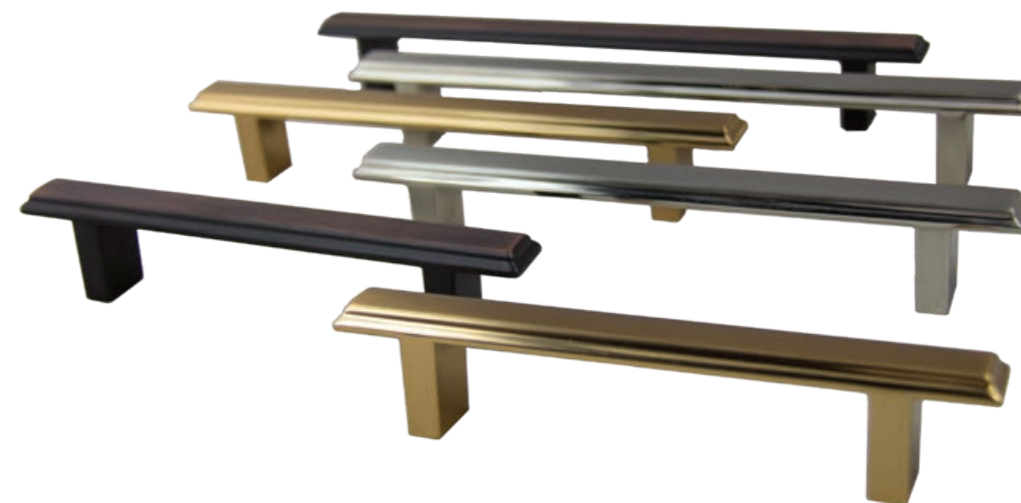
Available Colors	Item Number
Oil Rubbed Bronze	K-81361.10B
Matte Black	K-81361.BK
Polished Chrome	K-81361.PC
Rose Gold	K-81361.RG
Satin Nickel	K-81361.SN



SN - Satin Nickel



RG Rose Gold **10B** Oil Rubbed Bronze **BK** Matte Black **PC** Polished Chrome **SN** Satin Nickel



K-92230 & K-92430

Recommended knobs for this Collection. See page 13 to see complete description and finish availability.



P-91296

Washington Pull 96mm CC 136mm OL

CASE QTY	250	WEIGHT/CASE	59 lbs
BOX QTY	25	PROJECTION	28mm
LENGTH	136mm	WIDTH	16mm

Available Colors	Item Number
Oil Rubbed Bronze	P-91296.10B
Rose Gold	P-91296.RG
Satin Nickel	P-91296.SN

P-91297

Washington Pull 128mm CC 168mm OL

CASE QTY	100	WEIGHT/CASE	28 lbs
BOX QTY	25	PROJECTION	28mm
LENGTH	168mm	WIDTH	16mm

Available Colors	Item Number
Oil Rubbed Bronze	P-91297.10B
Rose Gold	P-91297.RG
Satin Nickel	P-91297.SN

P-91298

Washington Pull 160mm CC 200mm OL

CASE QTY	100	WEIGHT/CASE	33 lbs
BOX QTY	25	PROJECTION	28mm
LENGTH	200mm	WIDTH	16mm

Available Colors	Item Number
Oil Rubbed Bronze	P-91298.10B
Rose Gold	P-91298.RG
Satin Nickel	P-91298.SN

Miami Collection

P-80572

Miami Pull 96mm CC

CASE QTY	250	WEIGHT/CASE	49 lbs
BOX QTY	25	PROJECTION	27mm
LENGTH	120mm	WIDTH	8.2mm

Available Colors	Item Number
Oil Rubbed Bronze	P-80572.10B
Matte Black	P-80572.BK
Dark Pewter	P-80572.DP
Polished Chrome	P-80572.PC
Rose Gold	P-80572.RG
Satin Nickel	P-80572.SN



P-81572

Miami Pull 128mm CC

CASE QTY	250	WEIGHT/CASE	51 lbs
BOX QTY	25	PROJECTION	27mm
LENGTH	149mm	WIDTH	8.5mm

Available Colors	Item Number
Matte Black	P-81572.BK
Dark Pewter	P-81572.DP
Polished Chrome	P-81572.PC
Rose Gold	P-81572.RG
Satin Nickel	P-81572.SN

P-83572

Miami Pull 160mm CC

CASE QTY	100	WEIGHT/CASE	26 lbs
BOX QTY	25	PROJECTION	27mm
LENGTH	190mm	WIDTH	9mm

Available Colors	Item Number
Matte Black	P-83572.BK
Dark Pewter	P-83572.DP
Polished Chrome	P-83572.PC
Rose Gold	P-83572.RG
Satin Nickel	P-83572.SN

K-83125

1" Square Knob

CASE QTY	250	WEIGHT/CASE	31 lbs
BOX QTY	25	PROJECTION	23mm
LENGTH	1"	WIDTH	1"

Available Colors	Item Number
Oil Rubbed Bronze	K-83125.10B
Matte Black	K-83125.BK
Dark Pewter	K-83125.DP
Polished Chrome	K-83125.PC
Rose Gold	K-83125.RG
Satin Nickel	K-83125.SN



DP - Dark Pewter



Square Pull Collection

ADA FRIENDLY ✓

P-87226 ✓

Square Pull 96mm CC

CASE QTY	250	WEIGHT/CASE	54 lbs
BOX QTY	25	PROJECTION	35mm
LENGTH	106mm	WIDTH	9.8mm

Available Colors	Item Number
Oil Rubbed Bronze	P-87226.10B
Matte Black	P-87226.BK
Dark Pewter	P-87226.DP
Polished Chrome	P-87226.PC
Rose Gold	P-87226.RG
Satin Nickel	P-87226.SN

P-87227 ✓

Square Pull 128mm CC

CASE QTY	200	WEIGHT/CASE	51 lbs
BOX QTY	20	PROJECTION	35mm
LENGTH	137mm	WIDTH	9.8mm

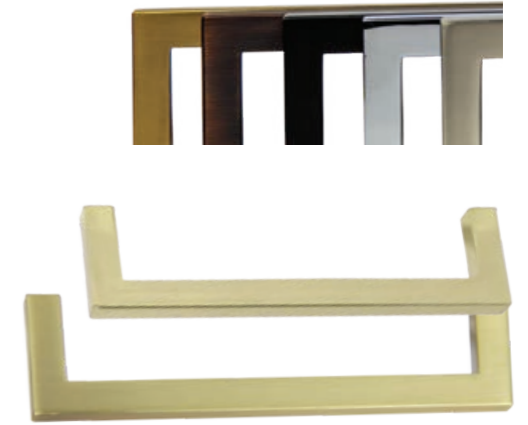
Available Colors	Item Number
Oil Rubbed Bronze	P-87227.10B
Matte Black	P-87227.BK
Dark Pewter	P-87227.DP
Polished Chrome	P-87227.PC
Rose Gold	P-87227.RG
Polished Brass	P-87227.PB
Satin Brass	P-87227.SB
Satin Nickel	P-87227.SN

P-87228 ✓

Square Pull 160mm CC

CASE QTY	100	WEIGHT/CASE	31 lbs
BOX QTY	25	PROJECTION	35mm
LENGTH	169mm	WIDTH	9.8mm

Available Colors	Item Number
Oil Rubbed Bronze	P-87228.10B
Matte Black	P-87228.BK
Dark Pewter	P-87228.DP
Polished Chrome	P-87228.PC
Rose Gold	P-87228.RG
Satin Nickel	P-87228.SN



P-87229 ✓

Square Pull 192mm CC

CASE QTY	100	WEIGHT/CASE	37 lbs
BOX QTY	25	PROJECTION	35mm
LENGTH	201mm	WIDTH	9.8mm

Available Colors	Item Number
Oil Rubbed Bronze	P-87229.10B
Matte Black	P-87229.BK
Dark Pewter	P-87229.DP
Polished Chrome	P-87229.PC
Rose Gold	P-87229.RG
Satin Nickel	P-87229.SN

P-87300 ✓

Square Pull 224mm CC

CASE QTY	50	WEIGHT/CASE	20 lbs
BOX QTY	10	PROJECTION	35mm
LENGTH	233mm	WIDTH	9.8mm

Available Colors	Item Number
Oil Rubbed Bronze	P-87300.10B
Matte Black	P-87300.BK
Satin Nickel	P-87300.SN

P-87140.SN ✓

Bar Pull 280mm CC Satin Nickel

CASE QTY	100	WEIGHT/CASE	42 lbs
BOX QTY	25	PROJECTION	28mm
LENGTH	289mm	WIDTH	9.8mm

P-87328.SN ✓

Square Pull 320mm CC Satin Nickel

CASE QTY	100	WEIGHT/CASE	43 lbs
BOX QTY	10	PROJECTION	28mm
LENGTH	329mm	WIDTH	9.8mm

Vail Collection



ADA FRIENDLY ✓

P-86373 ✓

Vail Pull 96mm CC

CASE QTY	250	WEIGHT/CASE	46 lbs
BOX QTY	25	PROJECTION	30mm
LENGTH	115mm	WIDTH	12mm

Available Colors	Item Number
Oil Rubbed Bronze	P-86373.10B
Matte Black	P-86373.BK
Dark Pewter	P-86373.DP
Polished Chrome	P-86373.PC
Rose Gold	P-86373.RG
Satin Nickel	P-86373.SN



P-86375 ✓

Vail Pull 160mm CC

CASE QTY	100	WEIGHT/CASE	28 lbs
BOX QTY	25	PROJECTION	30mm
LENGTH	180mm	WIDTH	12mm

Available Colors	Item Number
Oil Rubbed Bronze	P-86375.10B
Matte Black	P-86375.BK
Dark Pewter	P-86375.DP
Polished Chrome	P-86375.PC
Rose Gold	P-86375.RG
Satin Nickel	P-86375.SN

P-86374 ✓

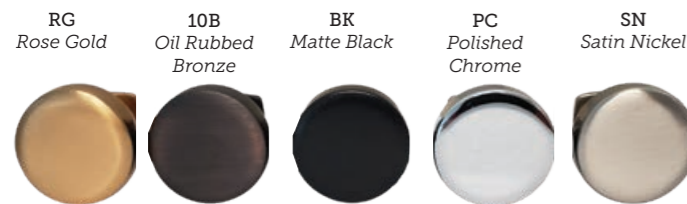
Vail Pull 128mm CC

CASE QTY	250	WEIGHT/CASE	59 lbs
BOX QTY	25	PROJECTION	30mm
LENGTH	149mm	WIDTH	12mm

Available Colors	Item Number
Oil Rubbed Bronze	P-86374.10B
Matte Black	P-86374.BK
Dark Pewter	P-86374.DP
Polished Chrome	P-86374.PC
Rose Gold	P-86374.RG
Satin Nickel	P-86374.SN



DP - Dark Pewter



K-1218

32mm Round Flat Top

CASE QTY	250	WEIGHT/CASE	44 lbs
BOX QTY	25	PROJECTION	30mm
LENGTH	32mm	WIDTH	32mm

Available Colors	Item Number
Oil Rubbed Bronze	K-1218.10B
Matte Black	K-1218.BK
Dark Pewter	K-1218.DP
Polished Chrome	K-1218.PC
Rose Gold	K-1218.RG
Satin Nickel	K-1218.SN

Charlotte Collection



ADA FRIENDLY ✓

P-82092 ✓

Charlotte Deco Pull 128mm CC

CASE QTY	250	WEIGHT/CASE	46 lbs
BOX QTY	25	PROJECTION	28mm
LENGTH	142mm	WIDTH	16mm

Available Colors	Item Number
Oil Rubbed Bronze	P-82092.10B
Matte Black	P-82092.BK
Polished Chrome	P-82092.PC
Rose Gold	P-82092.RG
Satin Nickel	P-82092.SN

P-81092 ✓

Charlotte Deco Pull 96mm CC

CASE QTY	250	WEIGHT/CASE	40 lbs
BOX QTY	25	PROJECTION	28mm
LENGTH	118mm	WIDTH	16mm

Available Colors	Item Number
Oil Rubbed Bronze	P-81092.10B
Antique Satin Brass	P-81092.ABSB
Satin Pewter	P-81092.APH
Matte Black	P-81092.BK
Weathered Black	P-81092.DACM
Polished Chrome	P-81092.PC
Rose Gold	P-81092.RG
Satin Nickel	P-81092.SN

P-83092 ✓

Charlotte Deco Pull 160mm CC

CASE QTY	200	WEIGHT/CASE	55 lbs
BOX QTY	20	PROJECTION	28mm
LENGTH	172mm	WIDTH	16mm

Available Colors	Item Number
Oil Rubbed Bronze	P-83092.10B
Matte Black	P-83092.BK
Polished Chrome	P-83092.PC
Rose Gold	P-83092.RG
Satin Nickel	P-83092.SN



K-81091

32mm Square Knob

CASE QTY	250	WEIGHT/CASE	38 lbs
BOX QTY	25	PROJECTION	26mm
LENGTH	32mm	WIDTH	32mm

Available Colors	Item Number
Oil Rubbed Bronze	K-81091.10B
Antique Satin Brass	K-81091.ABSB
Satin Pewter	K-81091.APH
Matte Black	K-81091.BK
Weathered Black	K-81091.DACM
Polished Chrome	K-81091.PC
Rose Gold	K-81091.RG
Satin Nickel	K-81091.SN



Bar Pull Collection



K-102

Bar Pull Knob 2" OL x 12mm Dia.

CASE QTY	250	WEIGHT/CASE	36 lbs
BOX QTY	25	PROJECTION	35mm
LENGTH	2"	WIDTH	12mm

Available Colors	Item Number
Oil Rubbed Bronze	K-102.10B
Matte Black	K-102.BK
Polished Chrome	K-102.PC
Rose Gold	K-102.RG
Satin Nickel	K-102.SN

P-104

Bar Pull 115mm OL x 64mm CC x 12mm Dia.

CASE QTY	100	WEIGHT/CASE	28 lbs
BOX QTY	25	PROJECTION	35mm
LENGTH	4"	WIDTH	12mm

Available Colors	Item Number
Matte Black	P-104.BK
Polished Chrome	P-104.PC
Rose Gold	P-104.RG
Satin Nickel	P-104.SN

P-106

Bar Pull 6" OL x 3" CC x 12mm Dia.

CASE QTY	100	WEIGHT/CASE	39 lbs
BOX QTY	10	PROJECTION	35mm
LENGTH	6"	WIDTH	12mm

Available Colors	Item Number
Oil Rubbed Bronze	P-106.10B *25 Inner Box
Matte Black	P-106.BK
Dark Pewter	P-106.DP *25 Inner Box
Polished Chrome	P-106.PC
Rose Gold	P-106.RG *25 Inner Box
Satin Nickel	P-106.SN

P-1096

Bar Pull 6" OL x 96mm CC x 12mm Dia.

CASE QTY	100	WEIGHT/CASE	39 lbs
BOX QTY	10	PROJECTION	35mm
LENGTH	6"	WIDTH	12mm

Available Colors	Item Number
Oil Rubbed Bronze	P-1096.10B
Matte Black	P-1096.BK
Dark Pewter	P-1096.DP
Polished Chrome	P-1096.PC *25 Inner Box
Rose Gold	P-1096.RG
Polished Brass	P-1096.PB *25 Inner Box
Satin Brass	P-1096.SB
Satin Nickel	P-1096.SN *25 Inner Box
Stainless Steel	P-1096.SS

P-107.SN SATIN NICKEL

Bar Pull 7" OL x 128mm CC x 12mm Dia.

CASE QTY	100	WEIGHT/CASE	40 lbs
BOX QTY	10	PROJECTION	35mm
LENGTH	7"	WIDTH	12mm

P-108

Bar Pull 8" OL x 5" CC x 12mm Dia.

CASE QTY	50	WEIGHT/CASE	51 lbs
BOX QTY	10	PROJECTION	35mm
LENGTH	8"	WIDTH	12mm

Available Colors	Item Number
Oil Rubbed Bronze	P-108.10B
Matte Black	P-108.BK *100 Case
Dark Pewter	P-108.DP
Polished Chrome	P-108.PC *100 Case
Rose Gold	P-108.RG
Satin Nickel	P-108.SN *100 Case



Bar Pull Collection



P-109.SN SATIN NICKEL

Bar Pull 9" OL x 160mm CC x 12mm Dia.

CASE QTY	100	WEIGHT/CASE	40 lbs
BOX QTY	10	PROJECTION	35mm
LENGTH	9"	WIDTH	12mm

P-110

Bar Pull 10" OL x 7" CC x 12mm Dia.

CASE QTY	100	WEIGHT/CASE	61 lbs
BOX QTY	10	PROJECTION	35mm
LENGTH	10"	WIDTH	12mm

Available Colors	Item Number
Oil Rubbed Bronze	P-110.10B *50 Case
Matte Black	P-110.BK
Dark Pewter	P-110.DP *50 Case
Polished Chrome	P-110.PC
Rose Gold	P-110.RG *50 Case
Satin Nickel	P-110.SN

P-112

Bar Pull 12" OL x 9" CC x 12mm Dia.

CASE QTY	50	WEIGHT/CASE	36 lbs
BOX QTY	10	PROJECTION	35mm
LENGTH	12"	WIDTH	12mm

Available Colors	Item Number
Oil Rubbed Bronze	P-112.10B
Matte Black	P-112.BK
Polished Chrome	P-112.PC
Rose Gold	P-112.RG
Satin Nickel	P-112.SN

P-114

Bar Pull 14" OL x 11" CC x 12mm Dia.

CASE QTY	50	WEIGHT/CASE	46 lbs
BOX QTY	10	PROJECTION	35mm
LENGTH	14"	WIDTH	12mm

Available Colors	Item Number
Matte Black	P-114.BK
Rose Gold	P-114.RG
Satin Nickel	P-114.SN

P-116

Bar Pull 16" OL x 13" CC x 12mm Dia.

CASE QTY	50	WEIGHT/CASE	61 lbs
BOX QTY	10	PROJECTION	35mm
LENGTH	16"	WIDTH	12mm

Available Colors	Item Number
Oil Rubbed Bronze	P-116.10B
Rose Gold	P-116.RG
Satin Nickel	P-116.SN

P-118.SN SATIN NICKEL

Bar Pull 18" OL x 15" CC x 12mm Dia.

CASE QTY	50	WEIGHT/CASE	66 lbs
BOX QTY	10	PROJECTION	35mm
LENGTH	18"	WIDTH	12mm

P-120

Bar Pull 20" OL x 17" CC x 12mm Dia.

CASE QTY	40	WEIGHT/CASE	57 lbs
BOX QTY	10	PROJECTION	35mm
LENGTH	20"	WIDTH	12mm

Available Colors	Item Number
Oil Rubbed Bronze	P-120.10B
Satin Nickel	P-120.SN



P-122
Bar Pull 22" OL x 19" CC x 12mm Dia.

CASE QTY	40	WEIGHT/CASE	61 lbs
BOX QTY	10	PROJECTION	35mm
LENGTH	22"	WIDTH	12mm

Available Colors **Item Number**
Satin Nickel P-122.SN

P-124
Bar Pull 24" OL x 21" CC x 12mm Dia.

CASE QTY	40	WEIGHT/CASE	67 lbs
BOX QTY	10	PROJECTION	35mm
LENGTH	24"	WIDTH	12mm

Available Colors **Item Number**
Oil Rubbed Bronze P-124.10B
Satin Nickel P-124.SN

P-126.SN SATIN NICKEL
Bar Pull 26" OL x 23" CC x 12mm Dia.

CASE QTY	40	WEIGHT/CASE	73 lbs
BOX QTY	10	PROJECTION	35mm
LENGTH	26"	WIDTH	12mm

P-128
Bar Pull 28" OL x 25" CC x 12mm Dia.

CASE QTY	20	WEIGHT/CASE	39 lbs
BOX QTY	10	PROJECTION	35mm
LENGTH	28"	WIDTH	12mm

Available Colors **Item Number**
Satin Nickel P-128.SN

P-130.SN SATIN NICKEL
Bar Pull 30" OL x 27" CC x 12mm Dia.

CASE QTY	20	WEIGHT/CASE	41 lbs
BOX QTY	10	PROJECTION	35mm
LENGTH	30"	WIDTH	12mm



K-102.SS STAINLESS STEEL
Bar Pull Knob 2-3/8" OL x 12mm Dia.

CASE QTY	250	WEIGHT/CASE	36 lbs
BOX QTY	25	PROJECTION	35mm
LENGTH	2-3/8"	WIDTH	12mm

P-105.SS STAINLESS STEEL
Bar Pull 5-1/2" OL x 3" CC x 12mm Dia.

CASE QTY	100	WEIGHT/CASE	37 lbs
BOX QTY	10	PROJECTION	35mm
LENGTH	5-1/2"	WIDTH	12mm

P-1096.SS STAINLESS STEEL
Bar Pull 6" OL x 96mm CC x 12mm Dia.

CASE QTY	100	WEIGHT/CASE	39 lbs
BOX QTY	10	PROJECTION	35mm
LENGTH	6"	WIDTH	12mm

P-1096H.SS HOLLOW STAINLESS STEEL
Bar Pull 6" OL x 96mm CC x 12mm Dia.

CASE QTY	200	WEIGHT/CASE	21 lbs
BOX QTY	20	PROJECTION	35mm
LENGTH	6"	WIDTH	12mm

P-1068H.SS HOLLOW STAINLESS STEEL
Bar Pull 174mm OL x 128mm CC x 12mm Dia.

CASE QTY	200	WEIGHT/CASE	26 lbs
BOX QTY	20	PROJECTION	35mm
LENGTH	174mm	WIDTH	12mm

P-1068H.SS HOLLOW STAINLESS STEEL
Bar Pull 174mm OL x 128mm CC x 12mm Dia.

CASE QTY	200	WEIGHT/CASE	26 lbs
BOX QTY	20	PROJECTION	35mm
LENGTH	174mm	WIDTH	12mm

P-107.SS STAINLESS STEEL
Bar Pull 7-7/16" OL x 128mm CC x 12mm Dia.

CASE QTY	100	WEIGHT/CASE	46 lbs
BOX QTY	10	PROJECTION	35mm
LENGTH	7-7/16"	WIDTH	12mm

P-108H.SS HOLLOW STAINLESS STEEL
Bar Pull 8" OL x 128mm CC x 12mm Dia.

CASE QTY	200	WEIGHT/CASE	27 lbs
BOX QTY	20	PROJECTION	35mm
LENGTH	8"	WIDTH	12mm

P-109.SS STAINLESS STEEL
Bar Pull 9-7/8" OL x 192mm CC x 12mm Dia.

CASE QTY	100	WEIGHT/CASE	41 lbs
BOX QTY	10	PROJECTION	35mm
LENGTH	9-7/8"	WIDTH	12mm

P-113.SS STAINLESS STEEL
Bar Pull 13-1/4" OL x 256mm CC x 12mm Dia.

CASE QTY	75	WEIGHT/CASE	61 lbs
BOX QTY	25	PROJECTION	35mm
LENGTH	13-1/4"	WIDTH	12mm

P-115.SS STAINLESS STEEL
Bar Pull 15-3/4" OL x 320mm CC x 12mm Dia.

CASE QTY	50	WEIGHT/CASE	51 lbs
BOX QTY	25	PROJECTION	35mm
LENGTH	15-3/4"	WIDTH	12mm

P-119.SS STAINLESS STEEL
Bar Pull 19-1/2" OL x 416mm CC x 12mm Dia.

CASE QTY	50	WEIGHT/CASE	66 lbs
BOX QTY	25	PROJECTION	35mm
LENGTH	19-1/2"	WIDTH	12mm

P-122.SS STAINLESS STEEL
Bar Pull 22" OL x 19" CC x 12mm Dia.

CASE QTY	40	WEIGHT/CASE	61 lbs
BOX QTY	10	PROJECTION	35mm
LENGTH	2"	WIDTH	12mm

P-124.SS STAINLESS STEEL
Bar Pull 24" OL x 21" CC x 12mm Dia.

CASE QTY	25	WEIGHT/CASE	67 lbs
BOX QTY	25	PROJECTION	35mm
LENGTH	24"	WIDTH	12mm

P-128.SS STAINLESS STEEL
Bar Pull 28" OL x 25" CC x 12mm Dia.

CASE QTY	25	WEIGHT/CASE	39 lbs
BOX QTY	25	PROJECTION	35mm
LENGTH	28"	WIDTH	12mm

P-133.SS STAINLESS STEEL
Bar Pull 33-1/4" OL x 768mm CC x 12mm Dia.

CASE QTY	25	WEIGHT/CASE	48 lbs
BOX QTY	25	PROJECTION	35mm
LENGTH	33-1/4"	WIDTH	12mm

PRIDE DÉCOR *Bar Pull Unique Options*

P-81837.DN
 Curved Bar Pull 128mm CC Dull Nickel
CASE QTY 250 **WEIGHT/CASE** 56 lbs
BOX QTY 25 **PROJECTION** 26mm
LENGTH 165mm **WIDTH** 10mm



P-0136
 Bar Pull 136mm OL x 3" CC x 12mm Dia
 H=35mm with 1-3/4" Breakaway Screw
CASE QTY 100 **WEIGHT/CASE** 38 lbs
BOX QTY 10 **PROJECTION** 35mm
LENGTH 136mm **WIDTH** 12mm

Available Colors **Item Number**
 Matte Black P-0136.BK
 Satin Nickel P-0136.SN



P-0146.SN
 Bar Pull 96mm C/C 146mm OL 14mm dia
 With 1-3/4" Breakaway Screw
CASE QTY 100 **WEIGHT/CASE** 46 lbs
BOX QTY 10 **PROJECTION** 35mm
LENGTH 146mm **WIDTH** 14mm



P-0178.SN
 Bar Pull 128mm 178mm OL 14mm Dia
 Satin Nickel with 2pcs 1"
 & 2pcs 1.75" Breakaway screws
CASE QTY 100 **WEIGHT/CASE** 54 lbs
BOX QTY 10 **PROJECTION** 35mm
LENGTH 178mm **WIDTH** 14mm



P-242.SN
 Bar Pull 192mm C/C 242mm OL 14mm Dia
 H=36.5mm Satin Nickel
 With 1-3/4" Breakaway Screw
CASE QTY 50 **WEIGHT/CASE** 36 lbs
BOX QTY 10 **PROJECTION** 36.5mm
LENGTH 242mm **WIDTH** 14mm



P-370.SN
 Bar Pull 320mm CC 370mm OL 14mm Dia
 H=36.5mm Satin Nickel
 With 1-3/4" Breakaway Screw
CASE QTY 50 **WEIGHT/CASE** 51 lbs
BOX QTY 10 **PROJECTION** 36.5mm
LENGTH 370mm **WIDTH** 14mm



PRIDE DÉCOR *Eleganza Collection*



P-72276.SN
 Bar Pull Square Leg 96mm C/C
 136mm OL 14mm Dia with 2pcs 1" &
 2pcs 1.75" breakaway screws
CASE QTY 100 **WEIGHT/CASE** 14 lbs
BOX QTY 20 **PROJECTION** 33mm
LENGTH 136mm **WIDTH** 14mm

P-72277.SN
 Bar Pull Square Leg 128mm C/C
 6-5/8" OL Satin Nickel 14mm Dia with
 2pcs 1" & 2pcs 1.75" breakaway screws
CASE QTY 100 **WEIGHT/CASE** 16 lbs
BOX QTY 20 **PROJECTION** 33mm
LENGTH 168mm **WIDTH** 14mm

P-72278.SN
 Bar Pull Square Leg 192mm C/C
 9-1/8" OL Satin Nickel 14mm Dia with
 2pcs 1" & 2pcs 1.75" breakaway screws
CASE QTY 100 **WEIGHT/CASE** 19 lbs
BOX QTY 20 **PROJECTION** 33mm
LENGTH 232mm **WIDTH** 14mm



SN - Satin Nickel

P-81456

Pull 96mm CC

CASE QTY	120	WEIGHT/CASE	35 lbs
BOX QTY	20	PROJECTION	26mm
LENGTH	105mm	WIDTH	21mm

Available Colors	Item Number
Oil Rubbed Bronze	P-81456.10B
Matte Black	P-81456.BK
Polished Chrome	P-81456.PC
Rose Gold	P-81456.RG
Satin Nickel	P-81456.SN



10B - Oil Rubbed Bronze

P-81458

Pull 128mm CC

CASE QTY	100	WEIGHT/CASE	38 lbs
BOX QTY	25	PROJECTION	30mm
LENGTH	137mm	WIDTH	21mm

Available Colors	Item Number
Oil Rubbed Bronze	P-81458.10B
Matte Black	P-81458.BK
Polished Chrome	P-81458.PC
Rose Gold	P-81458.RG
Satin Nickel	P-81458.SN



BK - Matte Black



P-21768

Pull 128mm CC

CASE QTY	250	WEIGHT/CASE	38 lbs
BOX QTY	25	PROJECTION	25mm
LENGTH	145mm	WIDTH	15mm

Available Colors	Item Number
Oil Rubbed Bronze	P-21768.10B
Polished Chrome	P-21768.PC
Rose Gold	P-21768.RG
Satin Nickel	P-21768.SN



SN - Satin Nickel



PC - Polished Chrome



10B - Oil Rubbed Bronze

P-82234

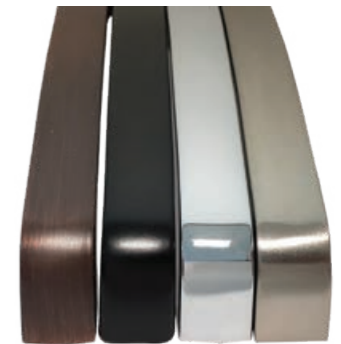
Modern Pull 96mm CC

CASE QTY	250	WEIGHT/CASE	27 lbs
BOX QTY	20	PROJECTION	24mm
LENGTH	106mm	WIDTH	10.6mm

Available Colors	Item Number
Oil Rubbed Bronze	P-82234.10B
Matte Black	P-82234.BK
Polished Chrome	P-82234.PC
Satin Nickel	P-82234.SN



SN - Satin Nickel



P-82034

Modern Pull 128mm CC

CASE QTY	250	WEIGHT/CASE	28 lbs
BOX QTY	25	PROJECTION	24mm
LENGTH	138mm	WIDTH	10.6mm

Available Colors	Item Number
Oil Rubbed Bronze	P-82034.10B
Matte Black	P-82034.BK
Polished Chrome	P-82034.PC
Satin Nickel	P-82034.SN

P-81235

Modern Pull 160mm CC

CASE QTY	250	WEIGHT/CASE	46 lbs
BOX QTY	25	PROJECTION	25mm
LENGTH	170mm	WIDTH	13.5mm

Available Colors	Item Number
Oil Rubbed Bronze	P-81235.10B
Matte Black	P-81235.BK
Polished Chrome	P-81235.PC
Satin Nickel	P-81235.SN



P-82103

Modern Bow Pull 96mm CC

CASE QTY	250	WEIGHT/CASE	26 lbs
BOX QTY	25	PROJECTION	22.5mm
LENGTH	138mm	WIDTH	15mm

Available Colors	Item Number
Oil Rubbed Bronze	P-82103.10B
Polished Chrome	P-82103.PC
Satin Nickel	P-82103.SN



SN - Satin Nickel

P-82104

Modern Bow Pull 128mm CC

CASE QTY	250	WEIGHT/CASE	36 lbs
BOX QTY	25	PROJECTION	20.5mm
LENGTH	173mm	WIDTH	16mm

Available Colors	Item Number
Oil Rubbed Bronze	P-82104.10B
Satin Nickel	P-82104.SN

P-82106

Modern Bow Pull 160mm CC

CASE QTY	150	WEIGHT/CASE	23 lbs
BOX QTY	25	PROJECTION	22mm
LENGTH	206mm	WIDTH	16mm

Available Colors	Item Number
Satin Nickel	P-82106.SN



10B - Oil Rubbed Bronze

P-87215 ✓

Deco Pull 96mm

CASE QTY	250	WEIGHT/CASE	41 lbs
BOX QTY	25	PROJECTION	32mm
LENGTH	110mm	WIDTH	13mm

Available Colors	Item Number
Oil Rubbed Bronze	P-87215.10B
Matte Black	P-87215.BK
Polished Chrome	P-87215.PC
Satin Nickel	P-87215.SN



BK - Matte Black

P-87216 ✓

Deco Pull 128mm

CASE QTY	250	WEIGHT/CASE	43 lbs
BOX QTY	25	PROJECTION	32mm
LENGTH	144mm	WIDTH	13mm

Available Colors	Item Number
Oil Rubbed Bronze	P-87216.10B
Matte Black	P-87216.BK
Polished Chrome	P-87216.PC
Satin Nickel	P-87216.SN



PC - Polished Chrome

P-87218 ✓

Deco Pull 160mm

CASE QTY	100	WEIGHT/CASE	20 lbs
BOX QTY	10	PROJECTION	35mm
LENGTH	175mm	WIDTH	13mm

Available Colors	Item Number
Oil Rubbed Bronze	P-87218.10B
Matte Black	P-87218.BK
Polished Chrome	P-87218.PC
Satin Nickel	P-87218.SN



10B - Oil Rubbed Bronze



SN - Satin Nickel

P-81541

Deco Bow Pull 96mm CC

CASE QTY	250	WEIGHT/CASE	41 lbs
BOX QTY	25	PROJECTION	27mm
LENGTH	122mm	WIDTH	24mm

Available Colors	Item Number
Oil Rubbed Bronze	P-81541.10B
Polished Chrome	P-81541.PC
Satin Nickel	P-81541.SN



P-29255.SS

Stainless Steel Pull 128mm CC with Flat Top
Metric Screws

CASE QTY	200	WEIGHT/CASE	45 lbs
BOX QTY	20	PROJECTION	29mm
LENGTH	152mm	WIDTH	10mm



10B - Oil Rubbed Bronze



BK - Matte Black



DN - Dull Nickel



PC - Polished Chrome



SC - Satin Chrome



SN - Satin Nickel

P-50S

Arch Pull 96mm CC

CASE QTY	200	WEIGHT/CASE	26 lbs
BOX QTY	20	PROJECTION	30mm
LENGTH	117mm	WIDTH	10mm

Available Colors	Item Number
Matte Black	P-50S.BK ^{250 Case; 25 Box}
Satin Nickel	P-50S.SN

P-50-160

Arch Pull 160mm CC

CASE QTY	150	WEIGHT/CASE	26 lbs
BOX QTY	10	PROJECTION	32mm
LENGTH	117mm	WIDTH	10mm

Available Colors	Item Number
Matte Black	P-50-160.BK

P-50M

Arch Pull 128mm CC

CASE QTY	200	WEIGHT/CASE	39 lbs
BOX QTY	20	PROJECTION	32mm
LENGTH	155mm	WIDTH	10mm

Available Colors	Item Number
Oil Rubbed Bronze	P-50M.10B
Matte Black	P-50M.BK
Black Nickel	P-50M.BN
Dull Nickel	P-50M.DN
Polished Chrome	P-50M.PC
Satin Chrome	P-50M.SC
Satin Nickel	P-50M.SN

P-50SG

Arch Pull 320mm CC

CASE QTY	100	WEIGHT/CASE	84 lbs
BOX QTY	10	PROJECTION	55mm
LENGTH	356mm	WIDTH	12mm

Available Colors	Item Number
Satin Nickel	P-50SG.SN



P-90396
Charleston Cup Pull 96mm CC & 3" CC
CASE QTY 150 **WEIGHT/CASE** 53 lbs
BOX QTY 15 **PROJECTION** 21mm
LENGTH 118mm **WIDTH** 42mm

Available Colors	Item Number
Oil Rubbed Bronze	P-90396.10B
Matte Black	P-90396.BK
Dark Pewter	P-90396.DP
Polished Chrome	P-90396.PC
Rose Gold	P-90396.RG
Satin Nickel	P-90396.SN



K-92230 & K-92430
Recommended knobs for this Collection.
See page 13 to see complete description
and finish availability.



10B - Oil Rubbed Bronze



BK - Matte Black



PC - Polished Chrome



RG - Rose Gold



SN - Satin Nickel

P-82981
Cup Pull 3" CC
CASE QTY 200 **WEIGHT/CASE** 21 lbs
BOX QTY 20 **PROJECTION** 28mm
LENGTH 32mm **WIDTH** 32mm

Available Colors	Item Number
Oil Rubbed Bronze	P-82981.10B
Matte Black	P-82981.BK
Dark Pewter	P-82981.DP
Polished Chrome	P-82981.PC
Rose Gold	P-82981.RG
Satin Nickel	P-82981.SN



10B - Oil Rubbed Bronze



BK - Matte Black



PC - Polished Chrome



RG - Rose Gold



SIM - Antique Silver



SN - Satin Nickel

P-953
Cup Pull 3" CC
CASE QTY 250 **WEIGHT/CASE** 28 lbs
BOX QTY 25 **PROJECTION** 35mm
LENGTH 3-1/2" **WIDTH** 43mm

Available Colors	Item Number
Oil Rubbed Bronze	P-953.10B
Matte Black	P-953.BK
Polished Chrome	P-953.PC
Rose Gold	P-953.RG
Antique Silver	P-953.SIM
Satin Nickel	P-953.SN

SIM - Antique Silver

Cup Pull Collection



10B - Oil Rubbed Bronze



ABSB - Antique Satin Brass



APH - Satin Pewter



BK - Matte Black



DACM - Weathered Black



RG - Rose Gold



PC - Polished Chrome



SN - Satin Nickel

P-80753

Bin Pull 3" CC

CASE QTY	250	WEIGHT/CASE	43 lbs
BOX QTY	25	PROJECTION	28mm
LENGTH	4-1/2"	WIDTH	34mm

Available Colors

Oil Rubbed Bronze
Antique Satin Brass
Satin Pewter
Matte Black
Weathered Black
Polished Chrome
Rose Gold
Satin Nickel

Item Number

P-80753.10B
P-80753.ABSB
P-80753.APH
P-80753.BK
P-80753.DACM
P-80753.PC
P-80753.RG
P-80753.SN

P-8233

Hooded Cup Pull 3" CC

CASE QTY	250	WEIGHT/CASE	38 lbs
BOX QTY	25	PROJECTION	24mm
LENGTH	5"	WIDTH	33mm

Available Colors

Oil Rubbed Bronze
Matte Black
Weathered Black
Polished Chrome
Antique Silver
Satin Nickel

Item Number

P-8233.10B
P-8233.BK
P-8233.DACM
P-8233.PC
P-8233.SIM
P-8233.SN



10B - Oil Rubbed Bronze



BK - Matte Black



DACM - Weathered Black



PC - Polished Chrome

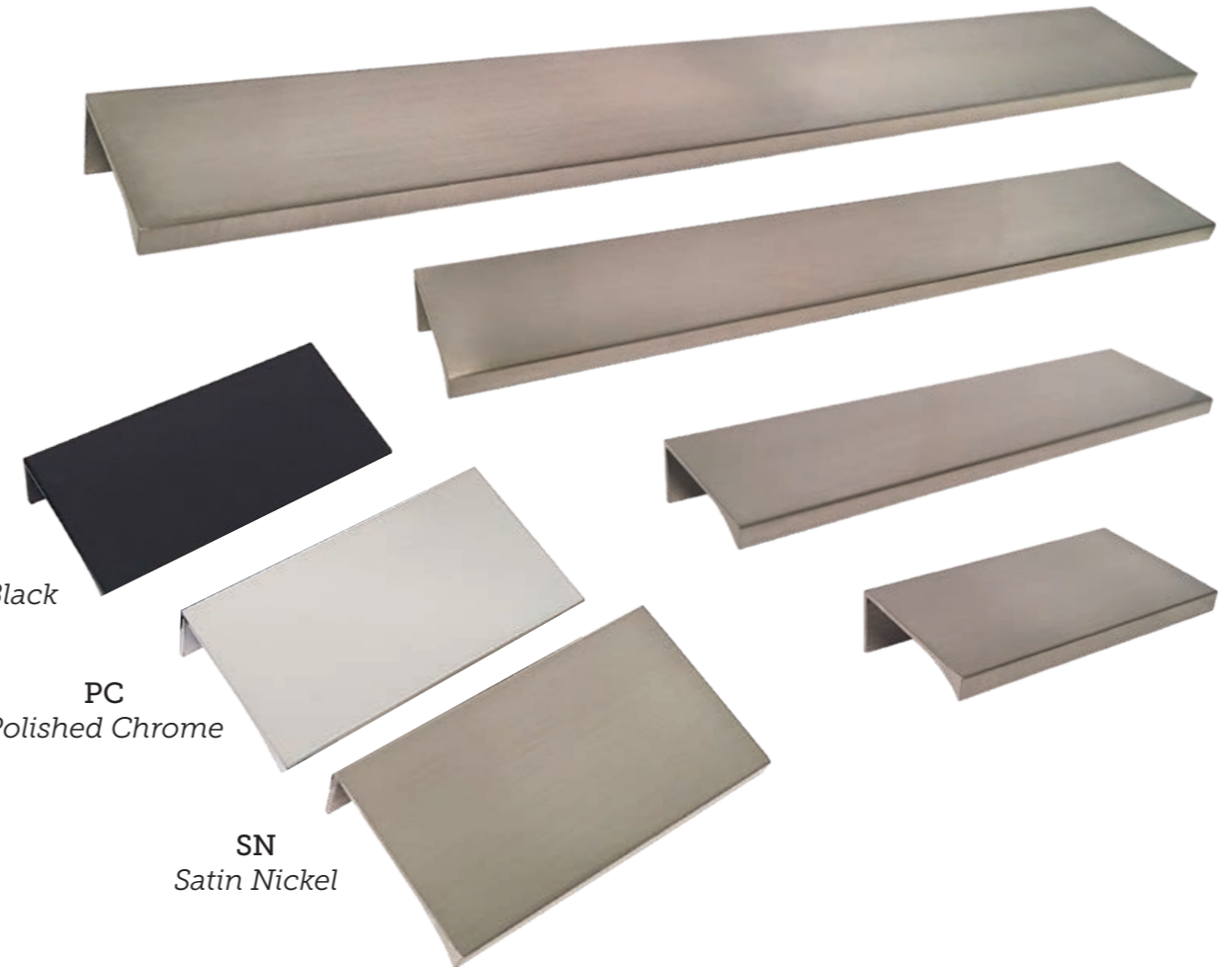


SIM - Antique Silver



SN - Satin Nickel

Tab Pulls



BK
Matte Black

PC
Polished Chrome

SN
Satin Nickel

P-1803

46mm CC x 76mm (3") OL

CASE QTY	500	WEIGHT/CASE	26 lbs
BOX QTY	50	PROJECTION	41mm
LENGTH	76mm	WIDTH	17mm

Available Colors

Matte Black
Polished Chrome
Satin Nickel

Item Number

P-1803.BK
P-1803.PC
P-1803.SN

P-1806

112mm CC x 152mm (6") OL

CASE QTY	300	WEIGHT/CASE	31 lbs
BOX QTY	30	PROJECTION	41mm
LENGTH	152mm	WIDTH	17mm

Available Colors

Matte Black
Polished Chrome
Satin Nickel

Item Number

P-1806.BK
P-1806.PC
P-1806.SN

P-1809

189mm CC x 229mm (9") OL

CASE QTY	180	WEIGHT/CASE	26 lbs
BOX QTY	30	PROJECTION	41mm
LENGTH	229mm	WIDTH	17mm

Available Colors

Matte Black
Polished Chrome
Satin Nickel

Item Number

P-1809.BK
P-1809.PC
P-1809.SN

P-1812

132mm*2 CC x 304mm (12") OL

CASE QTY	150	WEIGHT/CASE	30 lbs
BOX QTY	25	PROJECTION	41mm
LENGTH	304mm	WIDTH	17mm

Available Colors

Matte Black
Polished Chrome
Satin Nickel

Item Number

P-1812.BK
P-1812.PC
P-1812.SN

Tab Pulls



10B - Oil Rubbed Bronze



BK - Matte Black

P-1876

Aluminum Tab Pull 60mm C/C 76mm OL

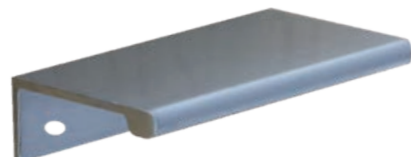
CASE QTY	250	WEIGHT/CASE	19 lbs
BOX QTY	25	PROJECTION	38mm
LENGTH	76mm	WIDTH	41mm

Available Colors

Oil Rubbed Bronze
Matte Black
Satin Nickel

Item Number

P-1876.10B
P-1876.BK
P-1876.SN



SN - Satin Nickel

P-80014

2" Edge Pull

CASE QTY	250	WEIGHT/CASE	41 lbs
BOX QTY	25	PROJECTION	37mm
LENGTH	37mm	WIDTH	50mm

Available Colors

Oil Rubbed Bronze
Matte Black
Satin Nickel

Item Number

P-80014.10B
P-80014.BK
P-80014.SN



10B - Oil Rubbed Bronze

BK - Matte Black

SN - Satin Nickel

K-1667

Bar Knob 32mm CC x 48mm

CASE QTY	250	WEIGHT/CASE	48 lbs
BOX QTY	25	PROJECTION	22.4mm
LENGTH	48mm	WIDTH	48mm

Available Colors

Oil Rubbed Bronze
Polished Chrome
Satin Nickel

Item Number

K-1667.10B
K-1667.PC
K-1667.SN



10B - Oil Rubbed Bronze

PC - Polished Chrome

SN - Satin Nickel

Tab Pulls

P-80215

Contemporary Pull 96mm CC

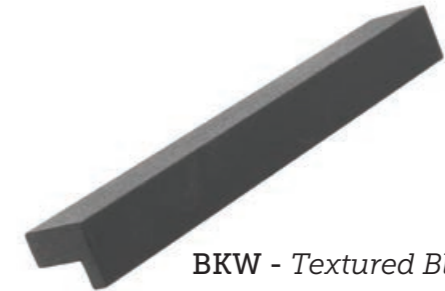
CASE QTY	200	WEIGHT/CASE	41 lbs
BOX QTY	25	PROJECTION	20mm
LENGTH	148mm	WIDTH	17mm

Metric Threads

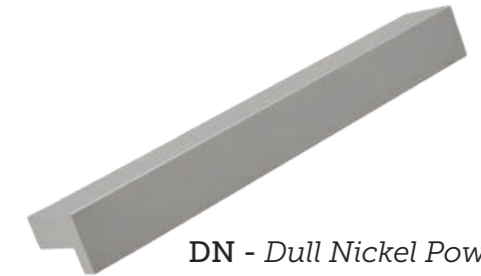
Available Colors
Black Wrinkle Powder
Dull Nickel
Satin Nickel

Item Number

P-80215.BKW
P-80215.DN
P-80215.SN



BKW - Textured Black



DN - Dull Nickel Powder

P-80846

Waterfall Pull 96mm CC x 6-3/4" OL

CASE QTY	250	WEIGHT/CASE	36 lbs
BOX QTY	25	PROJECTION	18mm
LENGTH	172mm	WIDTH	18mm

Available Colors

Oil Rubbed Bronze
Matte Black
Satin Nickel

Item Number

P-80846.10B
P-80846.BK
P-80846.SN



10B - Oil Rubbed Bronze



BK - Matte Black



SN - Satin Nickel

P-80846.128

Waterfall Pull 128mm CC x 6-3/4" OL

CASE QTY	250	WEIGHT/CASE	41 lbs
BOX QTY	25	PROJECTION	18mm
LENGTH	172mm	WIDTH	18mm

Available Colors

Matte Black
Satin Nickel

Item Number

P-80846.128.BK
P-80846.128.SN



BK - Matte Black



SN - Satin Nickel

K-86618

65mm Deco Knob

CASE QTY	250	WEIGHT/CASE	46 lbs
BOX QTY	25	PROJECTION	30mm
LENGTH	65mm	WIDTH	18mm

Available Colors

Oil Rubbed Bronze
Antique Satin Brass
Satin Pewter
Weathered Black
Rose Gold
Satin Nickel

Item Number

K-86618.10B
K-86618.ABSB
K-86618.APH
K-86618.DACM
K-86618.RG
K-86618.SN



10B - Oil Rubbed Bronze



ABSB - Antique Satin Brass



APH - Satin Pewter



DACM - Weathered Black



SN - Satin Nickel



RG - Rose Gold

P-86718

Deco Pull 128mm CC

CASE QTY	250	WEIGHT/CASE	58 lbs
BOX QTY	25	PROJECTION	36mm
LENGTH	145mm	WIDTH	18mm

Available Colors

Oil Rubbed Bronze
Antique Satin Brass
Satin Pewter
Weathered Black
Rose Gold
Satin Nickel

Item Number

P-86718.10B
P-86718.ABSB
P-86718.APH
P-86718.DACM
P-86718.RG
P-86718.SN



10B - Oil Rubbed Bronze



ABSB - Antique Satin Brass



APH - Satin Pewter



DACM - Weathered Black



SN - Satin Nickel



RG - Rose Gold



10B - Oil Rubbed Bronze



ABSB - Antique Satin Brass



APH - Satin Pewter



DACM - Weathered Black



SN - Satin Nickel

K-972

30mm Braided Knob

CASE QTY	250	WEIGHT/CASE	31 lbs
BOX QTY	25	PROJECTION	22mm
LENGTH	30mm	WIDTH	30mm

Available Colors

Oil Rubbed Bronze
Antique Satin Brass
Satin Pewter
Weathered Black
Satin Nickel

Item Number

K-972.10B
K-972.ABSB
K-972.APH
K-972.DACM
K-972.SN

P-81366

Deco Pull 96mm CC

CASE QTY	250	WEIGHT/CASE	33 lbs
BOX QTY	25	PROJECTION	28mm
LENGTH	118mm	WIDTH	15mm

Available Colors

Oil Rubbed Bronze
Antique Satin Brass
Satin Pewter
Weathered Black
Satin Nickel

Item Number

P-81366.10B
P-81366.ABSB
P-81366.APH
P-81366.DACM
P-81366.SN



10B - Oil Rubbed Bronze



ABSB - Antique Satin Brass



DACM - Weathered Black



SN - Satin Nickel



APH - Satin Pewter



10B - Oil Rubbed Bronze

K-81784

30mm Rope Knob

CASE QTY	250	WEIGHT/CASE	33 lbs
BOX QTY	25	PROJECTION	28mm
LENGTH	118mm	WIDTH	15mm

Available Colors

Oil Rubbed Bronze
Antique Satin Brass
Weathered Black
Satin Nickel

Item Number

K-81784.10B
K-81784.ABSB
K-81784.DACM
K-81784.SN



ABSB - Antique Satin Brass



DACM - Weathered Black



SN - Satin Nickel

P-81297

Deco Bow Pull 96mm CC

CASE QTY	250	WEIGHT/CASE	31 lbs
BOX QTY	25	PROJECTION	26mm
LENGTH	120mm	WIDTH	6mm

Available Colors

Oil Rubbed Bronze
Satin Pewter
Satin Nickel

Item Number

P-81297.10B
P-81297.APH
P-81297.SN



10B - Oil Rubbed Bronze



APH - Satin Pewter



SN - Satin Nickel



10B - Oil Rubbed Bronze

K-81353

32mm Deco Knob

CASE QTY	250	WEIGHT/CASE	38 lbs
BOX QTY	25	PROJECTION	26mm
LENGTH	32mm	WIDTH	32mm

Available Colors

Oil Rubbed Bronze
Satin Pewter
Weathered Black
Satin Nickel

Item Number

K-81353.10B
K-81353.APH
K-81353.DACM
K-81353.SN



APH - Satin Pewter



DACM - Weathered Black



SN - Satin Nickel

P-86765

Deco Pull 3" CC

CASE QTY	250	WEIGHT/CASE	31 lbs
BOX QTY	25	PROJECTION	27mm
LENGTH	120mm	WIDTH	9mm

Available Colors

Oil Rubbed Bronze
Antique Satin Brass
Satin Pewter
Weathered Black
Satin Nickel

Item Number

P-86765.10B
P-86765.ABSB
P-86765.APH
P-86765.DACM
P-86765.SN



10B - Oil Rubbed Bronze



ABSB - Antique Satin Brass



DACM - Weathered Black



APH - Satin Pewter



SN - Satin Nickel



10B - Oil Rubbed Bronze

K-80576

30mm Deco Knob

CASE QTY	250	WEIGHT/CASE	26 lbs
BOX QTY	25	PROJECTION	26mm
LENGTH	30mm	WIDTH	30mm

Available Colors

Oil Rubbed Bronze
Antique Satin Brass
Weathered Black
Satin Nickel

Item Number

K-80576.10B
K-80576.ABSB
K-80576.DACM
K-80576.SN



ABSB - Antique Satin Brass



DACM - Weathered Black



SN - Satin Nickel



10B - Oil Rubbed Bronze

P-80008

Deco Pull 3" CC

CASE QTY	250	WEIGHT/CASE	26 lbs
BOX QTY	25	PROJECTION	23mm
LENGTH	135mm	WIDTH	18mm

Available Colors

Oil Rubbed Bronze
Antique Satin Brass
Satin Pewter
Weathered Black
Satin Nickel

Item Number

P-80008.10B
P-80008.ABSB
P-80008.APH
P-80008.DACM
P-80008.SN



ABSB - Antique Satin Brass



DACM - Weathered Black



APH - Satin Pewter



SN - Satin Nickel

K-82115

32mm Braided Knob

CASE QTY	250	WEIGHT/CASE	31 lbs
BOX QTY	25	PROJECTION	25mm
LENGTH	32mm	WIDTH	32mm

Available Colors

Oil Rubbed Bronze
Antique Satin Brass
Satin Pewter
Weathered Black
Satin Nickel

Item Number

K-82115.10B
K-82115.ABSB
K-82115.APH
K-82115.DACM
K-82115.SN



10B - Oil Rubbed Bronze



ABSB - Antique Satin Brass



DACM - Weathered Black



SN - Satin Nickel



APH - Satin Pewter



10B - Oil Rubbed Bronze

P-83063

Braided Pull 3" CC

CASE QTY	250	WEIGHT/CASE	38 lbs
BOX QTY	25	PROJECTION	25mm
LENGTH	120mm	WIDTH	14mm

Available Colors

Oil Rubbed Bronze
Antique Satin Brass
Satin Pewter
Weathered Black
Satin Nickel

Item Number

P-83063.10B
P-83063.ABSB
P-83063.APH
P-83063.DACM
P-83063.SN



ABSB - Antique Satin Brass



DACM - Weathered Black



APH - Satin Pewter



SN - Satin Nickel

Knob Options



10B - Oil Rubbed Bronze

K-971
1-3/8" Knob
CASE QTY 250 **WEIGHT/CASE** 33 lbs
BOX QTY 25 **PROJECTION** 25mm
LENGTH 35mm **WIDTH** 35mm

Available Colors	Item Number
Oil Rubbed Bronze	K-971.10B
Antique Copper Machined	K-971.ACM
Matte Black	K-971.BK
Weathered Nickel	K-971.BNMDL
Polished Chrome	K-971.PC
Rose Gold	K-971.RG
Antique Silver	K-971.SIM
Satin Nickel	K-971.SN



ACM - Antique Copper Machined



BK - Matte Black



PC - Polished Chrome



SIM - Antique Silver



BNMDL - Weathered Nickel



RG - Rose Gold



SN - Satin Nickel



10B - Oil Rubbed Bronze

K-970
30mm Rope Knob
CASE QTY 250 **WEIGHT/CASE** 33 lbs
BOX QTY 25 **PROJECTION** 26mm
LENGTH 30mm **WIDTH** 30mm

Available Colors	Item Number
Oil Rubbed Bronze	K-970.10B
Antique Silver	K-970.SIM
Satin Nickel	K-970.SN



SIM - Antique Silver



SN - Satin Nickel

Traditional Collections



10B - Oil Rubbed Bronze

K-80110
30mm Deco Knob
CASE QTY 250 **WEIGHT/CASE** 31 lbs
BOX QTY 25 **PROJECTION** 27mm
LENGTH 30mm **WIDTH** 30mm

Available Colors	Item Number
Oil Rubbed Bronze	K-80110.10B
Weathered Black	K-80110.DACM
Satin Nickel	K-80110.SN



APH - Satin Pewter



DACM - Weathered Black



SN - Satin Nickel



10B - Oil Rubbed Bronze

P-80281
Deco Pull 96mm CC
CASE QTY 250 **WEIGHT/CASE** 56 lbs
BOX QTY 25 **PROJECTION** 32mm
LENGTH 116mm **WIDTH** 10mm

Available Colors	Item Number
Oil Rubbed Bronze	P-80281.10B
Satin Pewter	P-80281.APH
Weathered Black	P-80281.DACM
Satin Nickel	P-80281.SN



DACM - Weathered Black



APH - Satin Pewter



SN - Satin Nickel

K-80960

32mm Deco Knob

CASE QTY	250	WEIGHT/CASE	31 lbs
BOX QTY	25	PROJECTION	27mm
DIAMETER	31.6 mm		

Available Colors

Oil Rubbed Bronze
Antique Satin Brass
Satin Pewter
Weathered Black
Satin Nickel

Item Number

K-80960.10B
K-80960.ABSB
K-80960.APH
K-80960.DACM
K-80960.SN



SN - Satin Nickel

P-80290

Pull 3" CC

CASE QTY	250	WEIGHT/CASE	28 lbs
BOX QTY	25	PROJECTION	32mm
LENGTH	85mm	WIDTH	17mm

Available Colors

Oil Rubbed Bronze
Weathered Black
Satin Nickel

Item Number

P-80290.10B
P-80290.DACM
P-80290.SN



10B - Oil Rubbed Bronze

DACM - Weathered Black

P-80289

Pull 96mmCC

CASE QTY	250	WEIGHT/CASE	28 lbs
BOX QTY	25	PROJECTION	33mm
LENGTH	108mm	WIDTH	13mm

Available Colors

Oil Rubbed Bronze
Satin Nickel

Item Number

P-80289.10B
P-80289.SN



SN - Satin Nickel

P-350-3.SN

Pull 3" CC Satin Nickel

CASE QTY	250	WEIGHT/CASE	23 lbs
BOX QTY	25	PROJECTION	32mm
LENGTH	86mm	WIDTH	9mm



SN - Satin Nickel



AL - Aluminum



BN - Black Nickel



SB - Satin Brass



SC - Satin Chrome



BK - Matte Black



10B - Oil Rubbed Bronze



SN - Satin Nickel



SS - Stainless Steel



PB - Polished Brass



PC - Polished Chrome



WT - White



P-353

Wire Pull 3"CC

CASE QTY	250	WEIGHT/CASE	31 lbs
BOX QTY	25	PROJECTION	32mm
LENGTH	84mm	WIDTH	8mm

Available Colors

Oil Rubbed Bronze
Matte Black
Polished Brass
Polished Chrome
Satin Brass
Satin Chrome
Satin Nickel
Stainless Steel
White

Item Number

P-353.10B
P-353.BK
P-353.PB
P-353.PC
P-353.SB
P-353.SC
P-353.SN
P-353.SS
P-353.WT

P-354

Wire Pull 3-1/2"CC

CASE QTY	250	WEIGHT/CASE	33 lbs
BOX QTY	25	PROJECTION	32mm
LENGTH	84mm	WIDTH	8mm

Available Colors

Oil Rubbed Bronze
Matte Black
Polished Brass
Polished Chrome
Satin Chrome
Satin Nickel
Stainless Steel

Item Number

P-354.10B
P-354.BK
P-354.PB
P-354.PC
P-354.SC
P-354.SN
P-354.SS

P-356 ✓

Wire Pull 5"CC

CASE QTY	250	WEIGHT/CASE	43 lbs
BOX QTY	25	PROJECTION	32mm
LENGTH	135mm	WIDTH	8mm

Available Colors

Satin Chrome
Stainless Steel

Item Number

P-356.SC
P-356.SS

P-396 ✓

Wire Pull 96mm CC

CASE QTY	250	WEIGHT/CASE	36 lbs
BOX QTY	25	PROJECTION	32mm
LENGTH	104mm	WIDTH	8mm

Available Colors

Oil Rubbed Bronze
Matte Black
Polished Brass
Polished Chrome
Satin Brass
Satin Chrome
Satin Nickel
Stainless Steel

Item Number

P-396.10B
P-396.BK
P-396.PB
P-396.PC
P-396.SB
P-396.SC
P-396.SN
P-396.SS

P-355 ✓

Wire Pull 4"CC

CASE QTY	250	WEIGHT/CASE	31 lbs
BOX QTY	25	PROJECTION	32mm
LENGTH	110mm	WIDTH	8mm

Available Colors

Oil Rubbed Bronze
Aluminum
Matte Black
Black Nickel
Polished Brass
Polished Chrome
Satin Brass
Satin Chrome
Satin Nickel
Stainless Steel
White

Item Number

P-355.10B
P-355.AL
P-355.BK
P-355.BN
P-355.PB
P-355.PC
P-355.SB
P-355.SC
P-355.SN
P-355.SS
P-355.WT

Knob Options



10B - Oil Rubbed Bronze

K-80980

32mm Knob

CASE QTY	250	WEIGHT/CASE	36 lbs
BOX QTY	25	PROJECTION	27mm
DIAMETER	31.6mm		

Available Colors

Oil Rubbed Bronze
Weathered Black
Polished Chrome
Satin Nickel

Item Number

K-80980.10B
K-80980.DACM
K-80980.PC
K-80980.SN



SN - Satin Nickel



PC - Polished Chrome



DACM - Weathered Black



10B - Oil Rubbed Bronze

K-928

31mm Knob

CASE QTY	250	WEIGHT/CASE	42 lbs
BOX QTY	25	PROJECTION	26mm
LENGTH	31mm	WIDTH	31mm

Available Colors

Oil Rubbed Bronze
Polished Chrome
Antique Silver
Satin Nickel

Item Number

K-928.10B
K-928.PC
K-928.SIM
K-928.SN



PC - Polished Chrome



SIM - Antique Silver



SN - Satin Nickel

Knob Options



10B - Oil Rubbed Bronze



AB - Antique Brass



BK - Matte Black



BN - Black Nickel



DACM - Weathered Black



DP - Dark Pewter



PB - Polished Brass



PC - Polished Chrome



RG - Rose Gold



SB - Satin Brass



SC - Satin Chrome



SN - Satin Nickel



WT - White



SN - Satin Nickel
HOLLOW



10B - Oil Rubbed Bronze
HOLLOW

K-910

30mm Diecast Knob

CASE QTY	250	WEIGHT/CASE	33 lbs
BOX QTY	25	PROJECTION	28mm
LENGTH	30mm	WIDTH	30mm

Available Colors

Oil Rubbed Bronze
Antique Brass
Matte Black
Black Nickel
Weathered Black
Dark Pewter
Polished Brass
Polished Chrome
Rose Gold
Satin Brass
Satin Chrome
Satin Nickel
White

Item Number

K-910.10B
K-910.AB
K-910.BK
K-910.BN
K-910.DACM
K-910.DP
K-910.PB
K-910.PC
K-910.RG
K-910.SB
K-910.SC
K-910.SN
K-910.WT



PC - Polished Chrome
HOLLOW

K-910H

30mm Island Knob

CASE QTY	250	WEIGHT/CASE	11 lbs
BOX QTY	25	PROJECTION	28mm
LENGTH	30mm	WIDTH	30mm

Available Colors

Oil Rubbed Bronze
Polished Chrome
Satin Nickel

Item Number

K-910H.10B
K-910H.PC
K-910H.SN

K-810.SN
Mini Mushroom Knob 25mm Dia H=24.4mm
with 1-1/4" screw

CASE QTY	250	WEIGHT/CASE	18 lbs
BOX QTY	25	PROJECTION	24.4mm
LENGTH	25mm	WIDTH	25mm



10B - Oil Rubbed Bronze

K-83990
1-1/4" Football Knob

CASE QTY	250	WEIGHT/CASE	36 lbs
BOX QTY	25	PROJECTION	41mm
LENGTH	32mm	WIDTH	21mm

Available Colors	Item Number
Oil Rubbed Bronze	K-83990.10B
Matte Black	K-83990.BK
Weathered Black	K-83990.DACM
Satin Nickel	K-83990.SN



BK - Matte Black



DACM - Weathered Black



SN - Satin Nickel



10B - Oil Rubbed Bronze

K-83991
1-5/8" Football Knob

CASE QTY	250	WEIGHT/CASE	61 lbs
BOX QTY	25	PROJECTION	41mm
LENGTH	41mm	WIDTH	23mm

Available Colors	Item Number
Oil Rubbed Bronze	K-83991.10B
Matte Black	K-83991.BK
Weathered Black	K-83991.DACM
Satin Nickel	K-83991.SN



BK - Matte Black



DACM - Weathered Black



SN - Satin Nickel

K-82980
1-1/4" Diecast Knob Satin Nickel

CASE QTY	250	WEIGHT/CASE	44 lbs
BOX QTY	25	PROJECTION	29mm
LENGTH	32mm	WIDTH	32mm

Available Colors	Item Number
Polished Chrome	K-82980.PC
Satin Nickel	K-82980.SN



PC - Polished Chrome



SN - Satin Nickel

K-53082
32mm Pyramid Top Knob Satin Nickel

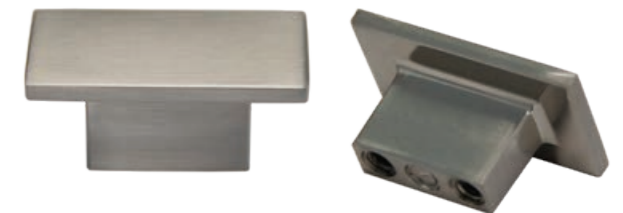
CASE QTY	250	WEIGHT/CASE	38 lbs
BOX QTY	25	PROJECTION	22mm
LENGTH	32mm	WIDTH	32mm

Available Colors	Item Number
Oil Rubbed Bronze	K-53082.10B
Polished Chrome	K-53082.PC
Satin Nickel	K-53082.SN



K-81021.SN
22x40mm 16mm C/C Rectangular Knob
Satin Nickel W/1-3/4" Breakaway Screw

CASE QTY	250	WEIGHT/CASE	21 lbs
BOX QTY	25	PROJECTION	19mm
LENGTH	40mm	WIDTH	22mm



K-6361.SN
31mm Knob Satin Nickel

CASE QTY	250	WEIGHT/CASE	18 lbs
BOX QTY	25	PROJECTION	23mm
LENGTH	31mm	WIDTH	31mm



Knob Options

K-80650

Oval Knob 47.8*25.4

CASE QTY	250	WEIGHT/CASE	37 lbs
BOX QTY	25	PROJECTION	25mm
LENGTH	47.8mm	WIDTH	25.4mm

Available Colors

Oil Rubbed Bronze
Brushed Pewter
Satin Nickel

Item Number

K-80650.10B
K-80650.APH
K-80650.SN



APH - Brushed Pewter



SN - Satin Nickel



10B - Oil Rubbed Bronze



SN - Satin Nickel

K-3910

30.2mm Diecast Knob

CASE QTY	250	WEIGHT/CASE	34 lbs
BOX QTY	25	PROJECTION	29mm
LENGTH	30.2mm	WIDTH	30.2mm

Available Colors

Oil Rubbed Bronze
Polished Chrome
Satin Nickel

Item Number

K-3910.10B
K-3910.PC
K-3910.SN

K-7141.SN

1-1/4 Knob Satin Nickel W/O screws Bulk Pack

CASE QTY	250	WEIGHT/CASE	18 lbs
BOX QTY	BULK	PROJECTION	21mm
LENGTH	31.7mm	WIDTH	31.7mm



K-6030.BK

17mm Knob Matte Black

CASE QTY	500	WEIGHT/CASE	26 lbs
BOX QTY	50	PROJECTION	20mm
LENGTH	17.5mm	WIDTH	17.5mm



Arched Pull Residential



BK - Matte Black



SN - Satin Nickel

P-4655

Bow Pull 128mm CC

CASE QTY	250	WEIGHT/CASE	38 lbs
BOX QTY	25	PROJECTION	32mm
LENGTH	160mm	WIDTH	6mm

Available Colors

Matte Black
Satin Nickel

Item Number

P-4655.BK
P-4655.SN



P-8065.SN

Deco Pull 96mm CC Satin Nickel

CASE QTY	250	WEIGHT/CASE	26 lbs
BOX QTY	25	PROJECTION	27mm
LENGTH	130mm	WIDTH	5mm

P-8731.SN

Wave Pull 96mm CC Satin Nickel

CASE QTY	250	WEIGHT/CASE	33 lbs
BOX QTY	25	PROJECTION	24mm
LENGTH	130mm	WIDTH	7mm



P-A012.SN

45mm Oval Knob 16mm CC Satin Nickel

CASE QTY	120	WEIGHT/CASE	41 lbs
BOX QTY	20	PROJECTION	29mm
LENGTH	160mm	WIDTH	19mm

Arched Pull Residential

P-2278

Bow Pull 128mm CC

CASE QTY	250	WEIGHT/CASE	56 lbs
BOX QTY	25	PROJECTION	30mm
LENGTH	145mm	WIDTH	15mm

Available Colors

Oil Rubbed Bronze
Polished Chrome
Satin Nickel

Item Number

P-2278.10B
P-2278.PC
P-2278.SN



10B - Oil Rubbed Bronze



SN - Satin Nickel



PC - Polished Chrome



P-7166.SN

Bow Pull 96mm CC Satin Nickel

CASE QTY	250	WEIGHT/CASE	26 lbs
BOX QTY	25	PROJECTION	28mm
LENGTH	116mm	WIDTH	5mm

P-888.SN

Contemporary Pull 128mm CC Satin Nickel

CASE QTY	250	WEIGHT/CASE	23 lbs
BOX QTY	25	PROJECTION	26mm
LENGTH	155mm	WIDTH	7mm



P-81145

Arch Pull Flat Top 128mm CC

CASE QTY	250	WEIGHT/CASE	41 lbs
BOX QTY	25	PROJECTION	27mm
LENGTH	154mm	WIDTH	14mm

Available Colors

Matte Black
Dull Nickel

Item Number

P-81145.BK
P-81145.DN



BK - Matte Black



DN - Dull Nickel

Pull Options

P-092910

Dimpled Pull 128mm CC

CASE QTY	250	WEIGHT/CASE	48 lbs
BOX QTY	25	PROJECTION	29mm
LENGTH	158mm	WIDTH	16mm

Available Colors

Oil Rubbed Bronze
Matte Black
Satin Nickel

Item Number

P-092910.10B
P-092910.BK
P-092910.SN



10B - Oil Rubbed Bronze



SN - Satin Nickel



P-908.SN

Pull 3" CC Satin Nickel

CASE QTY	250	WEIGHT/CASE	26 lbs
BOX QTY	25	PROJECTION	22mm
LENGTH	145mm	WIDTH	15mm

P-80814

Pull 96mm CC

CASE QTY	250	WEIGHT/CASE	27 lbs
BOX QTY	25	PROJECTION	22mm
LENGTH	127mm	WIDTH	11mm

Available Colors

Oil Rubbed Bronze
Satin Nickel

Item Number

P-80814.10B
P-80814.SN



P-80815.SN

Pull 128mm CC Satin Nickel

CASE QTY	250	WEIGHT/CASE	33 lbs
BOX QTY	25	PROJECTION	31mm
LENGTH	160mm	WIDTH	14mm

P-954

Pull 3" CC

CASE QTY	250	WEIGHT/CASE	43 lbs
BOX QTY	25	PROJECTION	25mm
LENGTH	144mm	WIDTH	16mm

Available Colors

Oil Rubbed Bronze
Antique Copper
Satin Nickel

Item Number

P-954.10B
P-954.ACM
P-954.SN



ACM - Antique Copper



10B - Oil Rubbed Bronze



SN - Satin Nickel



P-88760.10B

Pull 96mm CC Oil Rubbed Bronze

CASE QTY	250	WEIGHT/CASE	51 lbs
BOX QTY	25	PROJECTION	25mm
LENGTH	123mm	WIDTH	8mm

P-8004.SN

4-7/8" OL 96mm C/C Pull Satin Nickel W/1-3/4" Breakway Screw

CASE QTY	250	WEIGHT/CASE	27 lbs
BOX QTY	25	PROJECTION	27mm
LENGTH	125mm	WIDTH	9.5mm



P-675.BK/SS

Recessed Pull with Stainless Steel Face

CASE QTY	250	WEIGHT/CASE	23 lbs
BOX QTY	25	PROJECTION	-23mm
LENGTH	114mm	WIDTH	32mm

Recess is 32mm x 98mm



P-847

Pull 3" CC

CASE QTY	250	WEIGHT/CASE	33 lbs
BOX QTY	25	PROJECTION	28mm
LENGTH	128mm	WIDTH	12mm

Available Colors

Oil Rubbed Bronze
Weathered Nickel
Satin Nickel

Item Number

P-847.10B
P-847.BNMDL
P-847.SN



10B - Oil Rubbed Bronze



SN - Satin Nickel



BNMDL - Weathered Nickel



10B - Oil Rubbed Bronze

P-433

Pull 3" CC

CASE QTY	250	WEIGHT/CASE	21 lbs
BOX QTY	25	PROJECTION	20mm
LENGTH	128mm	WIDTH	11mm

Available Colors

Oil Rubbed Bronze
Antique Brass
Polished Brass
Satin Nickel

Item Number

P-433.10B
P-433.ABH
P-433.PB
P-433.SN



ABH - Antique Brass



PB - Polished Brass



SN - Satin Nickel

Pull Options

P-3167

Pull 3" CC

CASE QTY	250	WEIGHT/CASE	33 lbs
BOX QTY	25	PROJECTION	25mm
LENGTH	120mm	WIDTH	13mm

Available Colors	Item Number
Oil Rubbed Bronze	P-3167.10B
Antique Silver	P-3167.SIM



10B - Oil Rubbed Bronze



SIM - Antique Silver



ABH - Antique Brass



SN - Satin Nickel

P-259

Pull 3" CC

CASE QTY	250	WEIGHT/CASE	23 lbs
BOX QTY	25	PROJECTION	22mm
LENGTH	122mm	WIDTH	14mm

Available Colors	Item Number
Antique Brass	P-259.ABH
Satin Nickel	P-259.SN

P-904.SN

Pull 3" CC Satin Nickel

CASE QTY	250	WEIGHT/CASE	26 lbs
BOX QTY	25	PROJECTION	24mm
LENGTH	130mm	WIDTH	15mm



P-3131

Pull 3" CC

CASE QTY	250	WEIGHT/CASE	33 lbs
BOX QTY	25	PROJECTION	25mm
LENGTH	134mm	WIDTH	13mm

Available Colors	Item Number
Antique English Polished	P-3131.AEH
Satin Nickel	P-3131.SN



AEH - Antique English Polished



SN - Satin Nickel

Furniture Pulls

P-88

Pull 4" CC

CASE QTY	250	WEIGHT/CASE	33 lbs
BOX QTY	25	PROJECTION	24mm
LENGTH	130mm	WIDTH	12mm

Available Colors	Item Number
Oil Rubbed Bronze	P-88.10B
Antique Brass Machined	P-88.ABM



10B - Oil Rubbed Bronze



ABM - Antique Brass Machined



10B - Oil Rubbed Bronze



ACM - Antique Copper



BNMDL - Weathered Nickel

P-955

Rope Pull 3" CC

CASE QTY	250	WEIGHT/CASE	38 lbs
BOX QTY	25	PROJECTION	30mm
LENGTH	95mm	WIDTH	12mm

Available Colors	Item Number
Oil Rubbed Bronze	P-955.10B
Antique Copper	P-955.ACM
Weathered Nickel	P-955.BNMDL
Antique Silver	P-955.SIM
Satin Nickel	P-955.SN



SIM - Antique Silver



SN - Satin Nickel

P-81393.SN

Diamond Pull 96mm CC Satin Nickel

CASE QTY	250	WEIGHT/CASE	55 lbs
BOX QTY	25	PROJECTION	24mm
LENGTH	126mm	WIDTH	22mm



SN - Satin Nickel

K-82393.SN

Diamond Knob Satin Nickel

CASE QTY	250	WEIGHT/CASE	26 lbs
BOX QTY	25	PROJECTION	24mm
LENGTH	35mm	WIDTH	25mm



P-81929

Craftsman Pull 128mm CC

CASE QTY	100	WEIGHT/CASE	32 lbs
BOX QTY	10	PROJECTION	23mm
LENGTH	136mm	WIDTH	20mm

Available Colors
Oil Rubbed Bronze
Antique Pewter
Satin Nickel

Item Number
P-81929.10B
P-81929.APH
P-81929.SN



10B - Oil Rubbed Bronze



APH - Antique Pewter



SN - Satin Nickel

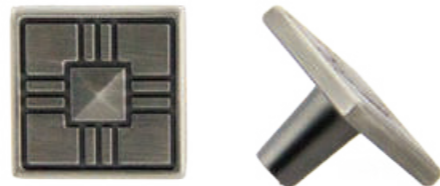
K-82929

Craftsman Knob

CASE QTY	250	WEIGHT/CASE	25 lbs
BOX QTY	25	PROJECTION	23mm
LENGTH	32mm	WIDTH	32mm

Available Colors
Antique Pewter
Satin Nickel

Item Number
K-82929.APH
K-82929.SN



K-82928

Fleur di Lis Knob

CASE QTY	250	WEIGHT/CASE	43 lbs
BOX QTY	25	PROJECTION	28mm
LENGTH	48mm	WIDTH	36mm

Available Colors
Oil Rubbed Bronze
Antique Satin Brass
Satin Pewter

Item Number
K-82928.10B
K-82928.ABSB
K-82928.APH



10B - Oil Rubbed Bronze



APH - Satin Pewter



ABSB - Antique Satin Brass

K-82142.SN

Knob with Finger Pull 20x26mm

CASE QTY	250	WEIGHT/CASE	18 lbs
BOX QTY	25	PROJECTION	26mm
LENGTH	26mm	WIDTH	20mm



K-8026.SN-2

45mm Oval Knob 16mm CC Satin Nickel

CASE QTY	250	WEIGHT/CASE	43 lbs
BOX QTY	BULK	PROJECTION	20mm
LENGTH	43mm	WIDTH	19mm

P-1011.BK

Mission Pull 3" CC Matte Black

CASE QTY	200	WEIGHT/CASE	56 lbs
BOX QTY	20	PROJECTION	42mm
LENGTH	96mm	WIDTH	9mm



P-1700.BK

Twist Bail Pull 4-1/2" CC Matte Black

CASE QTY	250	WEIGHT/CASE	58 lbs
BOX QTY	25	PROJECTION	41mm
LENGTH	157mm	WIDTH	12mm



R-1401.BK

Ring Pull Matte Black

CASE QTY	250	WEIGHT/CASE	11 lbs
BOX QTY	25	PROJECTION	50mm
LENGTH	36mm	WIDTH	5mm



R-1501.BK

Ring Pull Matte Black

CASE QTY	250	WEIGHT/CASE	21 lbs
BOX QTY	25	PROJECTION	50mm
LENGTH	36mm	WIDTH	5mm



K-1012.BK

Mission Knocker Matte Black

CASE QTY	250	WEIGHT/CASE	33 lbs
BOX QTY	25	PROJECTION	60mm
LENGTH	48mm	WIDTH	96mm



K-7141.BLAE

1-1/4 Knob Antique Black W/O screws Bulk Pack

CASE QTY	250	WEIGHT/CASE	18 lbs
BOX QTY	BULK	PROJECTION	21mm
LENGTH	31.7mm	WIDTH	31.7mm



R-1701.BK

Ring Pull Matte Black

CASE QTY	250	WEIGHT/CASE	33 lbs
BOX QTY	25	PROJECTION	55mm
LENGTH	46mm	WIDTH	10mm



CH-1003.PC

Single Coat Hook Polished Chrome

CASE QTY	250	WEIGHT/CASE	18 lbs
BOX QTY	25	PROJECTION	41.5mm
LENGTH	38mm	WIDTH	31mm



CH-8363.PC

Side by Side Double Coat Hook Polished Chrome

CASE QTY	250	WEIGHT/CASE	26 lbs
BOX QTY	25	PROJECTION	30mm
LENGTH	32mm	WIDTH	56mm



CH-81160.BK

Vertical Double Coat Hook Matte Black

CASE QTY	250	WEIGHT/CASE	26 lbs
BOX QTY	25	PROJECTION	30mm
LENGTH	32mm	WIDTH	56mm



CH-81160.PC

Vertical Double Coat Hook Polished Chrome

CASE QTY	250	WEIGHT/CASE	26 lbs
BOX QTY	25	PROJECTION	30mm
LENGTH	32mm	WIDTH	56mm



CW-TY30.BP

Tie & Belt Hook Brass Plated; 22mmx35mm

CASE QTY	2,000	WEIGHT/CASE	39 lbs
BOX QTY	BULK	PROJECTION	35mm
LENGTH	22mm	WIDTH	4mm

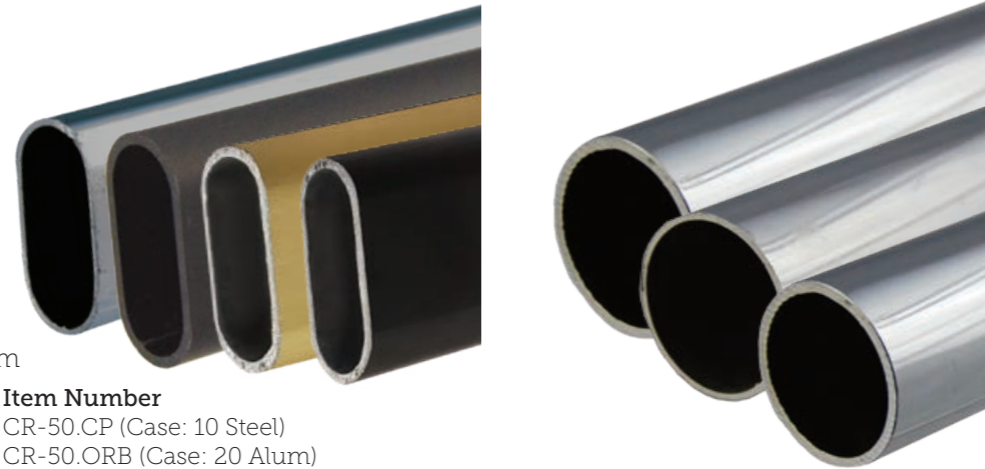


CW-TY30.CP

Tie & Belt Hook Chrome Plated; 22mmx35mm

CASE QTY	2,000	WEIGHT/CASE	29 lbs
BOX QTY	BULK	PROJECTION	35mm
LENGTH	22mm	WIDTH	4mm





CR-50
Closet Rod 8 Ft Oval
30mm x 15mm x 1.0mm

Available Colors
Chrome Plated
Oil Rubbed Bronze

Item Number
CR-50.CP (Case: 10 Steel)
CR-50.ORB (Case: 20 Alum)

CR-51.CP
Closet Rod 12 Ft Oval
30mm x 15mm x 1.0mm Steel Chrome Plated

Available Colors
Chrome Plated

Item Number
CR-51.CP (Case: 10)

CR-52
Closet Rod 8 Ft Oval
30mm x 15mm x 1.5mm Aluminum

Available Colors
Matte Black
Satin Brass

Item Number
CR-52.BK (Case: 20)
CR-52.SB (Case: 20)

CR-75.CP
Closet Rod 6 Ft Round
1-1/16 Dia x 1.2mm Steel Chrome Plated

Available Colors
Chrome Plated

Item Number
CR-75.CP (Case: 10)

CR-70.CP
Closet Rod 8 Ft Round
1-1/16 Dia x 1.2mm Steel Chrome Plated

Available Colors
Chrome Plated

Item Number
CR-70.CP (Case: 10)

CR-77.CP
Closet Rod 10 Ft Round
1-1/16 Dia x 1.2mm Steel Chrome Plated

Available Colors
Chrome Plated

Item Number
CR-77.CP (Case: 10)

CR-72.CP
Closet Rod 12 Ft Round
1-1/16 Dia x 1.2mm Steel Chrome Plated

Available Colors
Chrome Plated

Item Number
CR-72.CP (Case: 10)

CR-71.CP
Closet Rod 8 Ft Round Heavy Duty
1-1/16 Dia x 2.0mm Steel Chrome Plated

Available Colors
Chrome Plated

Item Number
CR-71.CP (Case: 5)

CR-73.CP
Closet Rod 12 Ft Round Heavy Duty
1-1/16 Dia x 2.0mm Steel Chrome Plated

Available Colors
Chrome Plated

Item Number
CR-73.CP (Case: 5)

CR-60.CP
Closet Rod 8 Ft Round
1-1/4 Dia x 1.2mm Steel Chrome Plated

Available Colors
Chrome Plated

Item Number
CR-60.CP (Case: 10)

CR-62.CP
Closet Rod 12 Ft Round
1-1/4 Dia x 1.2mm Steel Chrome Plated

Available Colors
Chrome Plated

Item Number
CR-62.CP (Case: 10)

CR-80
Closet Rod 8 Ft Round Heavy Duty
1-5/16 Dia x 2.0mm

Available Colors
Chrome Plated
Oil Rubbed Bronze

Item Number
CR-80.CP (Case: 5 Steel)
CR-80.ORB (Case: 20 Alum)

CR-81.CP
Closet Rod 12 Ft Round Heavy Duty
1-5/16 Dia x 2.0mm Steel Chrome Plated

Available Colors
Chrome Plated

Item Number
CR-81.CP (Case: 5)



CRCS-58
Closet Rod Oval Center Support

Available Colors
Oil Rubbed Bronze
Matte Black
Chrome Plated
Satin Brass
Satin Nickel

Item Number
CRCS-58.ORB Box: 50
CRCS-58.BK Box: 50
CRCS-58.CP Box: 50
CRCS-58.SB Box: 50
CRCS-58.SN Box: 50



CRCS-68.CP
Closet Rod 1-1/4 Round Center Support

Available Colors
Chrome Plated

Item Number
CRCS-68.CP Box: 20



CRS-54
Closet Rod Oval Socket Screw On

Available Colors
Oil Rubbed Bronze
Matte Black
Chrome Plated
Satin Brass

Item Number
CRS-54.ORB Box: 100
CRS-54.BK Box: 100
CRS-54.CP Box: 100
CRS-54.SB Box: 100



CRS-56
Closet Rod Oval Socket w/ 5mm Pins

Available Colors
Oil Rubbed Bronze
Matte Black
Chrome Plated
Satin Brass

Item Number
CRS-56.ORB Box: 100
CRS-56.BK Box: 100
CRS-56.CP Box: 100
CRS-56.SB Box: 100



CRS-64.CP
Closet Rod 1-1/4 Round Socket Open End

Available Colors
Chrome Plated

Item Number
CRS-64.CP Box: 50



CRS-66.CP
Closet Rod 1-1/4 Round Socket Closed

Available Colors
Chrome Plated

Item Number
CRS-66.CP Box: 50

FOR
1-1/16
Dia



CRS-74.CP
Closet Rod 1-1/16 Round Socket Open End
Available Colors Chrome Plated
Item Number CRS-74.CP Box: 500

FOR
1-1/16
Dia



CRS-76.CP
Closet Rod 1-1/16 Round Socket Closed
Available Colors Chrome Plated
Item Number CRS-76.CP Box: 50

FOR
1-5/16
Dia



CRS-84
Closet Rod 1-5/16 Round Socket Open End
Available Colors Oil Rubbed Bronze, Chrome Plated
Item Number CRS-84.ORB Box: 20, CRS-84.CP Box: 20

FOR
1-5/16
Dia



CRS-85
Closet Rod 1-5/16 Round Socket Closed
Available Colors Oil Rubbed Bronze, Chrome Plated
Item Number CRS-85.ORB Box: 20, CRS-85.CP Box: 20

FOR
1-1/16
Dia



CRCS-78.CP
Closet Rod 1-1/16 Round Center Support
Available Colors Chrome Plated
Item Number CRCS-78.CP Box: 25

FOR
1-5/16
Dia



CRCS-88
Closet Rod 1-5/16 Round Center Support
Available Colors Chrome Plated, Oil Rubbed Bronze
Item Number CRCS-88.CP Box: 25, CRCS-88.ORB Box: 25

FOR
1-5/16
Dia



CRS-86
Closet Rod 1-5/16 Round Socket w/ 5mm Pins Open End
Available Colors Oil Rubbed Bronze, Chrome Plated
Item Number CRS-86.ORB Box: 500, CRS-86.CP Box: 500

FOR
1-5/16
Dia



CRS-87
Closet Rod 1-5/16 Round Socket w/ 5mm Pins Closed
Available Colors Oil Rubbed Bronze, Chrome Plated
Item Number CRS-87.ORB Box: 500, CRS-87.CP Box: 50





PRIDE INDUSTRIAL
 DECORATIVE HARDWARE
 FUNCTIONAL HARDWARE
 & MORE

DECORATIVE WOOD



CORBEL-KL-
 Craftsman Corbel
 13.75 x 8 x 5

Species	Item Number
Alder	CORBEL-KL-AL
Maple	CORBEL-KL-MP
Rubberwood	CORBEL-KL-RW

CORBEL-K-
 Craftsman Corbel
 10 x 7 x 3.5

Species	Item Number
Alder	CORBEL-K-AL
Maple	CORBEL-K-MP
Rubberwood	CORBEL-K-RW



CORBEL-A-15-
 Contemp Corbel
 10.1 x 3.75 x 5.375

Species	Item Number
Alder	CORBEL-A-15-AL
Maple	CORBEL-A-15-MP
Rubberwood	CORBEL-A-15-RW

CORBEL-M-13-
 Shaker Corbel
 9 x 4.1 x 3.15

Species	Item Number
Alder	CORBEL-M-13-AL
Maple	CORBEL-M-13-MP
Rubberwood	CORBEL-M-13-RW

CORBEL-M-14-
 Shaker Corbel
 14 x 6.375 x 4.9

Species	Item Number
Alder	CORBEL-M-14-AL
Maple	CORBEL-M-14-MP
Rubberwood	CORBEL-M-14-RW



PRIDE INDUSTRIAL
 DECORATIVE HARDWARE
 FUNCTIONAL HARDWARE
 & MORE

DECORATIVE WOOD



POST-K-
 Square Fluted Post
 35.25 x 3.5 x 3.5

Species	Item Number
Alder	POST-K-AL
Maple	POST-K-MP
Rubberwood	POST-K-RW

POST-K-5X42-
 Square Fluted Post
 42 x 5 x 5

Species	Item Number
Alder	POST-K-5X42-AL
Maple	POST-K-5X42-MP
Rubberwood	POST-K-5X42-RW

POST-X-
 Shaker Post
 35.25 x 3.5 x 3.5

Species	Item Number
Alder	POST-X-AL
Maple	POST-X-MP
Rubberwood	POST-X-RW



PRIDE INDUSTRIAL
 DECORATIVE HARDWARE
 FUNCTIONAL HARDWARE
 & MORE

DECORATIVE WOOD



POST-X-5X42-
 Shaker Post
 42 x 5 x 5

Species	Item Number
Alder	POST-X-5X42-AL
Maple	POST-X-5X42-MP
Rubberwood	POST-X-5X42-RW

POST-S-
 Square Post
 35.25 x 3.5 x 3.5

Species	Item Number
Alder	POST-S-AL
Maple	POST-S-MP
Rubberwood	POST-S-RW

POST-S-5X42-
 Square Post
 42 x 5 x 5

Species	Item Number
Alder	POST-S-5X42-AL
Maple	POST-S-5X42-MP
Rubberwood	POST-S-5X42-RW



PRIDE INDUSTRIAL
 DECORATIVE HARDWARE
 FUNCTIONAL HARDWARE
 & MORE

DECORATIVE WOOD



POST-A-H-
 Turned Half Post
 1-3/4 x 3-1/2 x 35-1/4

Species	Item Number
Alder	POST-A-H-AL
Maple	POST-A-H-MP
Rubberwood	POST-A-H-RW

POST-B-H-
 Reed Half Post
 1-3/4 x 3-1/2 x 35-1/4

Species	Item Number
Alder	POST-B-H-AL
Maple	POST-B-H-MP
Rubberwood	POST-B-H-RW

POST-C-H-
 Rope Half Post
 1-3/4 x 3-1/2 x 35-1/4

Species	Item Number
Alder	POST-C-H-AL
Maple	POST-C-H-MP
Red Oak	POST-C-H-RO
Rubberwood	POST-C-H-RW



POST-D-H-
 Tapered Fluted Half Post
 3-3/4 x 1-7/8 x 35-1/4

Species	Item Number
Alder	POST-D-H-AL
Cherry	POST-D-H-CH
Maple	POST-D-H-MP
Rubberwood	POST-D-H-RW

POST-E-H-
 Turned Half Post
 3-3/4 x 1-7/8 x 35-1/4

Species	Item Number
Rubberwood	POST-E-H-RW

POST-G-H-
 Tuscan Half Post
 3-1/2 x 1-3/4 x 35-1/4

Species	Item Number
Alder	POST-G-H-AL
Maple	POST-G-H-MP
Red Oak	POST-G-H-RO
Rubberwood	POST-G-H-RW



POST COLLECTION



POST-M-H-
 Mission Half Post
 3-1/2 x 1-3/4 x 35-1/4

Species	Item Number
Alder	POST-M-H-AL
Maple	POST-M-H-MP
Red Oak	POST-M-H-RO
Rubberwood	POST-M-H-RW



POST-A-
 Turned Post
 3-1/2 x 3-1/2 x 35-1/4

Species	Item Number
Alder	POST-A-AL
Maple	POST-A-MP
Red Oak	POST-A-RO
Rubberwood	POST-A-RW

Also available in 3-1/2" x 3-1/2" x 42"
 POST-A-42-(SPECIES)
 AL, MP, RW



POST-E-
 Turned Post
 3-3/4 x 3-3/4 x 35-1/4

Species	Item Number
Alder	POST-E-AL
Maple	POST-E-MP
Red Oak	POST-E-RO
Rubberwood	POST-E-RW

Also available in 3-1/2" x 3-1/2" x 42"
 POST-E-42-AL (Alder)



POST-G-
 Tuscan Post
 3-1/2 x 3-1/2 x 35-1/4

Species	Item Number
Alder	POST-G-AL
Maple	POST-G-MP
Red Oak	POST-G-RO
Rubberwood	POST-G-RW

Also available in 3-1/2" x 3-1/2" x 42"
 POST-G-42-AL (Alder)



POST-B-
 Reed Post
 3-1/2 x 3-1/2 x 35-1/4

Species	Item Number
Alder	POST-B-AL
Cherry	POST-B-CH
Maple	POST-B-MP
Red Oak	POST-B-RO
Rubberwood	POST-B-RW

Also available in 3-1/2" x 3-1/2" x 42"
 POST-B-42-(SPECIES)
 CH, RO, RW



POST-C-
 Rope Post
 3-1/2 x 3-1/2 x 35-1/4

Species	Item Number
Alder	POST-C-AL
Maple	POST-C-MP
Rubberwood	POST-C-RW

Also available in 3-1/2" x 3-1/2" x 42"
 POST-C-42-(SPECIES)
 MP, RO, RW



POST-D-
 Tapered Fluted Post
 3-3/4 x 3-3/4 x 35-1/4

Species	Item Number
Alder	POST-D-AL
Maple	POST-D-MP
Rubberwood	POST-D-RW

Also available in 3-1/2" x 3-1/2" x 42"
 POST-D-42-(Species)
 MP, RW



POST-J-
 Turned Post
 3-3/4 x 3-3/4 x 34-1/2

Species	Item Number
Rubberwood	POST-J-RW



POST-M-
 Mission Post
 3-1/2 x 3-1/2 x 35-1/4

Species	Item Number
Alder	POST-M-AL
Maple	POST-M-MP
Rubberwood	POST-M-RW

Also available in 3-1/2" x 3-1/2" x 42"
 POST-M-42-(Species)
 AL, RW



POST-T-
 Modern Timeless Post
 3-1/2" x 3-1/2" x 35-1/2"

Species	Item Number
Alder	POST-T-AL
Maple	POST-T-MP
Rubberwood	POST-T-RW



PRIDE INDUSTRIAL
 DECORATIVE HARDWARE
 FUNCTIONAL HARDWARE
 & MORE

POST COLLECTION



PRIDE INDUSTRIAL
 DECORATIVE HARDWARE
 FUNCTIONAL HARDWARE
 & MORE

DECORATIVE WOOD



POST-A-5X36-
 Turned Post
 5 x 5 x 36

Species	Item Number
Alder	POST-A-5X36-AL
Maple	POST-A-5X36-MP
Red Oak	POST-A-5X36-RO
Rubberwood	POST-A-5X36-RW

POST-B-5X36-
 Reed Post
 5 x 5 x 36

Species	Item Number
Alder	POST-B-5X36-AL
Maple	POST-B-5X36-MP
Rubberwood	POST-B-5X36-RW

POST-C-5X36-
 Rope Post
 5 x 5 x 36

Species	Item Number
Alder	POST-C-5X36-AL
Maple	POST-C-5X36-MP
Red Oak	POST-C-5X36-RO
Rubberwood	POST-C-5X36-RW

POST-A-5X42-
 Turned Post
 5 x 5 x 42

Species	Item Number
Alder	POST-A-5X42-AL
Red Oak	POST-A-5X42-RO
Rubberwood	POST-A-5X42-RW

POST-C-5X42-
 Rope Post
 5 x 5 x 42

Species	Item Number
Maple	POST-C-5X42-MP



POST-F-5X36-
 Acanthus Post
 5 x 5 x 36

Species	Item Number
Alder	POST-F-5X36-AL
Maple	POST-F-5X36-MP
Red Oak	POST-F-5X36-RO
Rubberwood	POST-F-5X36-RW

POST-G-5X36-
 Tuscan Post
 5 x 5 x 36

Species	Item Number
Alder	POST-G-5X36-AL
Red Oak	POST-G-5X36-RO
Rubberwood	POST-G-5X36-RW

POST-M-5X36-
 Mission Post
 5 x 5 x 36

Species	Item Number
Alder	POST-M-5X36-AL
Maple	POST-M-5X36-MP
Rubberwood	POST-M-5X36-RW

POST-G-5X42-
 Tuscan Post
 5 x 5 x 42

Species	Item Number
Alder	POST-G-5X42-AL
Maple	POST-G-5X42-MP
Red Oak	POST-G-5X42-RO
Rubberwood	POST-G-5X42-RW

POST-M-5X42-
 Mission Post
 5 x 5 x 42

Species	Item Number
Alder	POST-M-5X42-AL
Maple	POST-M-5X42-MP
Red Oak	POST-M-5X42-RO
Rubberwood	POST-M-5X42-RW



PRIDE INDUSTRIAL
 DECORATIVE HARDWARE
 FUNCTIONAL HARDWARE
 & MORE

CORBEL COLLECTION
 & BAR BRACKETS



PRIDE INDUSTRIAL
 DECORATIVE HARDWARE
 FUNCTIONAL HARDWARE
 & MORE

DECORATIVE WOOD



CORBEL-M-5-
 Small Mission Corbel
 4-1/2 x 5 x 10

Species	Item Number
Alder	CORBEL-M-5-AL
Maple	CORBEL-M-5-MP
Red Oak	CORBEL-M-5-RO
Rubberwood	CORBEL-M-5-RW

CORBEL-M-6-
 Medium Mission Corbel
 5-1/4 x 7 x 14

Species	Item Number
Alder	CORBEL-M-6-AL
Maple	CORBEL-M-6-MP
Rubberwood	CORBEL-M-6-RW

CORBEL-M-7-
 Large Mission Corbel
 6-3/4 x 7-3/4 x 22

Species	Item Number
Alder	CORBEL-M-7-AL
Maple	CORBEL-M-7-MP
Rubberwood	CORBEL-M-7-RW

CORBEL-M-10-
 Small Modern Corbel
 4 x 5 x 10

Species	Item Number
Alder	CORBEL-M-10-AL
Maple	CORBEL-M-10-MP
Rubberwood	CORBEL-M-10-RW

CORBEL-M-11-
 Medium Modern Corbel
 5 x 6-1/2 x 14

Species	Item Number
Alder	CORBEL-M-11-AL
Maple	CORBEL-M-11-MP
Rubberwood	CORBEL-M-11-RW



CORBEL-T-1-
 Small Traditional Corbel
 4-1/2 x 5-1/4 x 10

Species	Item Number
Alder	CORBEL-T-1-AL
Maple	CORBEL-T-1-MP
Red Oak	CORBEL-T-1-RO
Rubberwood	CORBEL-T-1-RW

CORBEL-T-2-
 Medium Traditional Corbel
 5 x 7 x 14

Species	Item Number
Alder	CORBEL-T-2-AL
Cherry	CORBEL-T-2-CH
Maple	CORBEL-T-2-MP
Red Oak	CORBEL-T-2-RO
Rubberwood	CORBEL-T-2-RW

CORBEL-T-3-
 Large Traditional Corbel
 6-3/4 x 7-1/2 x 22

Species	Item Number
Alder	CORBEL-T-3-AL
Maple	CORBEL-T-3-MP
Rubberwood	CORBEL-T-3-RW

CORBEL-M-1-
 Small Mission Corbel
 2 x 5 x 8

Species	Item Number
Alder	CORBEL-M-1-AL
Maple	CORBEL-M-1-MP
Rubberwood	CORBEL-M-1-RW

CORBEL-M-2-
 Medium Mission Corbel
 3 x 9 x 12

Species	Item Number
Alder	CORBEL-M-2-AL
Cherry	CORBEL-M-2-CH
Maple	CORBEL-M-2-MP
Red Oak	CORBEL-M-2-RO
Rubberwood	CORBEL-M-2-RW

CORBEL-M-4-
 Narrow Mission Corbel
 2-1/2 x 6-1/2 x 12

Species	Item Number
Alder	CORBEL-M-4-AL
Maple	CORBEL-M-4-MP
Rubberwood	CORBEL-M-4-RW



PRIDE INDUSTRIAL
 DECORATIVE HARDWARE
 FUNCTIONAL HARDWARE
 & MORE

**CORBEL COLLECTION
 & BAR BRACKETS**



PRIDE INDUSTRIAL
 DECORATIVE HARDWARE
 FUNCTIONAL HARDWARE
 & MORE

DECORATIVE WOOD



CORBEL-B-
 Classic Corbel "B"
 1-3/4 x 8-3/8 x 10-7/8

Species	Item Number
Alder	CORBEL-B-AL
Rubberwood	CORBEL-B-RW



CORBEL-C-
 Tuscan Corbel "C"
 1-3/4 x 8-3/8 x 10-3/4

Species	Item Number
Alder	CORBEL-C-AL
Maple	CORBEL-C-MP
Rubberwood	CORBEL-C-RW



CORBEL-M-8-
 Modern Deco Bar Bracket
 2-3/4 x 8-11/16 x 12-5/8

Species	Item Number
Alder	CORBEL-M-8-AL
Maple	CORBEL-M-8-MP
Rubberwood	CORBEL-M-8-RW



CORBEL-M-9-
 Modern Leaf Bar Bracket
 2-3/4 x 8-11/16 x 12-5/8

Species	Item Number
Alder	CORBEL-M-9-AL
Maple	CORBEL-M-9-MP
Rubberwood	CORBEL-M-9-RW



CORBEL-D-
 Euro Bar Bracket
 1-1/4 x 8 x 12

Species	Item Number
Alder	CORBEL-D-AL
Maple	CORBEL-D-MP
Rubberwood	CORBEL-D-RW



CORBEL-E-
 Contour Bar Bracket
 1-1/4 x 8 x 12

Species	Item Number
Rubberwood	CORBEL-E-RW



CORBEL-T-7-
 Small Modern Craft Corbel
 1-3/4 x 5 x 7

Species	Item Number
Alder	CORBEL-T-7-AL
Maple	CORBEL-T-7-MP
Rubberwood	CORBEL-T-7-RW



CORBEL-T-8-
 Medium Modern Craft
 1-3/4 x 7-1/4 x 9-1/4

Species	Item Number
Alder	CORBEL-T-8-AL
Maple	CORBEL-T-8-MP
Red Oak	CORBEL-T-8-RO
Rubberwood	CORBEL-T-8-RW



CORBEL COLLECTION



TBS-
 Transition Block Short
 2-3/4 x 1-7/8 x 6

Species	Item Number
Alder	TBS-AL
Maple	TBS-MP
Red Oak	TBS-RO
Rubberwood	TBS-RW



TBT-
 Transition Block Tall
 2-7/8 x 1-7/8 x 9-7/8

Species	Item Number
Alder	TBT-AL
Maple	TBT-MP
Red Oak	TBT-RO
Rubberwood	TBT-RW



CORBEL-T-4-
 Traditional Bar Bracket
 3-3/8 x 7-3/4 x 13

Species	Item Number
Alder	CORBEL-T-4-AL
Cherry	CORBEL-T-4-CH
Maple	CORBEL-T-4-MP
Rubberwood	CORBEL-T-4-RW



CORBEL-A-3-
 Large Acanthus Corbel
 6-3/4 x 7-3/4 x 22

Species	Item Number
Rubberwood	CORBEL-A-3-RW



CORBEL-A-4-
 Acanthus Bar Bracket
 3-1/2 x 7-3/4 x 13

Species	Item Number
Alder	CORBEL-A-4-AL
Maple	CORBEL-A-4-MP
Rubberwood	CORBEL-A-4-RW



CORBEL-G-5-
 Narrow Grape Corbel
 3 x 9 x 12

Species	Item Number
Rubberwood	CORBEL-G-5-RW



CORBEL-A-2-
 Medium Acanthus Corbel
 5 x 7 x 14

Species	Item Number
Alder	CORBEL-A-2-AL
Maple	CORBEL-A-2-MP
Rubberwood	CORBEL-A-2-RW



CORBEL-A-1-
 Small Acanthus Corbel
 4-5/8 x 5-1/4 x 10

Species	Item Number
Alder	CORBEL-A-1-AL
Maple	CORBEL-A-1-MP
Rubberwood	CORBEL-A-1-RW



PRIDE INDUSTRIAL
 DECORATIVE HARDWARE
 FUNCTIONAL HARDWARE
 & MORE

CORBEL COLLECTION



PRIDE INDUSTRIAL
 DECORATIVE HARDWARE
 FUNCTIONAL HARDWARE
 & MORE

DECORATIVE WOOD



CORBEL-BW-1-
 Basket Weave Corbel
 4-1/2 x 5 x 10

Species	Item Number
Rubberwood	CORBEL-BW-1-RW



CORBEL-BW-5-
 Basket Weave Corbel
 3 x 3-1/2 x 13

Species	Item Number
Rubberwood	CORBEL-BW-5-RW



CORBEL-A-9-
 Low Profile Acanthus Corbel
 2-3/4 x 1-1/2 x 4-1/2

Species	Item Number
Alder	CORBEL-A-9-AL
Maple	CORBEL-A-9-MP
Rubberwood	CORBEL-A-9-RW



CORBEL-A-10-
 Low Profile Acanthus Corbel
 3-1/2 x 1-1/4 x 5-1/2

Species	Item Number
Alder	CORBEL-A-10-AL
Maple	CORBEL-A-10-MP
Rubberwood	CORBEL-A-10-RW



CORBEL-A-11-
 Low Profile Acanthus Corbel
 4-1/2 x 2 x 7

Species	Item Number
Rubberwood	CORBEL-A-11-RW



CORBEL-A-5-
 Low Profile Acanthus Corbel
 2-3/4 x 1-3/8 x 6

Species	Item Number
Alder	CORBEL-A-5-AL
Maple	CORBEL-A-5-MP
Rubberwood	CORBEL-A-5-RW



CORBEL-A-6-
 Low Profile Acanthus Corbel
 3-1/2 x 1-1/2 x 8

Species	Item Number
Alder	CORBEL-A-6-AL
Maple	CORBEL-A-6-MP
Rubberwood	CORBEL-A-6-RW



CORBEL-A-7-
 Low Profile Acanthus Corbel
 4-1/2 x 1-3/4 x 10

Species	Item Number
Alder	CORBEL-A-7-AL
Maple	CORBEL-A-7-MP
Rubberwood	CORBEL-A-7-RW



CORBEL-BW-4-
 Mini Basket Weave Corbel
 3 x 2 x 4-1/2

Species	Item Number
Rubberwood	CORBEL-BW-4-RW



CORBEL-T-5-
 Mini Traditional Corbel
 2-7/8 x 1-3/4 x 4-1/4

Species	Item Number
Alder	CORBEL-T-5-AL
Maple	CORBEL-T-5-MP
Rubberwood	CORBEL-T-5-RW



CORBEL-A-8-
 Mini Acanthus Corbel
 3 x 1-3/4 x 4-1/4

Species	Item Number
Alder	CORBEL-A-8-AL
Maple	CORBEL-A-8-MP
Rubberwood	CORBEL-A-8-RW



ONLAY COLLECTION



ONLAY-1-S-

Hand Carved Onlay
 20 x 4 x 3/4

Species	Item Number
Alder	ONLAY-1-S-AL
Cherry	ONLAY-1-S-CH
Maple	ONLAY-1-S-MP
Rubberwood	ONLAY-1-S-RW

ONLAY-2-S-

Hand Carved Onlay
 20 x 4-1/4 x 3/4

Species	Item Number
Alder	ONLAY-2-S-AL
Maple	ONLAY-2-S-MP
Red Oak	ONLAY-2-S-RO
Rubberwood	ONLAY-2-S-RW



ONLAY-1-M-

Hand Carved Onlay
 24 x 5 x 3/4

Species	Item Number
Alder	ONLAY-1-M-AL
Cherry	ONLAY-1-M-CH
Rubberwood	ONLAY-1-M-RW

ONLAY-2-M-

Hand Carved Onlay
 24 x 5 x 3/4

Species	Item Number
Maple	ONLAY-2-M-MP
Red Oak	ONLAY-2-M-RO
Rubberwood	ONLAY-2-M-RW



ONLAY-1-L-

Hand Carved Onlay
 36 x 7-1/2 x 7/8

Species	Item Number
Maple	ONLAY-1-L-MP
Red Oak	ONLAY-1-L-RO

ONLAY-2-L-

Hand Carved Onlay
 36 x 7-1/2 x 7/8

Species	Item Number
Maple	ONLAY-2-L-MP
Rubberwood	ONLAY-2-L-RW



ONLAY-3-S-

Hand Carved Onlay
 20 x 5 x 5/8

Species	Item Number
Maple	ONLAY-3-S-MP
Red Oak	ONLAY-3-S-RO
Rubberwood	ONLAY-3-S-RW





PRIDE INDUSTRIAL
 DECORATIVE HARDWARE
 FUNCTIONAL HARDWARE
 & MORE

**PEDESTAL COLLECTION
 & PINTH BLOCK**



PRIDE INDUSTRIAL
 DECORATIVE HARDWARE
 FUNCTIONAL HARDWARE
 & MORE

DECORATIVE WOOD



PED-C-
 Pedestal Foot Corner
 6-1/2 x 6-1/2 x 4

Species	Item Number
Alder	PED-C-AL
Maple	PED-C-MP
Red Oak	PED-C-RO
Rubberwood	PED-C-RW

R-8-
 Rosette
 3-3/4 x 3-3/4 x 1

Species	Item Number
Alder	R-8-AL
Maple	R-8-MP
Red Oak	R-8-RO
Rubberwood	R-8-RW

PB-9-
 Plinth Block
 3-3/4 x 7 x 1

Species	Item Number
Alder	PB-9-AL
Maple	PB-9-MP
Rubberwood	PB-9-RW



PED-2-L-
 Pedestal Foot Left
 8-1/4 x 4

Species	Item Number
Alder	PED-2-L-AL
Maple	PED-2-L-MP
Rubberwood	PED-2-L-RW

PED-2-M-
 Pedestal Foot Middle
 16 x 3

Species	Item Number
Alder	PED-2-M-AL
Maple	PED-2-M-MP
Rubberwood	PED-2-M-RW

PED-2-R-
 Pedestal Foot Right
 8-1/4 x 4

Species	Item Number
Alder	PED-2-R-AL
Maple	PED-2-R-MP
Rubberwood	PED-2-R-RW



PED-3-CR-
 Rounded Ped Foot Corner
 7 x 7 x 4

Species	Item Number
Alder	PED-3-CR-AL
Maple	PED-3-CR-MP
Red Oak	PED-3-CR-RO
Rubberwood	PED-3-CR-RW

PED-2-C-
 Pedestal Foot Corner
 8-1/4 x 8-1/4 x 4

Species	Item Number
Maple	PED-2-C-MP
Red Oak	PED-2-C-RO
Rubberwood	PED-2-C-RW

PED-CR-
 Rounded Pedestal Foot Corner
 7 x 7 x 4

Species	Item Number
Alder	PED-CR-AL
Maple	PED-CR-MP
Red Oak	PED-CR-RO
Rubberwood	PED-CR-RW



PED-L-
 Pedestal Foot Left
 6-1/8 x 4 x 2-1/2

Species	Item Number
Alder	PED-L-AL
Rubberwood	PED-L-RW

PED-M-
 Pedestal Foot Middle
 11-1/2 x 1-3/4

Species	Item Number
Alder	PED-M-AL
Cherry	PED-M-CH
Maple	PED-M-MP
Red Oak	PED-M-RO
Rubberwood	PED-M-RW

PED-R-
 Pedestal Foot Right
 6-1/8 x 4 x 2-1/2

Species	Item Number
Alder	PED-R-AL
Maple	PED-R-MP
Rubberwood	PED-R-RW



PED-3-L-
 Pedestal Foot Left
 6 x 4

Species	Item Number
Alder	PED-3-L-AL
Maple	PED-3-L-MP
Rubberwood	PED-3-L-RW

PED-3-M-
 Pedestal Foot Middle
 11-1/2 x 2

Species	Item Number
Alder	PED-3-M-AL
Maple	PED-3-M-MP
Rubberwood	PED-3-M-RW

PED-3-R-
 Pedestal Foot Right
 6 x 4

Species	Item Number
Alder	PED-3-R-AL
Cherry	PED-3-R-CH
Maple	PED-3-R-MP
Rubberwood	PED-3-R-RW



BUNN FOOT COLLECTION



BUNN-1-
 Bunn Foot
 5 x 3

Species	Item Number
Alder	BUNN-1-AL
Maple	BUNN-1-MP
Rubberwood	BUNN-1-RW



BUNN-2-
 Turned Bunn Foot
 4 x 4

Species	Item Number
Alder	BUNN-2-AL
Maple	BUNN-2-MP
Rubberwood	BUNN-2-RW



BUNN-3-
 Turned Bunn Foot
 4 x 6

Species	Item Number
Alder	BUNN-3-AL
Maple	BUNN-3-MP
Red Oak	BUNN-3-RO
Rubberwood	BUNN-3-RW



BUNN-8-
 Square Bunn Foot
 4 x 4 x 4

Species	Item Number
Alder	BUNN-8-AL
Maple	BUNN-8-MP
Rubberwood	BUNN-8-RW



LEG-1-
 Carved Leg
 3-1/2 x 3-1/2 x 5

Species	Item Number
Alder	LEG-1-AL
Maple	LEG-1-MP
Rubberwood	LEG-1-RW



BUNN-4-
 Crown Bunn Foot
 5 x 3

Species	Item Number
Alder	BUNN-4-AL
Rubberwood	BUNN-4-RW



BUNN-6-
 Square Bunn Foot
 3-7/8 x 3-7/8 x 4

Species	Item Number
Alder	BUNN-6-AL
Maple	BUNN-6-MP
Red Oak	BUNN-6-RO
Rubberwood	BUNN-6-RW



BUNN-7-
 Round Bunn Foot
 114mm x 103mm

Species	Item Number
Alder	BUNN-7-AL
Maple	BUNN-7-MP
Rubberwood	BUNN-7-RW



LEG-3-
 Ball & Claw Leg
 4-1/8 x 4-1/8 x 6

Species	Item Number
Alder	LEG-3-AL
Maple	LEG-3-MP
Red Oak	LEG-3-RO
Rubberwood	LEG-3-RW



LEG-4-
 Ball & Claw Leg
 4 x 4 x 8

Species	Item Number
Alder	LEG-4-AL
Rubberwood	LEG-4-RW

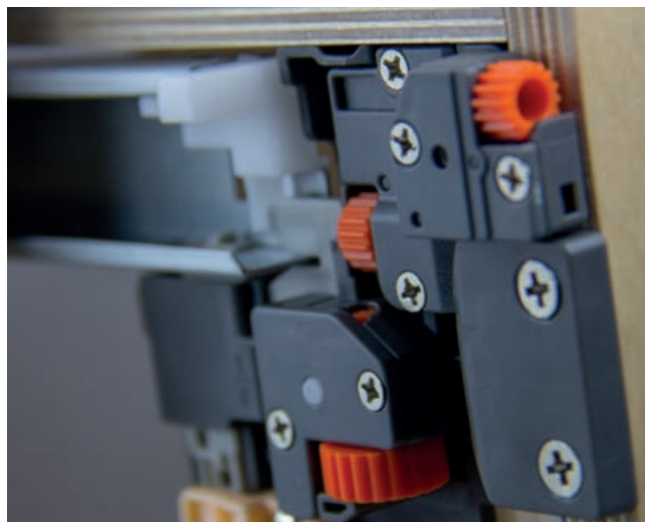


LEG-6-
 Queen Anne Leg
 4 x 4 x 6

Species	Item Number
Alder	LEG-6-AL
Rubberwood	LEG-6-RW



DRAWER SLIDES



PERFORM PRO 6X

SOFT-CLOSE UNDERMOUNT SLIDE

Soft Close Undermount Slide with 3-D Locking Device

- * 6-Way adjustable
- * Full Extension
- * Under Mounted
- * Lever Disconnect

- * Size: 9" ~ 21"
- * Load Capacity: 100 lbs
- * Material: Cold Rolled Steel
- * Case: 6 Pairs

- ITEM NUMBER**
- 8800-9-SOFT
 - 8800-12-SOFT
 - 8800-15-SOFT
 - 8800-18-SOFT
 - 8800-20-SOFT
 - 8800-21-SOFT
 - 8800-CLIPS (100 PAIRS)
 - 8000-BRKT (200 PCS)
 - 8100-BRKT (90 PAIRS)



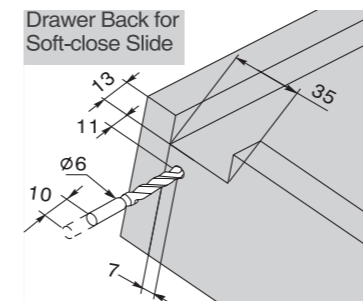
8000-BRKT



8100-BRKT

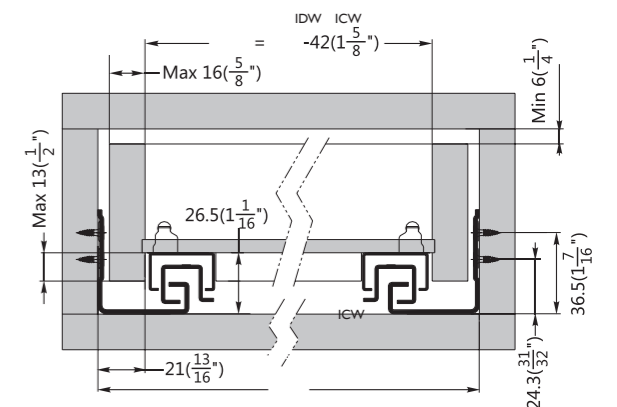


8800-CLIPS



Installation for drawers between 12.7mm-16mm thick drawer sides

IDW= Internal Drawer Width
ICW= Internal Cabinet Width



Drawer length	Runner length	Internal Cabinet Depth	
		Max	Min
(12")	317($12\frac{1}{2}$ "	369($14\frac{9}{16}$ "	326($12\frac{7}{8}$ "
(15")	394($15\frac{1}{2}$ "	446($17\frac{9}{16}$ "	403($15\frac{7}{8}$ "
(18")	470($18\frac{1}{2}$ "	522($20\frac{9}{16}$ "	479($18\frac{7}{8}$ "
(21")	546($21\frac{1}{2}$ "	598($23\frac{9}{16}$ "	555($21\frac{7}{8}$ "

Outside Drawer Width

Drawer side Thickness	5/8" (16mm)	1/2" (13mm)
Inside Cabinet Width Deduction	3/8" (10mm)	5/8" (16mm)

PERFORM PRO 2X

SOFT-CLOSE UNDERMOUNT SLIDE

Soft Close Concealed Undermount with height adjustment locking device

- * 2-Way adjustable
- * Full Extension
- * Under Mounted
- * Lever Disconnect

- * Size: 12" ~ 21"
- * Load Capacity: 90 lbs
- * Material: Cold Rolled Steel
- * Case: 6 Pairs

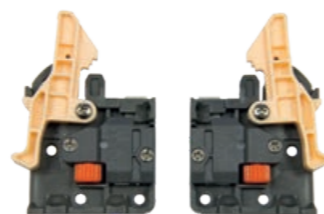
- ITEM NUMBER**
- 8000-12-SOFT
 - 8000-15-SOFT
 - 8000-18-SOFT
 - 8000-21-SOFT
 - 8000-CLIPS (100 PAIRS)
 - 8000-BRKT (200 PCS)
 - 8100-BRKT (90 PAIRS)



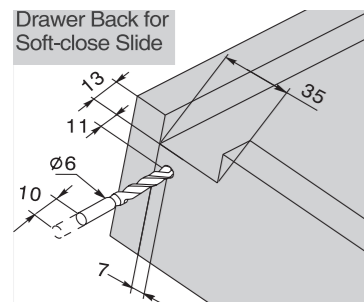
8000-BRKT



8100-BRKT

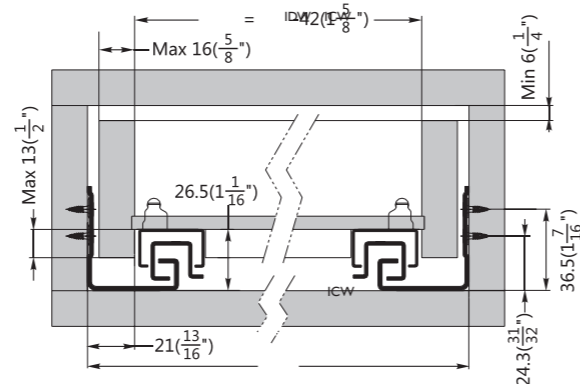


8000-CLIPS



Installation for drawers between 12.7mm-16mm thick drawer sides

IDW= Internal Drawer Width
ICW= Internal Cabinet Width



Outside Drawer Width

Drawer side Thickness	5/8" (16mm)	1/2" (13mm)
Inside Cabinet Width Deduction	3/8" (10mm)	5/8" (16mm)

Drawer length	Runner length	Internal Cabinet Depth	
		Max	Min
(12")	317(12 1/2")	369(14 9/16")	326(12 7/8")
(15")	394(15 1/2")	446(17 9/16")	403(15 7/8")
(18")	470(18 1/2")	522(20 9/16")	479(18 7/8")
(21")	546(21 1/2")	598(23 9/16")	555(21 7/8")

ADVANTAGE PRO

SOFT-CLOSE UNDERMOUNT SLIDE

Soft Close Undermount Slide with locking device and rear brackets

- * 2-Way adjustable
- * Rear metal bracket included
- * Under Mounted
- * Lever Disconnect

- * Size: 12" ~ 21"
- * Load Capacity: 75 lbs
- * Material: Cold Rolled Steel
- * Case: 6 Pairs

- ITEM NUMBER**
- 7800-12-SOFT
 - 7800-15-SOFT
 - 7800-18-SOFT
 - 7800-21-SOFT
 - 7800-CLIPS (100 PAIRS)
 - 7800-BRKT (200 PCS)
 - 7800-EUBRKT (200 PCS)



7800-CLIPS INCLUDED



7800-BRKT INCLUDED

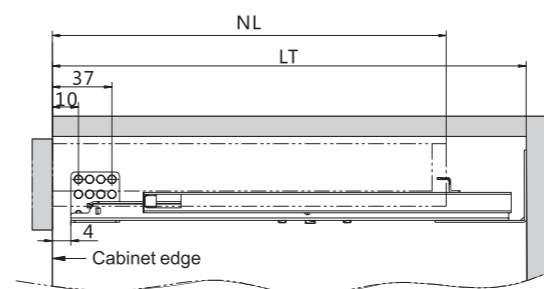


7800-EUBRKT OPTIONAL FRAMELESS APPLICATION REAR BRACKET

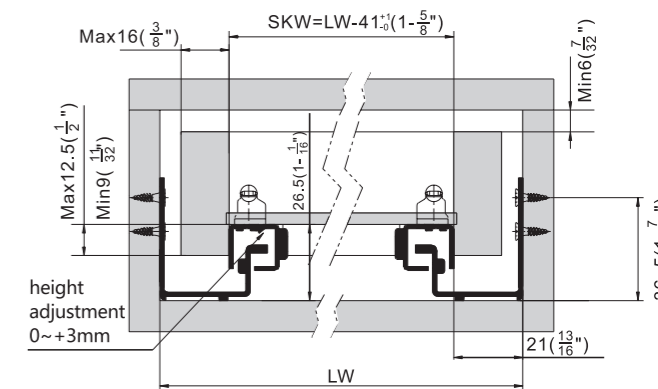
Outside Drawer Width

Drawer side Thickness	5/8" (16mm)	1/2" (13mm)
Inside Cabinet Width Deduction	3/8" (10mm)	5/8" (16mm)

NL= Nominal Slide Length LT= Internal cabinet Depth



SKW = Internal Drawer Width LW = Internal Cabinet Width



MEGA PRO

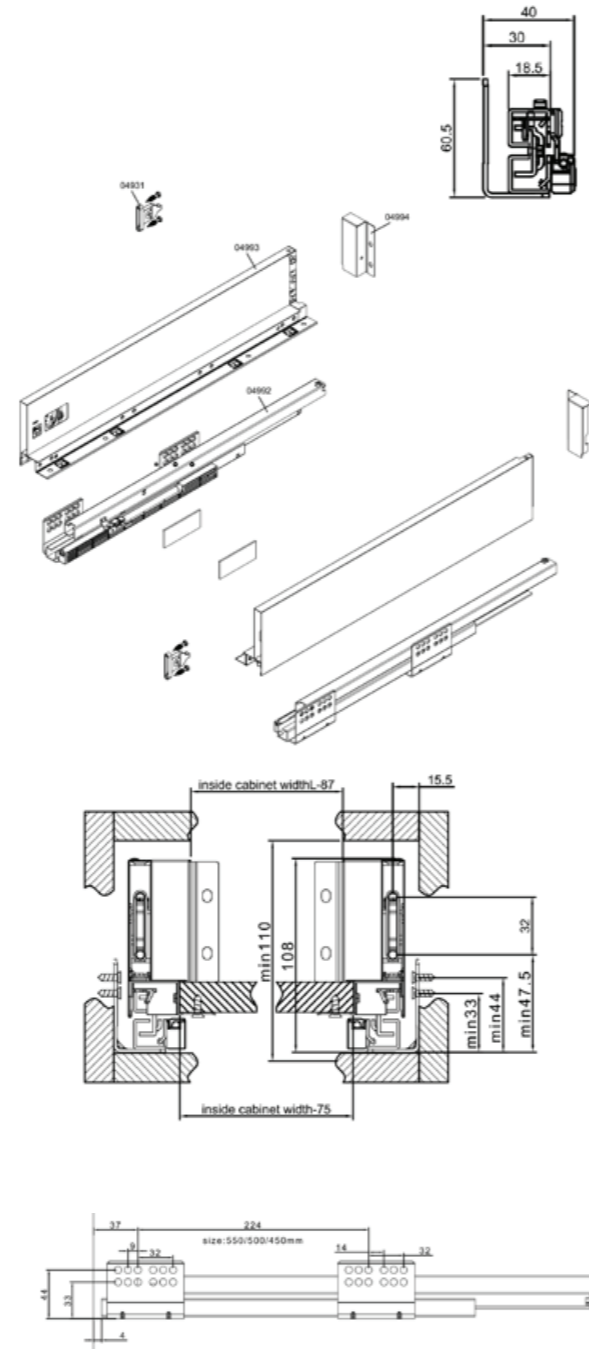
DOUBLE WALL DRAWER BOX SYSTEM

Double Wall Undermount Soft Close Slide

- * 2-Way adjustable
- * Full Extension
- * Under Mounted
- * Lever Disconnect
- * Size: 12" ~ 22"
- * Load Capacity: 100 lbs
- * Material: Cold Rolled Steel
- * Case: 5 Pairs

IN STOCK ITEMS (SPECIAL ORDER SIZES & COLORS ON PAGE 102)

ITEM NUMBER	SIZE	HEIGHT	COLOR
90-1888	450mm (18")	88mm	Grey
90-2088	500mm (20")	88mm	Grey
90-20203	500mm (20")	203mm	



SPECIAL ORDER ONLY ITEMS

ITEM NUMBER	SIZE	HEIGHT	COLOR
90-1288	300mm (12")	88mm	Grey
90-1288W	300mm (12")	88mm	White
90-1488	350mm (14")	88mm	Grey
90-1488W	350mm (14")	88mm	White
90-1688	400mm (16")	88mm	Grey
90-1688W	400mm (16")	88mm	White
90-1888W	450mm (18")	88mm	White
90-2088W	500mm (20")	88mm	White
90-2288	550mm (22")	88mm	Grey
90-2288W	550mm (22")	88mm	White

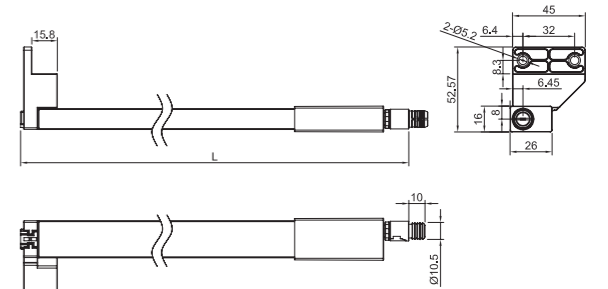
90-12120	300mm (12")	120mm	Grey
90-12120W	300mm (12")	120mm	White
90-14120	350mm (14")	120mm	Grey
90-14120W	350mm (14")	120mm	White
90-16120	400mm (16")	120mm	Grey
90-16120W	400mm (16")	120mm	White
90-18120	450mm (18")	120mm	Grey
90-18120W	450mm (18")	120mm	White
90-20120	500mm (20")	120mm	Grey
90-20120W	500mm (20")	120mm	White
90-22120	550mm (22")	120mm	Grey
90-22120W	550mm (22")	120mm	White

90-12171	300mm (12")	171mm	Grey
90-12171W	300mm (12")	171mm	White
90-14171	350mm (14")	171mm	Grey
90-14171W	350mm (14")	171mm	White
90-16171	400mm (16")	171mm	Grey
90-16171W	400mm (16")	171mm	White
90-18171	450mm (18")	171mm	Grey
90-18171W	450mm (18")	171mm	White
90-20171	500mm (20")	171mm	Grey
90-20171W	500mm (20")	171mm	White
90-22171	550mm (22")	171mm	Grey
90-22171W	550mm (22")	171mm	White

90-12203	300mm (12")	203mm	Grey
90-12203W	300mm (12")	203mm	White
90-14203	350mm (14")	203mm	Grey
90-14203W	350mm (14")	203mm	White
90-16203	400mm (16")	203mm	Grey
90-16203W	400mm (16")	203mm	White
90-18203	450mm (18")	203mm	Grey
90-18203W	450mm (18")	203mm	White
90-20203W	500mm (20")	203mm	White
90-22203	550mm (22")	203mm	Grey
90-22203W	550mm (22")	203mm	White

Gallery Rails

90-SIDERAIL12	300mm (12")	Special Order	Grey
90-SIDERAIL12W	300mm (12")	Special Order	White
90-SIDERAIL14	350mm (14")	Special Order	Grey
90-SIDERAIL14W	350mm (14")	Special Order	White
90-SIDERAIL16	400mm (16")	Special Order	Grey
90-SIDERAIL16W	400mm (16")	Special Order	White
90-SIDERAIL18	450mm (18")	Available in Stock	Grey
90-SIDERAIL18W	450mm (18")	Special Order	White
90-SIDERAIL20	500mm (20")	Available in Stock	Grey
90-SIDERAIL20W	500mm (20")	Special Order	White
90-SIDERAIL22	550mm (22")	Special Order	Grey
90-SIDERAIL22W	550mm (22")	Special Order	White



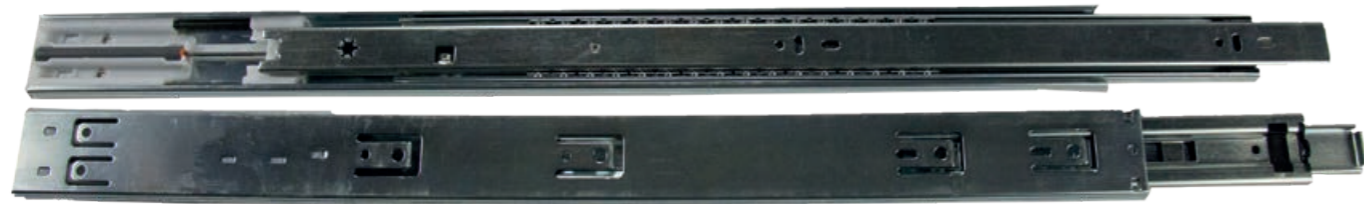
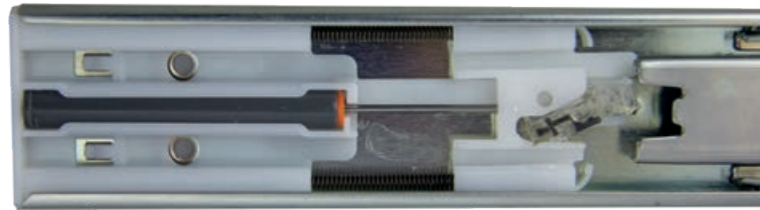


Soft Close Ballbearing Slide

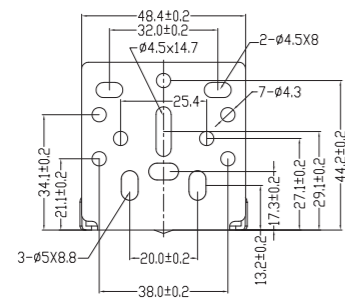
- * Full Extension
- * Side Mounted
- * 46mm Height
- * Soft Close
- * 12.7mm Side Clearance
- * Case: 10 Pairs
- * Finish: Zinc
- * Lever Disconnect
- * Size: 10" ~ 28"
- * Load Capacity: 100 lbs
- * Material: Cold Rolled Steel

ITEM NUMBER

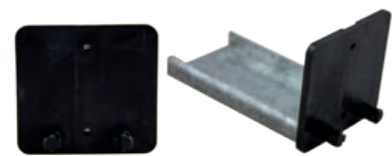
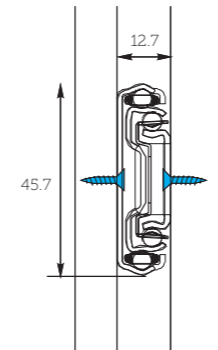
- 4903-10-ZP
- 4903-12-ZP
- 4903-14-ZP
- 4903-16-ZP
- 4903-18-ZP
- 4903-20-ZP
- 4903-22-ZP
- 4903-24-ZP
- 4903-26-ZP
- 4903-28-ZP
- 4903-BRKT (200 PCS)
- 4903-SKT (250 PAIRS)
- 4903-BRKTPI (100 PCS)
- 4903-BRKTSO (100 PCS)



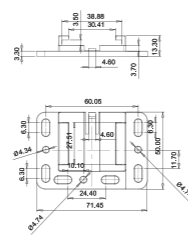
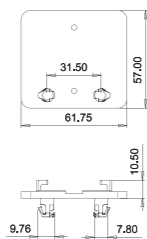
4903-BRKT



4903-SKT
Adjustable rear plastic socket



4903-BRKTPI
Plug In Rear Adjustable Socket



4903-BRKTSO
Screw On Rear Adjustable Socket

4600

STANDARD BALL BEARING SLIDE

- * Full Extension
- * Side Mounted
- * 46mm Height
- * Flat Sided Profile
- * 12.7mm Side Clearance
- * Case: 10 Pairs
- * Finish: Zinc or Black
- * Lever Disconnect
- * Size: 10" ~ 28"
- * Load Capacity: 100 lbs
- * Material: Cold Rolled Steel
- * OT = 1.5" Over Travel

ITEM NUMBER BK

- 4600-10-BK
- 4600-12-BK
- 4600-14-BK
- 4600-14-BKOT
- 4600-16-BK
- 4600-16-BKOT
- 4600-18-BK
- 4600-20-BK
- 4600-20-BKOT
- 4600-22-BK
- 4600-24-BK
- 4600-26-BK
- 4600-28-BK

ITEM NUMBER ZP

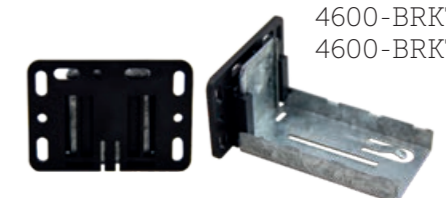
- 4600-10-ZPOT
- 4600-12-ZP
- 4600-12-ZPOT
- 4600-14-ZPOT
- 4600-16-ZPOT
- 4600-18-ZPOT
- 4600-20-ZPOT
- 4600-22-ZPOT
- 4600-24-ZPOT
- 4600-26-ZPOT
- 4600-28-ZPOT
- 4600-BRKT (100 PCS)
- 4600-BRKTPI (100 PCS)
- 4600-BRKTSO (100 PCS)



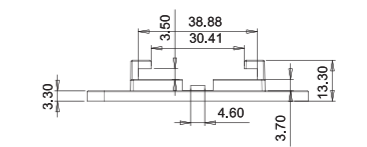
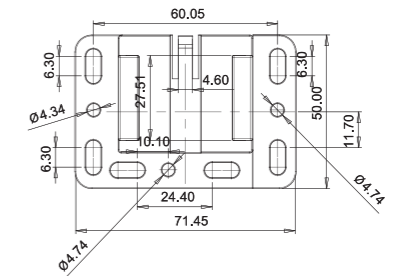
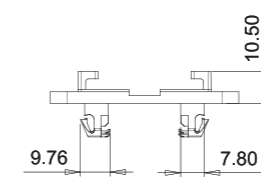
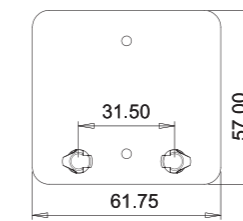
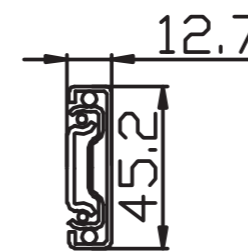
4600-BRKT



4600-BRKTPI
Plug In Rear Adjustable Socket



4600-BRKTSO
Screw On Rear Adjustable Socket



4800

STANDARD BALL BEARING SLIDE

- * Full Extension
- * Side Mounted
- * 46mm Height
- * Round Sided Profile
- * 12.7mm Side Clearance
- * Case: 10 Pairs

- * Finish: Zinc
- * Lever Disconnect
- * Size: 8" ~ 24"
- * Load Capacity: 100 lbs
- * Material: Cold Rolled Steel
- * OT = 1.5" Over Travel

- ITEM NUMBER**
- 4800-8-ZP
 - 4800-10-ZP
 - 4800-12-ZP
 - 4800-14-ZPOT
 - 4800-16-ZPOT
 - 4800-18-ZPOT
 - 4800-20-ZPOT
 - 4800-22-ZPOT
 - 4800-24-ZPOT
 - 4800-BRKT (100 PCS)
 - 4800-BRKTPI (100 PCS)
 - 4800-BRKTPI10 (100 PCS)
 - 4800-BRKTSO (100 PCS)

PRODUCTION PACK OPTIONS

- 4800-18-ZPOT-CM
- 4800-18-ZPOT-DM
- 4800-20-ZPOT-CM
- 4800-20-ZPOT-DM
- 4800-22-ZPOT-CM
- 4800-22-ZPOT-DM
- *40 pieces per case

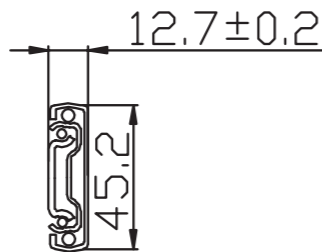


4800-BRKT

Optional Plastic Rear Socket



4903-SKT



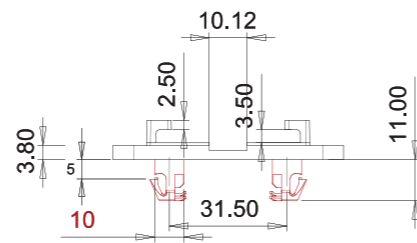
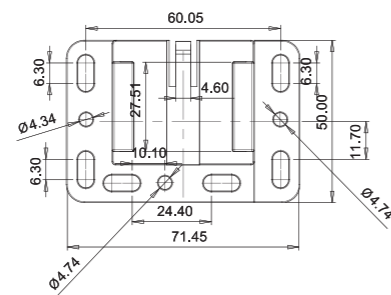
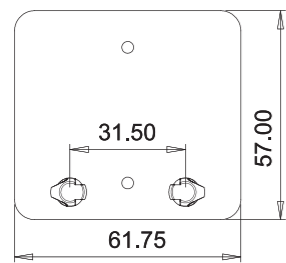
4800-BRKTPI
Plug In Rear Adjustable Socket



4800-BRKTSO
Screw On Rear Adjustable Socket



4800-BRKTPI10
Plug In Rear Adjustable
Socket for 4800 Slide
10mm Dowel



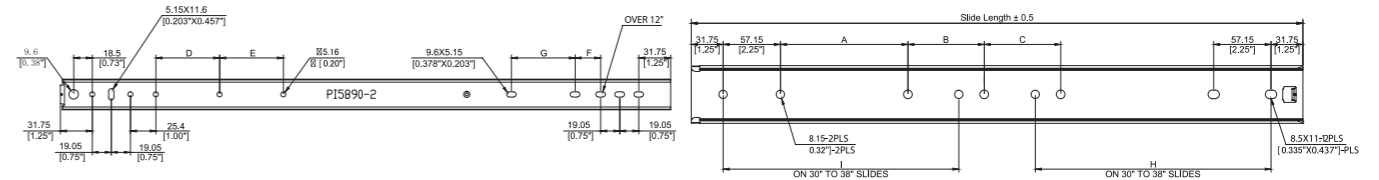
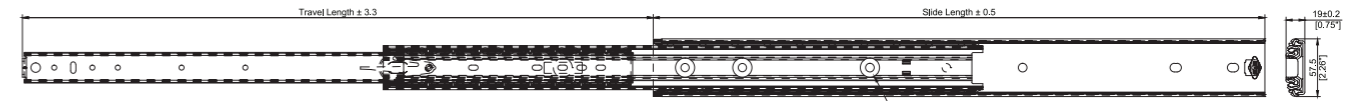
5890

HEAVY DUTY BALL BEARING SLIDE

- * Full Extension
- * Side Mounted
- * 58mm Height
- * Round Sided Profile
- * 19mm Side Clearance
- * Case: 5 Pairs

- * Finish: Zinc
- * Lever Disconnect
- * Size: 10" ~ 36"
- * Load Capacity: 250 lbs
- * Material: Cold Rolled Steel

- ITEM NUMBER**
- 5890-10-ZP
 - 5890-12-ZP-2
 - 5890-14-ZP-2
 - 5890-16-ZP-2
 - 5890-18-ZP-2
 - 5890-20-ZP-2
 - 5890-22-ZP-2
 - 5890-24-ZP-2
 - 5890-26-ZP-2
 - 5890-28-ZP-2
 - 5890-30-ZP-2
 - 5890-32-ZP-2
 - 5890-34-ZP-2
 - 5890-36-ZP-2



Part Number	Slide Length	Travel Length	A	B	C	D	E	F	G	H	I
PI5890-10"	254mm [10"]	254mm [10"]	-	-	-	-	-	-	-	-	-
PI5890-12"	304.8mm [12"]	323.85mm [12.75"]	-	-	-	-	-	-	-	-	-
PI5890-14"	355.6mm [14"]	374.65mm [14.75"]	-	-	-	-	-	-	-	-	-
PI5890-16"	406.4mm [16"]	425.45mm [16.75"]	-	-	-	63.5 [2.5"]	63.5 [2.5"]	25.4 [1"]	-	-	-
PI5890-18"	457.2mm [18"]	476.25mm [18.75"]	-	-	-	63.5 [2.5"]	63.5 [2.5"]	25.4 [1"]	63.5 [2.5"]	-	-
PI5890-20"	508mm [20"]	527.05mm [20.75"]	-	-	-	63.5 [2.5"]	63.5 [2.5"]	25.4 [1"]	63.5 [2.5"]	-	-
PI5890-22"	558.8mm [22"]	577.85mm [22.75"]	127 [5"]	76.2 [3"]	76.2 [3"]	63.5 [2.5"]	63.5 [2.5"]	25.4 [1"]	63.5 [2.5"]	-	-
PI5890-24"	609.6mm [24"]	628.85mm [24.75"]	127 [5"]	76.2 [3"]	76.2 [3"]	63.5 [2.5"]	63.5 [2.5"]	25.4 [1"]	63.5 [2.5"]	-	-
PI5890-26"	660.4mm [26"]	679.45mm [26.75"]	127 [5"]	76.2 [3"]	76.2 [3"]	63.5 [2.5"]	63.5 [2.5"]	25.4 [1"]	63.5 [2.5"]	-	-
PI5890-28"	711.2mm [28"]	730.25mm [28.75"]	127 [5"]	76.2 [3"]	76.2 [3"]	63.5 [2.5"]	63.5 [2.5"]	25.4 [1"]	63.5 [2.5"]	-	-
PI5890-30"	762mm [30"]	781.05mm [30.75"]	-	-	-	63.5 [2.5"]	63.5 [2.5"]	25.4 [1"]	63.5 [2.5"]	234.95 [9.25"]	234.95 [9.25"]
PI5890-32"	812.8mm [32"]	831.85mm [32.75"]	-	-	-	63.5 [2.5"]	63.5 [2.5"]	25.4 [1"]	63.5 [2.5"]	234.95 [9.25"]	234.95 [9.25"]
PI5890-34"	863.6mm [34"]	882.65mm [34.75"]	-	-	-	63.5 [2.5"]	63.5 [2.5"]	25.4 [1"]	63.5 [2.5"]	234.95 [9.25"]	234.95 [9.25"]
PI5890-36"	914.4mm [36"]	933.45mm [36.75"]	-	-	-	63.5 [2.5"]	63.5 [2.5"]	25.4 [1"]	63.5 [2.5"]	234.95 [9.25"]	234.95 [9.25"]



Model: # 5000 Progressive Ball Bearing Slide

- * Full Extension
- * Side Mounted
- * 12.7mm Side Clearance
- * Material: Cold Rolled Steel
- * Case: 10 Pairs
- * Finish: Zinc or Black
- * Lever Disconnect
- * Size: 12" ~ 28"
- * Load Capacity: 150 lbs
- * OT = 1.5" Over Travel

- ITEM NUMBER**
 5000-12-ZPOT
 5000-14-ZPOT
 5000-16-BKOT
 5000-16-ZPOT
 5000-18-BKOT
 5000-18-ZPOT
 5000-20-BKOT
 5000-20-ZPOT
 5000-22-ZPOT
 5000-24-ZPOT
 5000-26-ZPOT
 5000-28-ZPOT



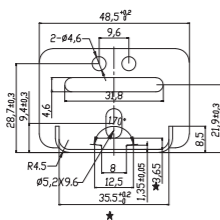
Model: # 1000 Center Mount Ball Bearing Slide

- * 3/4 Extension
- * Under Mount
- * 10mm Clearance
- * Material: Cold Rolled Steel
- * Case: 20 Pieces
- * Finish: Zinc
- * Friction Release
- * Size: 12" ~ 19"
- * Load Capacity: 35 lbs

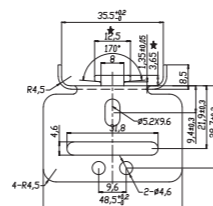
- ITEM NUMBER**
 1000-N12.ZP
 1000-N15.ZP
 1000-N17.ZP
 1000-N19.ZP
 1000-R-BRKT (200)
 1000-U-BRKT (200)



1000-U-BRKT
 Upward rear mounting bracket



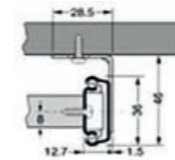
1000-R-BRKT
 Downward rear mounting bracket



Model: # 3400 Pencil Drawer Slide

- * Top Mount Fixed Brackets
- * Detent In
- * Lever Disconnect
- * Material: Cold Rolled Steel
- * Case: 10 Pairs
- * Finish: Zinc or Black
- * Size: 18"
- * Load Capacity: 60 lbs

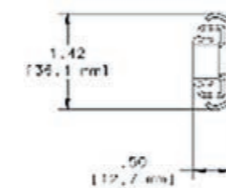
- ITEM NUMBER**
 3400-18-BK
 3400-18-ZP



Model: # 3500 Low Profile Ball Bearing Slide

- * Full Extension
- * Side Mounted
- * 35mm Height
- * Round Sided Profile
- * 12.7mm Side Clearance
- * Case: 10 Pairs
- * Finish: Zinc or Black
- * Lever Disconnect
- * Size: 12" ~ 24"
- * Load Capacity: 75 lbs
- * Material: Cold Rolled Steel
- * OT = 1." Over Travel

- ITEM NUMBER**
 3500-12-ZP
 3500-14-BK
 3500-14-ZP
 3500-16-ZP
 3500-16-ZPOT
 3500-18-ZP
 3500-20-ZP
 3500-20-ZPOT
 3500-22-ZP
 3500-24-ZP
 3500-BRKT (200 PCS)



3500-BRKT



Model: # 4000 Standard Euro Slide

- * 3/4 Extension
- * Double Stopper
- * One Side Captive
- * 32mm System
- * Material: Cold Rolled Steel

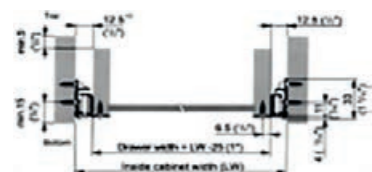
- * Finish: Epoxy Powder Coat
- * Size: 10" ~ 24"
- * Load Capacity: 75 lbs
- * Option - Soft Roller
- * Option - Rear Sockets

ITEM NUMBER

- 4000-10-1WT
- 4000-12-1WT
- 4000-14-1WT
- 4000-16-1WT
- 4000-18-1WT
- 4000-20-1WT
- 4000-22-1WT
- 4000-24-1WT

14" to 22" also available:

- 4000-(SIZE)-WT-CL
- 4000-(SIZE)-WT-CR
- 4000-(SIZE)-WT-DL
- 4000-(SIZE)-WT-DR



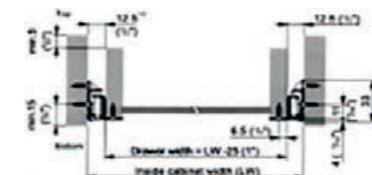
Packaging

Set Pack: 25 pairs
Bulk: 100 pieces
CL/CR/DL/DR

Model: # 4200 Crimp-On Euro Slide

- * 3/4 Extension
- * Double Stopper
- * One Side Captive
- * 32mm System
- * (CL:CR:DL:DR: 100 pieces per case)

- * Finish: Epoxy Powder Coat
- * Material: Cold Rolled Steel
- * Load Capacity: 75 lbs



- 20" **ITEM NUMBER**
- 4200-20-WT-CL Cabinet Left
 - 4200-20-WT-CR Cabinet Right
 - 4200-20-WT-DL Drawer Left
 - 4200-20-WT-DR Drawer Right

- 22" **ITEM NUMBER**
- 4200-22-WT-CL Cabinet Left
 - 4200-22-WT-CR Cabinet Right
 - 4200-22-WT-DL Drawer Left
 - 4200-22-WT-DR Drawer Right



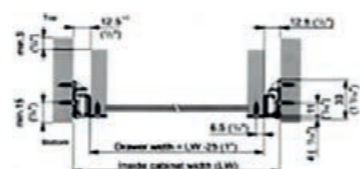
Model: # 4100 Uniframe Euro Slide

- * 3/4 Extension
- * Double Stopper
- * Double Side Captive
- * 32mm System
- * Material: Cold Rolled Steel
- * (CL:CR:DL:DR: 100 pieces per case)

- * Finish: Epoxy Powder Coat
- * Size: 20", 23"
- * Load Capacity: 75 lbs
- * Option - Soft Roller
- * Option - Rear Sockets

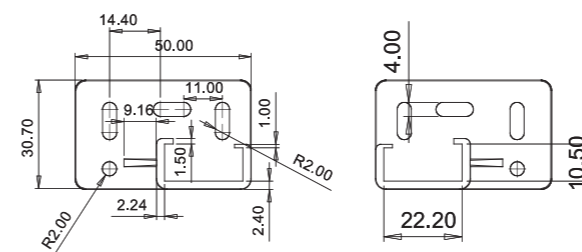
- 20" **ITEM NUMBER**
- 4100-20-WT-CL
 - 4100-20-WT-CR
 - 4100-20-WT-DL
 - 4100-20-WT-DR

- 23" **ITEM NUMBER**
- 4100-23-WT-CL
 - 4100-23-WT-CR
 - 4100-23-WT-DL
 - 4100-23-WT-DR



EUSKT # 1

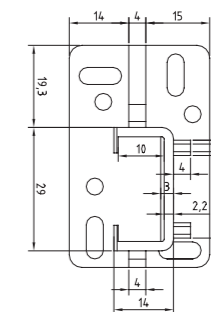
3-1/2" Rear Bracket for Euro Slides



EUSKT-1-L LEFT
EUSKT-1-R RIGHT
CASE: 500 pieces per box

EUSKT # 2

3" Heavy Duty Rear Bracket for Euro Slides



EUSKT-2-L LEFT
EUSKT-2-R RIGHT
CASE: 500 pieces per box

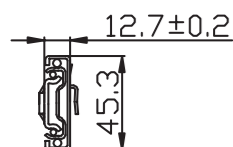


Model: # 4700 Bayonet Ball Bearing Slide

- * Full Extension
- * Side Mounted
- * 46mm Height
- * Flat Sided Profile
- * 12.7mm Side Clearance
- * Case: 10 Pairs

- * Finish: Zinc
- * Lever Disconnect
- * Size: 16" ~ 23"
- * Load Capacity: 100 lbs
- * Material: Cold Rolled Steel
- * OT = 1." Over Travel

- ITEM NUMBER**
 4700-16-ZP
 4700-17-ZPOT
 4700-19-ZPOT
 4700-23-ZPOT

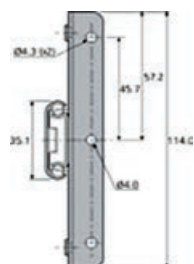


Model: # 2000 Pocket Door Slide

- * Vertical Mounted
- * Detent In
- * Material: Cold Rolled Steel
- * Case: 10 Pairs

- * Finish: Zinc
- * Size: 16" ~ 20"
- * Load Capacity: 50 lbs

- ITEM NUMBER**
 2000-16-ZP
 2000-18-ZP
 2000-20-ZP



Included with slides

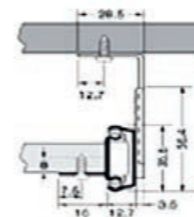


Model: # 3000 Keyboard Slide

- * Top Mount Fixed Brackets
- * Plastic Protective Cover
- * Detent In & Detent Out
- * Material: Cold Rolled Steel
- * Case: 10 Pairs

- * Finish: Zinc or Black
- * Size: 16"
- * Load Capacity: 60 lbs

- ITEM NUMBER**
 3000-16-BK
 3000-16-ZP

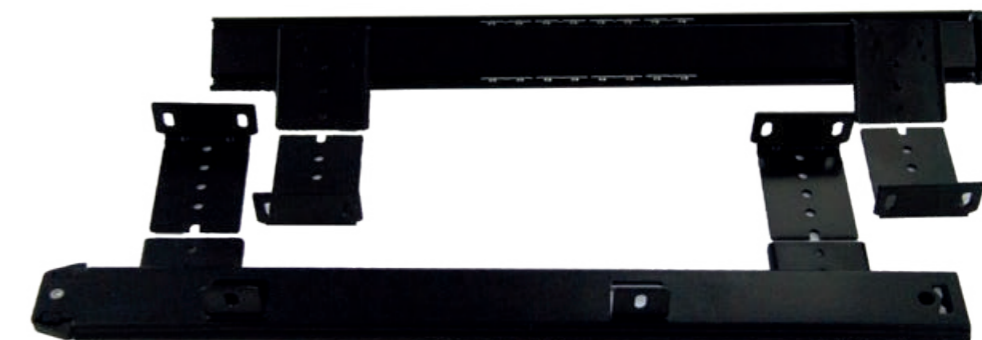
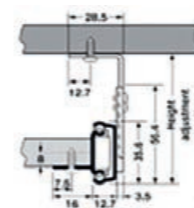


Model: # 3050 Adjustable Keyboard Slide

- * Top Mount Adjustable Brackets
- * Plastic Protective Cover
- * Detent In & Detent Out
- * Material: Cold Rolled Steel
- * Case: 10 Pairs

- * Finish: Black
- * Size: 14"
- * Load Capacity: 60 lbs

- ITEM NUMBER**
 3050-14-BK





PRIDE INDUSTRIAL
 DECORATIVE HARDWARE
 FUNCTIONAL HARDWARE
 & MORE

INSTITUTIONAL HINGES



H760.
 Institutional Hinge 3/4" Overlay x 13/16" Door
CASE QTY 100 **WEIGHT/CASE** 46 lbs
BOX QTY 10

Available Colors	Item Number
Dull Chrome	H760.DC
Powder Dull Chrome	H760.PDC



H780.DC
 Institutional Hinge 13/16" Overlay x 13/16" Door
CASE QTY 100 **WEIGHT/CASE** 46 lbs
BOX QTY 10

Available Colors	Item Number
Dull Chrome	H780.DC



H760.SS
 Institutional Hinge 3/4" Overlay x 13/16" Door
CASE QTY 100 **WEIGHT/CASE** 46 lbs
BOX QTY 10

Available Colors	Item Number
Stainless Steel	H760.SS



H760-45.
 Institutional Hinge 3/4" Overlay x 13/16" Door
 with 45mm CC on the Door Leaf
CASE QTY 100 **WEIGHT/CASE** 46 lbs
BOX QTY 10

Available Colors	Item Number
Black	H760-45.BK
Dull Chrome	H760-45.DC



H740.DC
 Institutional Hinge 3/4" Overlay x 3/4" Door
CASE QTY 100 **WEIGHT/CASE** 46 lbs
BOX QTY 10

Available Colors	Item Number
Dull Chrome	H740.DC



PRIDE INDUSTRIAL
 DECORATIVE HARDWARE
 FUNCTIONAL HARDWARE
 & MORE

EUROPEAN HINGES & PLATES





STANDOUT FEATURES INCLUDE
Speed adjustment cam screw enables hinge to handle multiple door weights.

Patented piston & mechanism allows consistent opening and closing at uniform speed without the feeling of pausing.

Less than 0.5mm door gap.

All new SNAP-FIT structure

ALL NEW SNAP-FIT STRUCTURE.
THE CONNECTIONS ARE TIGHT AND SECURE.
INSTALLATION AND DISMANTLING ARE MORE CONVENIENT.

It is quick to install and quick to disassemble.
The exquisite snap-fit design makes installation simple and convenient.

RUST RESISTANT
WITHSTANDS HIGH AND LOW TEMPERATURES

The hinges have achieved the testing standard for 30 hours of acidity
The damping effects are good under environmental testing at high temperatures of +122° F and low temperatures of -22° F

Opening the door is light and gentle, and the peak value of the door opening force is lower than 18.5 N

Closing the door is smooth, and the door is closed at a uniform speed without any feeling of pausing
The door closing time is 3-5 seconds

EUROPLATE & FACE-FRAME PLATES

GAP FOR DOOR OPENING

Owing to the meticulous design for the motion track, the gap at the door side is nearly invisible. When the door panel thickness is 19 mm and K = 5, the door side crack is only 1.4 mm

THE DOOR CLOSING SPEED IS ADJUSTABLE

One hinge for multiple door applications.



PIVOT STAR HINGE

FULL OVERLAY



110° F/O Soft Close hinge
W/Speed Adjustment

4411-SC No Dowels
4411-8D-SC With Dowels

CASE QTY 200

HALF OVERLAY



110° H/O Soft Close Hinge
W/Speed Adjustment

4422-SC No Dowels
4422-8D-SC With Dowels

CASE QTY 200

INSET



110° Inset Soft Close Hinge
W/Speed Adjustment

4433-SC No Dowels
4433-8D-SC With Dowels

CASE QTY 200

165° HINGE



165° Soft Close hinge
W/Speed Adjustment

4465-SC No Dowels
4465-8D-SC With Dowels

FRAMELESS STEEL PLATE



0mm Soft Close Box Clip
Plate for Pivot Star Hinge
4400 No Screws
4400.S System Screws

**FRAMELESS STEEL PLATE
W/CAM ADJUSTMENT**



0mm Soft Close
Cam Adj Box Clip Plate
4400-CAM No Screws
4400-CAM.S System Screws

FACE FRAME PLATE



Soft Close Face Frame Plate
for Pivot Star Hinge
4401 1mm
4403 3mm



2mm Soft Close Box Clip
Plate for Pivot Star Hinge
4402 No Screws
4402.S System Screws



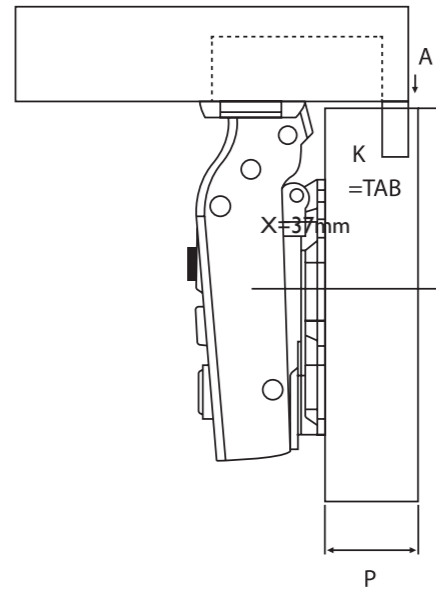
2mm Soft Close Cam Adj Box
Clip Plate
4402-CAM No Screws
4402-CAM.S System Screws



FF PLATE WITH CAM ADJUSTMENT
Soft Close Face Frame Plate
with Cam Adjustment
4401-CAM 1mm
4403-CAM 3mm



FULL OVERLAY

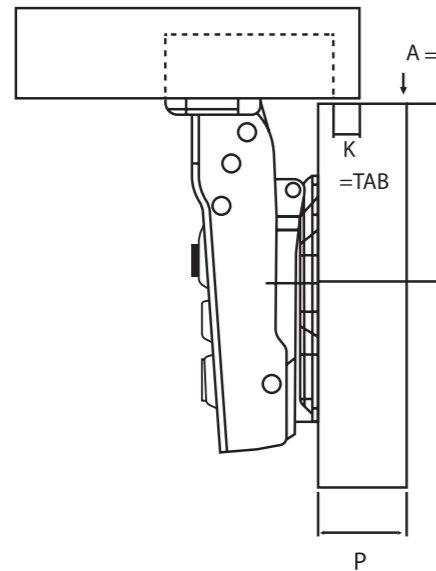


P=	16	17	18	19
K=3 A=	1	2	3	4
K=4 A=	0	1	2	3
K=5 A=	-1	0	1	2
K=6 A=	-2	-1	0	1

P = Cabinet Panel Thickness
A = Cabinet Panel Reveal when door is closed
K = Tab or Drilling Distance from edge of door

Constant Distance
Full Overlay 12mm

HALF OVERLAY

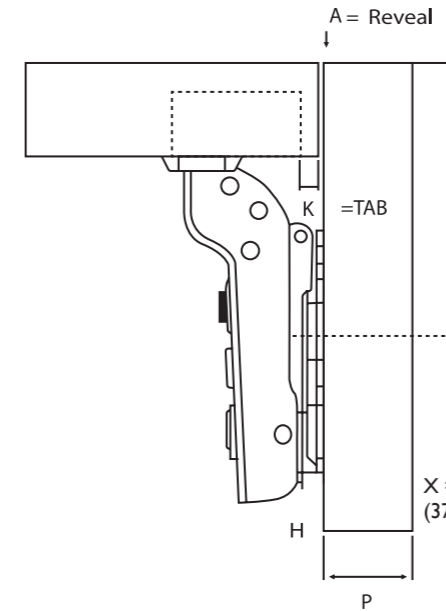


P=	16	17	18	19
K=3 A=	10	11	12	13
K=4 A=	9	10	11	12
K=5 A=	8	9	10	11
K=6 A=	7	8	9	10

P = Cabinet Panel Thickness
A = Cabinet Panel Reveal when door is closed
K = Tab or Drilling Distance from edge of door

Constant Distance
Half Overlay 3mm

INSET

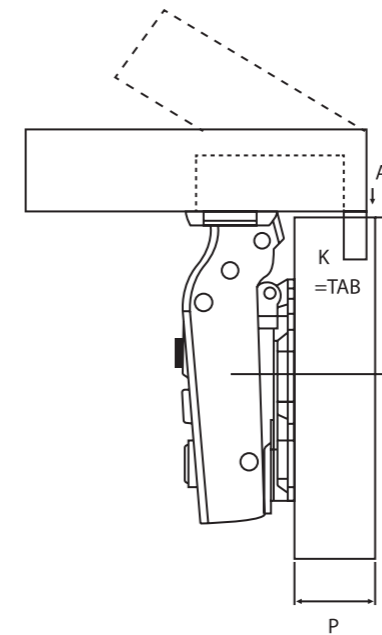


	K Distance	K=3	K=4	K=5	K=6
H=0	A=	3	2	1	0
H=2	A=	5	4	3	2

(H= Plate Thickness)
P = Cabinet Panel Thickness
A = Cabinet Panel Reveal when door is closed
K = Tab or Drilling Distance from edge of door

Constant Distance
Inset -6mm

SPACE NEEDED TO OPEN THE DOOR



T=	16	17	18	19	20
K=3 A=	0.7	0.9	1.2	1.5	1.8
K=4 A=	0.7	0.9	1.1	1.4	1.8
K=5 A=	0.6	0.9	1.1	1.4	1.7
K=6 A=	0.6	0.8	1.1	1.3	1.6

- T = Door thickness | - K = Drilling distance



PRIDE INDUSTRIAL
DECORATIVE HARDWARE
FUNCTIONAL HARDWARE
& MORE

SFX SERIES

SOFT-CLOSE HINGES

FULL OVERLAY



110° Soft Close Clip-On
CAM Hinge Full Overlay
3311-SC No Dowels
3311-8D-SC With Dowels

CASE QTY 200

HALF OVERLAY



110° Soft Close Clip-On
CAM Hinge Half Overlay
3322-SC No Dowels
3322-8D-SC With Dowels

CASE QTY 200

INSET



110° Soft Close Clip-On
CAM Hinge Inset
3333-SC No Dowels
3333-8D-SC With Dowels

CASE QTY 200

165° HINGE



165 SFX Series Soft Close
Clip-On CAM Hinge F/O w/
8mm Dowels
33165-8D-SC

CASE QTY 100

CORNER



110° Soft Close Clip-On
CAM 45° Corner Hinge w/
Dowels
3345-8D-SC

CASE QTY 200

BLIND CORNER



110° Soft Close Clip-On
CAM 90° Blind Corner
Hinge w/ Dowels
3390-8D-SC

CASE QTY 200

FULL OVERLAY



110 Deg +3mm Assembled
Soft Close Hinge & Plate W/
Dowels
33118DSC+3303CAMSC

CASE QTY 200

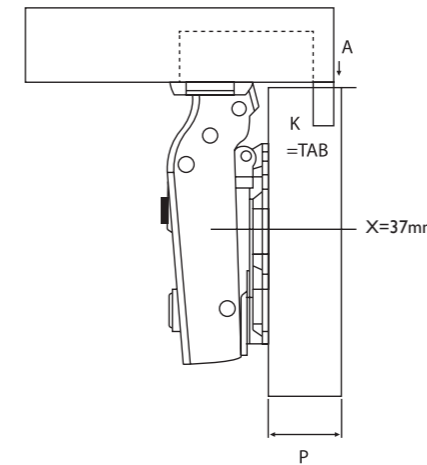


PRIDE INDUSTRIAL
DECORATIVE HARDWARE
FUNCTIONAL HARDWARE
& MORE

SFX SERIES

SOFT-CLOSE HINGES

FULL OVERLAY

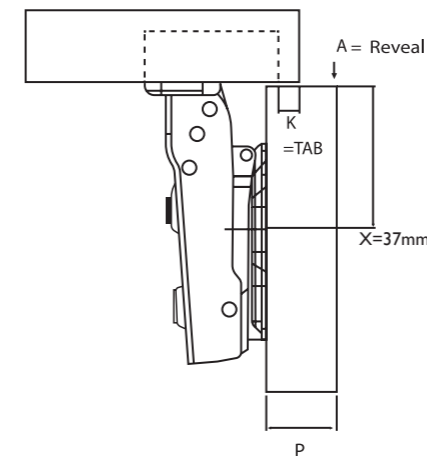


P=	16	17	18	19	
K=3	A=	1	2	3	4
K=4	A=	0	1	2	3
K=5	A=	-1	0	1	2
K=6	A=	-2	-1	0	1

P = Cabinet Panel Thickness
A = Cabinet Panel Reveal when door is closed
K = Tab or Drilling Distance from edge of door

Constant Distance
Full Overlay 12mm

HALF OVERLAY

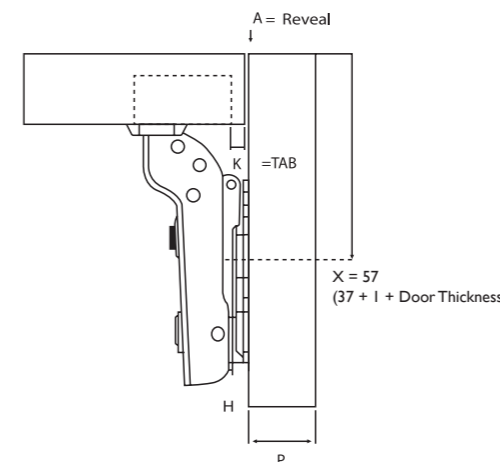


P=	16	17	18	19	
K=3	A=	10	11	12	13
K=4	A=	9	10	11	12
K=5	A=	8	9	10	11
K=6	A=	7	8	9	10

P = Cabinet Panel Thickness
A = Cabinet Panel Reveal when door is closed
K = Tab or Drilling Distance from edge of door

Constant Distance
Half Overlay 3mm

INSET



K Distance	K=3	K=4	K=5	K=6	
H=0	A=	3	2	1	0
H=2	A=	5	4	3	2

(H= Plate Thickness)
P = Cabinet Panel Thickness
A = Cabinet Panel Reveal when door is closed
K = Tab or Drilling Distance from edge of door

Constant Distance
Inset -6mm

SLX SERIES
ONLY AVAILABLE IN FULL OVERLAY

FULL OVERLAY



110 SLX Series Self Close
Clip Hinge Full Overlay /
works with Soft Close plates
3411 No Dowels
3411-8D With Dowels

CASE QTY 200

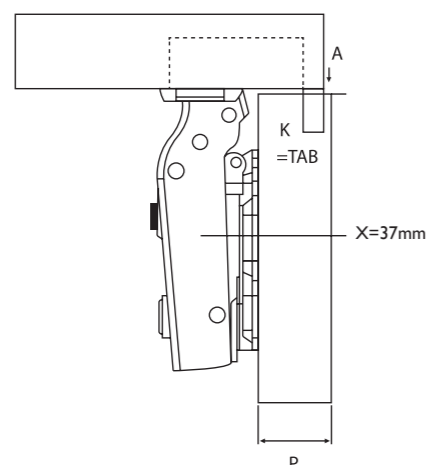
FULL OVERLAY



110 Deg +3mm SLX Series
Assembled Self Close Hinge
& Plate W/Dowels
34118DSC+3303CAMSC

CASE QTY 200

FULL OVERLAY



P=	16	17	18	19
K=3	A= 1	2	3	4
K=4	A= 0	1	2	3
K=5	A= -1	0	1	2
K=6	A= -2	-1	0	1

P = Cabinet Panel Thickness
A = Cabinet Panel Reveal when door is closed
K = Tab or Drilling Distance from edge of door

Constant Distance
Full Overlay 12mm

SFX/SLX SERIES COMPATIBLE PLATES

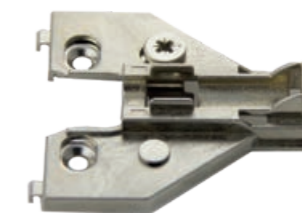
FACE FRAME PLATE



Soft Close Face Frame Clip Plate
3300-SC 1mm 5/8" Overlay
3303-SC 3mm 1/2" Overlay

CASE QTY 200

FF PLATE WITH CAM ADJUSTMENT



Cam Soft Close Face Frame
Clip Plate
3300CAM-SC 0mm 5/8" Overlay
3303CAM-SC 3mm 1/2" Overlay
3306CAM-SC 6mm 3/8" Overlay
CASE QTY 200

FRAMELESS STEEL PLATE



0mm Soft Close Euro Box
Clip Plate
3300

CASE QTY 200



Soft Close Euro Box Clip
Plate w/ System Screws
3300.S 0mm
3302.S 2mm

CASE QTY 200

FRAMELESS STEEL PLATE W/CAM ADJUSTMENT



0mm Soft Close Cam
Adjustable Euro Box Clip
Plate. 3/4" OL
96T00TQ
96T02TQ Euro Screws
CASE QTY 200



2mm Soft Close Cam Adjustable
Euro Box Clip Plate 5/8" OL
96T20TQ
96T22TQ Euro Screws

CASE QTY 200



4mm Soft Close Cam Adjustable
Euro Box Clip Plate 1/2" OL
96T40TQ
96T42TQ Euro Screws

CASE QTY 200

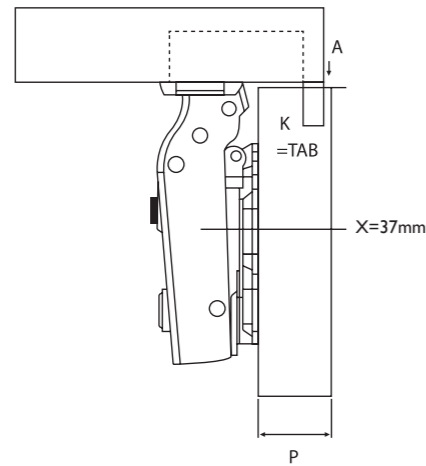


PRIDE INDUSTRIAL
DECORATIVE HARDWARE
FUNCTIONAL HARDWARE
& MORE

SDX SERIES

STANDARD CONCEALED HINGES

FULL OVERLAY

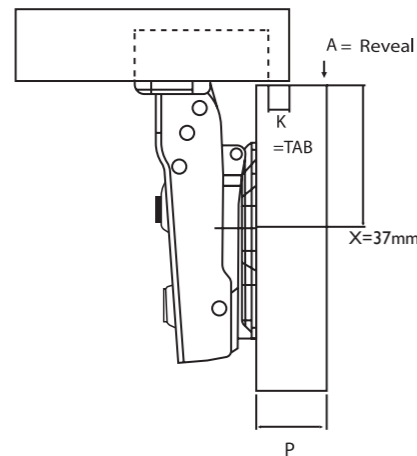


P=	16	17	18	19
K=3 A=	1	2	3	4
K=4 A=	0	1	2	3
K=5 A=	-1	0	1	2
K=6 A=	-2	-1	0	1

P = Cabinet Panel Thickness
A = Cabinet Panel Reveal when door is closed
K = Tab or Drilling Distance from edge of door

Constant Distance
Full Overlay 12mm

HALF OVERLAY

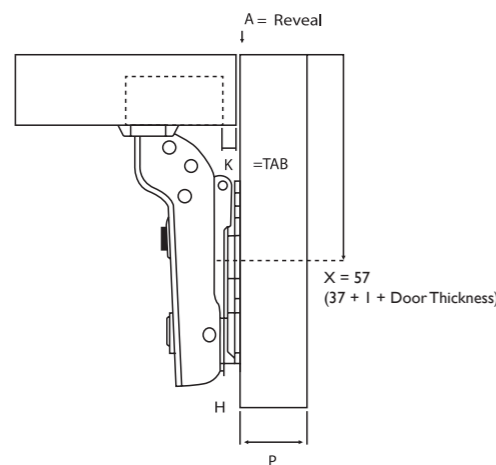


P=	16	17	18	19
K=3 A=	10	11	12	13
K=4 A=	9	10	11	12
K=5 A=	8	9	10	11
K=6 A=	7	8	9	10

P = Cabinet Panel Thickness
A = Cabinet Panel Reveal when door is closed
K = Tab or Drilling Distance from edge of door

Constant Distance
Half Overlay 3mm

INSET



K Distance	K=3	K=4	K=5	K=6
H=0 A=	3	2	1	0
H=2 A=	5	4	3	2

(H= Plate Thickness)
P = Cabinet Panel Thickness
A = Cabinet Panel Reveal when door is closed
K = Tab or Drilling Distance from edge of door

Constant Distance
Inset -6mm



PRIDE INDUSTRIAL
DECORATIVE HARDWARE
FUNCTIONAL HARDWARE
& MORE

SDX SERIES

STANDARD CONCEALED HINGES

FULL OVERLAY 110°



Click On Hinge 110°, FO, SC,
#633A.CL No Dowels
#634A.CL With Dowels

CASE QTY 200

FULL OVERLAY W/CAM ADJUSTMENT 110°



Click On Cam Hinge 110°,
FO, SC, w/ Dowels
HCAM634A.CL

CASE QTY 200

HALF OVERLAY 110°



Click On Hinge 110°, HO, SC
#633B.CL No Dowels
#634B.CL With Dowels

CASE QTY 200

INSET 110°



Click On Hinge 110°, Inset, SC
#633C.CL No Dowels
#634C.CL With Dowels

CASE QTY 200

FULL OVERLAY 120°



Click On Hinge 120°, FO, SC
#649A.CL No Dowels
#659A.CL With Dowels

CASE QTY 200

FULL OVERLAY W/CAM ADJUSTMENT 120°



Click On Cam Hinge 120°,
FO, SC, w/ Dowels
HCAM659A.CL

CASE QTY 200



PRIDE INDUSTRIAL
 DECORATIVE HARDWARE
 FUNCTIONAL HARDWARE
 & MORE

SDX SERIES

STANDARD CONCEALED HINGES

HALF OVERLAY 120°



Click On Hinge 120°, HO,
 SC, w/ Dowels
#659B.CL

CASE QTY 200

CORNER



Corner Clip-On Hinge
 w/ Dowels
H30-D.CL 30°
H45-D.CL 45°

CASE QTY 200

PIE CORNER



Click On Pie Corner Hinge
 w/ Dowels
H80-D.CL

CASE QTY 200

110° HINGE



Click On Hinge 165°, FO, SC,
H51A.CL No Dowels
H52A.CL With Dowels

CASE QTY 100

BLIND CORNER



Click On Blind Corner
 Hinge no Dowels
H90.CL

CASE QTY 200



PRIDE INDUSTRIAL
 DECORATIVE HARDWARE
 FUNCTIONAL HARDWARE
 & MORE

SDX SERIES

STANDARD CONCEALED HINGES

FACE-FRAME PLATES



Click On 0mm
 Face Frame Plate

FCL.0 5/8" Overlay
FCL.3 1/2" Overlay
FCL.6 3/8" Overlay

CASE QTY 200



Click On 0mm
 Steel Face Frame Plate

FCL.S.0 5/8" Overlay
FCL.S.3 1/2" Overlay
FCL.S.6 3/8" Overlay

CASE QTY 200



CAM Click On
 Face Frame Plate

FCLCAM.0 0mm 5/8" OL
FCLCAM.3 3mm 1/2" OL

CASE QTY 200



PRIDE INDUSTRIAL
 DECORATIVE HARDWARE
 FUNCTIONAL HARDWARE
 & MORE

SDX SERIES

STANDARD CONCEALED HINGES

FRAMELESS STEEL PLATE



Click On Steel Box Plate.
 3/4" OL for frameless
 cabinets

CLK.0 0mm
CLK.2 2mm

CASE QTY 200



0mm Box Plate w/ Special
 Adjustment Screw & Euro
 Screws. No CAM, 3/4" OL

CLK.OSC

CASE QTY 200



Click On Stamped Steel Box
 Plate. 5/8" OL for
 frameless cabinets

CLK.OS 0mm
CLK.2S 2mm

CASE QTY 200

FRAMELESS STEEL PLATE W/CAM ADJUSTMENT



Steel Box Plate
 w/ Cam Adjustment
 without screw

T00TQ 0mm
T20TQ 2mm
T40TQ 4mm

CASE QTY 200



Steel Box Plate
 w/ Cam Adjustment w/ Screws

T02TQ 0mm w/ Screws
T0CTQ 0mm w/ Dowels
 & Screws
T22TQ 2mm w/ Screws
T42TQ 4mm w/ Screws

CASE QTY 200

FRAMELESS PLATE



Slide On 0mm
 Metal Box Plate
 For Frameless Cabinets

SLO.0 3/4" OL
SLO.2 5/8" OL
CASE QTY 200



PRIDE INDUSTRIAL
 DECORATIVE HARDWARE
 FUNCTIONAL HARDWARE
 & MORE

SDX SERIES

STANDARD CONCEALED HINGES

SLIDE ON SDX SERIES

FULL OVERLAY



Slide On Hinge 110°, FO, SC
#633A.SO No Dowels

CASE QTY 200

INSET



Slide On Hinge 110°, Inset,
 SC no Dowels
#633C.SO

CASE QTY 200



PRIDE INDUSTRIAL
 DECORATIVE HARDWARE
 FUNCTIONAL HARDWARE
 & MORE

COMPACT & SHORT ARM HINGES
 SELF-CLOSE AND SOFT CLOSE



1 Pc Face Frame Hinge
 w/ Dowels
H250-D 1/2" OL
H254-D 3/4" OL

CASE QTY 200



1 Pc Face Frame Hinge 1-1/4" OL
H258-D 1-1/4" OL w/Dowels
H260 1-3/8" OL No Dowels

CASE QTY 200



Short Arm Face Frame
 Hinge = 3/8" Overlay
H275 No Dowels

CASE QTY 200



PRIDE INDUSTRIAL
 DECORATIVE HARDWARE
 FUNCTIONAL HARDWARE
 & MORE

COMPACT & SHORT ARM HINGES
 SELF-CLOSE AND SOFT CLOSE



Soft Close 4 Way 2 Cam Adjust-
 able 1 pc Face Frame Hinge
 w/ Dowels 1/2" OL
H294-SC No Dowels
H294-D-SC Dowels

CASE QTY 200



4 Way 2 Cam Adjustable 1 pc
 Face Frame Hinge 3/4" OL
H295 No Dowels
H295-D With Dowels

CASE QTY 200



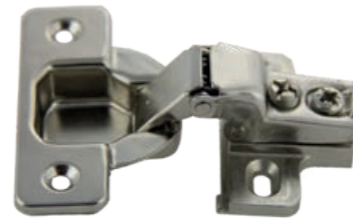
Soft Close 4 Way 2 Cam
 Adjustable 1 pc Face Frame
 Hinge 3/4" OL
H295-SC No Dowels
H295-D-SC With Dowels

CASE QTY 200



Short Arm Face Frame
 Hinge w/ STEEL PLATE
H275.S-D 3/8" Overlay
H280.S-D 1/2" Overlay

CASE QTY 200



Short Arm Face Frame
 Hinge = 1/2" Overlay
H280 No Dowels
H280-D With Dowels

CASE QTY 200



Short Arm Soft Close Face
 Frame CAM Hinge Steel Plate
 1/2" Overlay w/ Dowel
HCAM280-D-SC w/Dowel
HCAM280-SC No Dowel

CASE QTY 200



6 Way 3 Cam Adjustable 1 pc
 Face Frame Hinge w/ Dowels
 1/2" OL
H296-D

CASE QTY 200



4 Way 2 Cam Adjustable 1 pc
 Face Frame Hinge 1-1/4" OL
H297 No Dowels
H297-D With Dowels

CASE QTY 200



Soft Close 4 Way 2 Cam Adjust-
 able 1 pc Face Frame Hinge w/
 Dowels 1-1/4" OL
H297-SC No Dowels
H297-D-SC With Dowels

CASE QTY 200



Short Arm Face Frame CAM
 Hinge W/Cam Steel Plate 1/2"
 Overlay with Dowel
H2CAM280-D with Dowel

CASE QTY 200



Short Arm Face Frame CAM
 Hinge W/Cam Steel Plate 1/2"
 Overlay no Dowel
H2CAM280-SC
H2CAM280-D-SC with Dowel

CASE QTY 200



4 Way 2 Cam Adjustable 1 pc
 Face Frame Hinge 1/2" OL
H294 No Dowels
H294-D With Dowels

CASE QTY 200



4 Way 2 Cam Adjustable 1 pc
 Face-Frame Hinge w/ Dowels
 1" OL
H298-D No Soft Close
H298-D-SC Soft Close

CASE QTY 200

LAZY SUSAN COLLECTION



LS18RD.WT
18" ROUND
Lazy Susan White
Plastic with
stainless steel pole

LS24RD.WT
24" ROUND
Lazy Susan White
Plastic with
stainless steel pole

LS28RD.WT
28" ROUND
Lazy Susan White
Plastic with
stainless steel pole

LS24KD.WT
24" KIDNEY
Lazy Susan White
Plastic with
stainless steel pole

LS28KD.WT
28" KIDNEY
Lazy Susan White
Plastic with
stainless steel pole

LS32KD.WT
32" KIDNEY
Lazy Susan White
Plastic with
stainless steel pole



LS18RD.3TRAY
18" ROUND Lazy
Susan White with
3 Trays

Item Adjustment
Range between
31.5" - 43"



PRIDE INDUSTRIAL
DECORATIVE HARDWARE
FUNCTIONAL HARDWARE
& MORE

L-BRACKETS & MENDING PLATES



LB-
" L" Bracket

Size	Colors	Item Number	Case	Weight/Case
3/4 x 3/4	Black	LB-3/4.BK	2M	29 lbs
3/4 x 3/4	Zinc	LB-3/4.ZP	2M	29 lbs
1 x 1	Zinc	LB-1.ZP	1M	18 lbs
1.5 x 1.5	Zinc	LB-1.5.ZP	1M	28 lbs
2 x 2	Zinc	LB-2.ZP	0.5M	19 lbs
2.5 x 2.5	Zinc	LB-2.5.ZP	0.5M	30 lbs
3 x 3	Zinc	LB-3.ZP	0.5M	41 lbs
3.5 x 3.5	Zinc	LB-3.5.ZP	0.3M	39 lbs
4 x 4	Zinc	LB-4.ZP	0.2M	40 lbs

1M = 1,000



F-B
Black Flat Bracket

Size	Item Number	Case	Weight/Case
2 x 4	F-B 2 X 4.BK	200	32 lbs
2 x 6	F-B 2 X 6.BK	200	53 lbs
2-1/4 x 2-1/4	F-B 2-1/4.BK	300	30 lbs



FIGURE 8
Heavy Duty Figure 8

CASE QTY	2M	WEIGHT/CASE	23 lbs
----------	----	-------------	--------



MP-
Mending Plate Zinc Plated

Size	Item Number	Case Qty	Weight/Case
2"	MP-2.ZP	1 M	18 lbs
3"	MP-3.ZP	1 M	28 lbs
4"	MP-4.ZP	0.5M	18 lbs

1M = 1,000



CB90.
90 Degree Corner Bracket
1-1/4 x 1-1/4 x 2-1/4 Tall

CASE QTY	500	WEIGHT/CASE	36 lbs
Available Colors		Item Number	
Black		CB90.BK	
Zinc		CB90.ZP	



CB94.BK
90 Degree Corner Bracket 3/4 x 5"

CASE QTY	500	WEIGHT/CASE	44 lbs
----------	-----	-------------	--------



B46001.PS
Chair Brace 1-3/8" x 1-3/8" Plain Steel

CASE QTY	1,000	WEIGHT/CASE	21 lbs
----------	-------	-------------	--------

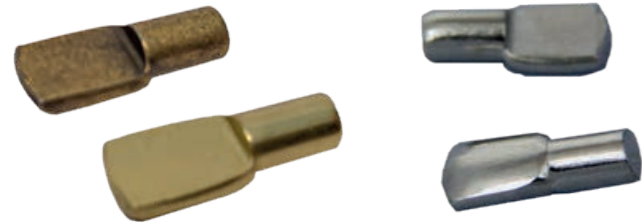


PRIDE INDUSTRIAL
 DECORATIVE HARDWARE
 FUNCTIONAL HARDWARE
 & MORE

SHELF SUPPORT



SS20-5MM.ZP
 5mm x 16mm Duplo Shelf Pin ZP
CASE QTY 5M **WEIGHT/CASE** 26 lbs
Available Colors **Item Number**
 Zinc Plated SS20-5MM.ZP



SS21-5MM.
 5mm Spoon Shaped Shelf Support
CASE QTY 5M **WEIGHT/CASE** 26 lbs
BOX QTY 1M
Available Colors **Item Number**
 Antique Brass SS21-5MM.AB
 Nickel SS21-5MM.NI
 Brass SS21-5MM.PB



SS01-5MM.
 5mm " L " Shaped Shelf Support
CASE QTY 2M **WEIGHT/CASE** 25 lbs
BOX QTY 1M
Available Colors **Item Number**
 Antique Brass SS01-5MM.AB
 Nickel SS01-5MM.NI
 Brass SS01-5MM.PB



SS21-1/4.
 1/4" Spoon Shaped Shelf Support
CASE QTY 5M **WEIGHT/CASE** 51 lbs
BOX QTY 0.5M
Available Colors **Item Number**
 Antique Brass SS21-1/4.AB
 Antique Copper SS21-1/4.AC
 Nickel SS21-1/4.NI
 Brass SS21-1/4.PB



SS01-1/4.
 1/4 " L " Shaped Shelf Support
CASE QTY 2M **WEIGHT/CASE** 31 lbs
BOX QTY 1M
Available Colors **Item Number**
 Antique Brass SS01-1/4.AB
 Antique Copper SS01-1/4.AC
 Nickel SS01-1/4.NI
 Brass SS01-1/4.PB



B-3/4.WT
 White Plastic Spacer Block 3/4
CASE QTY 1,000 **WEIGHT/CASE** 11 lbs



PRIDE INDUSTRIAL
 DECORATIVE HARDWARE
 FUNCTIONAL HARDWARE
 & MORE

SHELF SUPPORT



RTA-3.
 RTA 32mm Male & Female Fittings
CASE QTY 2,500 **WEIGHT/CASE** 26 lbs
Available Colors **Item Number**
 Brown RTA-3.BN



SS35-
 Plastic Locking Shelf Support
 5mm x 5/8" Shelf
CASE QTY 5M **WEIGHT/CASE** 31 lbs
Available Colors **Item Number**
 Clear SS35-CLR
 White SS35-WT



SS23.
 Shelf Support w/ 5mm Metal Pin
CASE QTY 5M **WEIGHT/CASE** 41 lbs
BOX QTY 1M
Available Colors **Item Number**
 Clear SS23.CLR
 White SS23.WT



SS36-
 Plastic Locking Clear Shelf Support
 5mm x 3/4" Shelf
CASE QTY 5M **WEIGHT/CASE** 31 lbs
Available Colors **Item Number**
 Clear SS36-CLR
 White SS36-WT



RTA-
 Connector Screw M4 Thread x 15mm Long
CASE QTY 5M
BOX QTY 1M
Available Colors **Item Number**
 Connector Screw RTA-15.NI
 Connector Sleeve 27mm RTA-27.NI
 Connector Sleeve 35mm RTA-35.NI

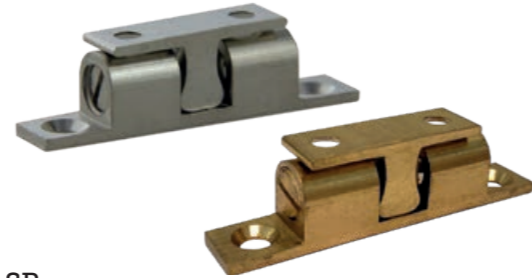


PRIDE INDUSTRIAL
 DECORATIVE HARDWARE
 FUNCTIONAL HARDWARE
 & MORE

RTA & CATCHES



EC-14.AL
 Elbow Catch Aluminum with Strike Plate
CASE QTY 1,000 **WEIGHT/CASE** 41 lbs
BOX QTY 100



C285.SB.
 2" Double Ball Catch Solid Brass
CASE QTY 1,000 **WEIGHT/CASE** 33 lbs
BOX QTY 50
Available Colors **Item Number**
 Nickel Plated C285.SB.NI
 Polished Brass C285.SB.PB

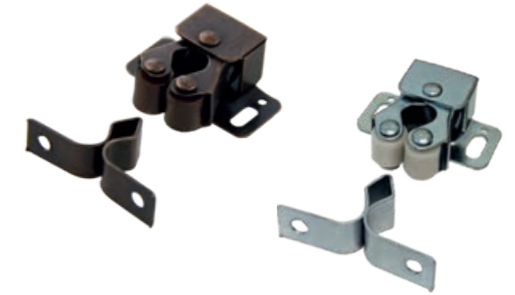


PRIDE INDUSTRIAL
 DECORATIVE HARDWARE
 FUNCTIONAL HARDWARE
 & MORE

CATCHES



C411.
 Heavy Duty Double Roller Catch
CASE QTY 1,000 **WEIGHT/CASE** 41 lbs
BOX QTY 100
Available Colors **Item Number**
 Antique Copper C411.AC
 Zinc Plated C411.ZP



C04.
 Double Roller Catch
CASE QTY 1,000 **WEIGHT/CASE** 41 lbs
BOX QTY 100
Available Colors **Item Number**
 Antique Copper C04.AC
 Zinc Plated C04.ZP



C241.AL
 Regular Aluminum Mag Poly Bagged
 w/ Plate & Screws
CASE QTY 500 **WEIGHT/CASE** 41 lbs
BOX QTY 50
Available Colors **Item Number**
 Aluminum C241.AL



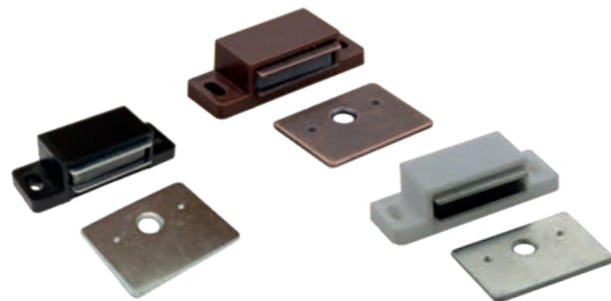
C242.AL
 Heavy Duty Aluminum Mag Poly Bagged
 w/ Plate & Screws
CASE QTY 500 **WEIGHT/CASE** 56 lbs
BOX QTY 50
Available Colors **Item Number**
 Aluminum C242.AL



H2500.BK
 Glass Door Hinge Black w/ Metal Screws
CASE QTY 500 **WEIGHT/CASE** 61 lbs
Available Colors **Item Number**
 Black H2500.BK



SP-245.BK
 Glass Door Strike Plate Matte Black
CASE QTY 1,000 **WEIGHT/CASE** 31 lbs
BOX QTY 500
Available Colors **Item Number**
 Matte Black SP-245.BK



C509.
 Single Mag Catch w/ Strike Plate & Screws
CASE QTY 1,000 **WEIGHT/CASE** 51 lbs
BOX QTY 100
Available Colors **Item Number**
 Black/Zinc Plate C509.BK/ZP
 Brown/Antique Copper C509.BN/AC
 White/Zinc Plate C509.WT/ZP



C250.
 Heavy Duty Mag Catch
 w/ Strike Plate & Screws
CASE QTY 500 **WEIGHT/CASE** 46 lbs
BOX QTY 50
Available Colors **Item Number**
 Brown/Antique Copper C250.BN/AC
 White/Zinc Plate C250.WT/ZP



C907.
 Single Mag Touch Latch Poly Bagged
 w/ Screws & Plate
CASE QTY 1,000 **WEIGHT/CASE** 51 lbs
BOX QTY 250
Available Colors **Item Number**
 Black C907.BK
 White C907.WT



C927.
 Double Mag Touch Latch Poly Bagged
 w/ Screws & Plates
CASE QTY 500 **WEIGHT/CASE** 51 lbs
BOX QTY 125
Available Colors **Item Number**
 Black C927.BK
 White C927.WT



PRIDE INDUSTRIAL
 DECORATIVE HARDWARE
 FUNCTIONAL HARDWARE
 & MORE

SHUTTER HARDWARE



H739-RP.
 Self Closing Flush Hinge
 RETAIL Pack with Screws and Pads
CASE QTY 200 **WEIGHT/CASE** 33 lbs
BOX QTY 10
Available Colors **Item Number**
 Oil Rubbed Bronze H739-RP.10B
 Antique Brass H739-RP.AB
 Matte Black H739-RP.BK
 Brass Plated H739-RP.BP 100/25 P
 Dull Nickel H739-RP.DN 100/25 P



H739
 Self Closing Flush Hinge
CASE QTY 200 **WEIGHT/CASE** 33 lbs
Available Colors **Item Number**
 Antique Brass H739.AB
 Matte Black H739.BK
 Brass Plated H739.BP
 Dull Nickel H739.DN
 Chrome Plated H739.PC
 White H739.WT



H25.BK
 Butterfly Hinge Matte Black 2-1/2" x 1-5/8"
CASE QTY 500 **WEIGHT/CASE** 36 lbs
Available Colors **Item Number**
 Black H25.BK



H0054.
 Butt Hinge 2-1/2" x 1-5/8" w/ Fixed Pin
CASE QTY 500 **WEIGHT/CASE** 41 lbs
Available Colors **Item Number**
 Antique Brass H0054.AB
 Matte Black H0054.BK



H0054M
 Butt Hinge 2-1/2" x 1-5/8" w/ Minaret
CASE QTY 500 **WEIGHT/CASE** 41 lbs
Available Colors **Item Number**
 Nickel Plated H0054M.NI



H650.AB
 Armoire Hinge 270 Degree Antique Brass
 3/4" OL x 3/4" Door
CASE QTY 200 **WEIGHT/CASE** 51 lbs
Available Colors **Item Number**
 Antique Brass H650.AB



PRIDE INDUSTRIAL
 DECORATIVE HARDWARE
 FUNCTIONAL HARDWARE
 & MORE

SHUTTER HARDWARE



H123.
 Shutter Butt Hinge 2-1/2" x 1-1/2" w/ Loose Pin
CASE QTY 500 **WEIGHT/CASE** 46 lbs
BOX QTY 50
Available Colors **Item Number**
 Antique Brass H123.AB
 Almond H123.AL
 White H123.WT



H115.AC
 2" Non Mortise Hinge Antique Copper
CASE QTY 500 **WEIGHT/CASE** 33 lbs
Available Colors **Item Number**
 Antique Copper H115.AC



H130.NI
 3 Leaf Flag Hinge Nickel Plate
CASE QTY 200 **WEIGHT/CASE** 25 lbs
Available Colors **Item Number**
 Nickel Plated H130.NI



H145.
 Non-Mortise Shutter Hinge 3" w/ Loose Pin
CASE QTY 500 **WEIGHT/CASE** 61 lbs
BOX QTY 50
Available Colors **Item Number**
 Antique Brass H145.AB
 White H145.WT



H124.
 Shutter Butt Hinge 2-1/2" x 2-1/2"
 w/ Loose Pin
CASE QTY 500 **WEIGHT/CASE** 86 lbs
BOX QTY 50
Available Colors **Item Number**
 Antique Brass H124.AB
 Almond H124.AL
 White H124.WT



PRIDE INDUSTRIAL
 DECORATIVE HARDWARE
 FUNCTIONAL HARDWARE
 & MORE

SHUTTER HARDWARE



SHS-6.
 Shutter Screw Flat Head Phillip Drive
 6 x 3/4 Type 17

CASE QTY 10,000 **WEIGHT/CASE** 23 lbs
BOX QTY 1,000

Available Colors	Item Number
Antique Brass	SHS-6.AB
Almond	SHS-6.AL



SHC-1.ZP
 Shutter Catch OUTSET Zinc Plated

CASE QTY 1,000 **WEIGHT/CASE** 21 lbs
BOX QTY 100



SHC-2.
 Shutter Catch INSET

CASE QTY 1,000 **WEIGHT/CASE** 21 lbs
BOX QTY 100

Available Colors	Item Number
Brass Plated	SHC-2.BP
White	SHC-2.WT
Zinc Plated	SHC-2.ZP



SHP-21.WT
 Shutter Pin White

CASE QTY 10,000 **WEIGHT/CASE** 11 lbs
BOX QTY 2,500

Available Colors	Item Number
White	SHP-21.WT



SRP-30.WT
 Shutter Repair Pin White pack

CASE QTY 10,000 **WEIGHT/CASE** 11 lbs
BOX QTY 1,000

Available Colors	Item Number
White	SRP-30.WT



PRIDE INDUSTRIAL
 DECORATIVE HARDWARE
 FUNCTIONAL HARDWARE
 & MORE

LEG HARDWARE



PL100.BK
 Peninsula Leg 3" Dia x 27-3/4" High
 Matte Black

* Recommended Leveler for Leg:
 LV516-138.BK Page 144
 (Sold Separately)



HL300.BK
 "H" Leg 27-3/4" High Matte Black



LL-
 Square Bench Leg

Available Colors/Sizes	Item Number
16.5" Tall Black	LL-1.BK
16.5" Tall Stainless Steel	LL-1.SS
18" Tall "T" Black	LL-2.BK
18" Tall "T" Stainless Steel	LL-2.SS



CL40-
 Cabinet Adjustable Leg W/Toe Kick Clip Option

Available Sizes	Item Number
3-3/4"	CL40-100
4-3/4"	CL40-120
5-3/4"	CL40-150
OPTIONAL CLIP	CL40-CLIP (1000/200) Set
CASE QTY 200	BOX QTY 50



PRIDE INDUSTRIAL
 DECORATIVE HARDWARE
 FUNCTIONAL HARDWARE
 & MORE

LEG HARDWARE



CL50-
 Cabinet Adjustable Leg Black Wrinkle

Available Sizes	Item Number
4"	CL50-100.BKW
6"	CL50-150.BKW
8"	CL50-200.BKW
CASE QTY	24

CL50-
 Cabinet Adjustable Leg Satin Chrome

Available Sizes	Item Number
4"	CL50-100.SC
6"	CL50-150.SC
8"	CL50-200.SC
CASE QTY	24



PRIDE INDUSTRIAL
 DECORATIVE HARDWARE
 FUNCTIONAL HARDWARE
 & MORE

GROMMETS



GR186-45.BK
 1-3/4" Plastic 2 pc Grommet Black

CASE QTY	1,000	WEIGHT/CASE	51 lbs
Available Colors	Black	Item Number	GR186-45.BK



GR187-51.
 51mm Deluxe Plastic 3 pc Grommet

CASE QTY	1,000	WEIGHT/CASE	51 lbs
BOX QTY	200	Available Colors	Black
		Item Number	GR187-51.BK
			Brown
			GR187-51.BN
			Gray
			GR187-51.GRY
			White
			GR187-51.WT



GR188-60.
 60mm Deluxe Plastic 3 pc Grommet

CASE QTY	500	WEIGHT/CASE	26 lbs
Available Colors	Black	Item Number	GR188-60.BK
	Brown		GR188-60.BN
	Gray		GR188-60.GRY
	White		GR188-60.WT



GR189-70.
 70mm Deluxe Plastic 3 pc Grommet

CASE QTY	400	WEIGHT/CASE	25 lbs
Available Colors	Black	Item Number	GR189-70.BK
	Brown		GR189-70.BN
	Gray		GR189-70.GRY (200)
	White		GR189-70.WT (500)



GR190-80.
 80mm Deluxe Plastic 3 pc Grommet

CASE QTY	300	WEIGHT/CASE	19 lbs
Available Colors	Black	Item Number	GR190-80.BK
	Brown		GR190-80.BN
	Gray		GR190-80.GRY
	White		GR190-80.WT



GR1350-40.BK
 1 pc Metal Grommet 40mm (1-3/4") Matte Black

CASE QTY	500	WEIGHT/CASE	32 lbs
Available Colors	Black	Item Number	GR1350-40.BK



PRIDE INDUSTRIAL
 DECORATIVE HARDWARE
 FUNCTIONAL HARDWARE
 & MORE

GROMMETS



GRE-71880003-
 Electric Grommet, 80mm w/ 2 USB connections & power outlet

Available Colors	Item Number
Black	GRE-71880003-BK
Grey/Silver	GRE-71880003-GRY



GR-82910.
 63mm (2-1/2") 2 pc Metal Grommet

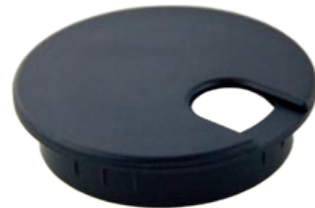
CASE QTY	150	WEIGHT/CASE	46 lbs
BOX QTY	15		

Available Colors	Item Number
Black	GR-82910.BK
Satin Nickel	GR-82910.SN



GR22.BK
 80mm 1 pc Grommet w/ Flexible Top Black

Available Colors	Item Number
Black	GR22.BK



GR76.
 3" Plastic 2 pc Grommet

CASE QTY	100	WEIGHT/CASE	9 lbs
Available Colors		Item Number	
Black		GR76.BK	
Light Gray		GR76.LT-GRAY	
White		GR76.WT	



GR1035.WHITE
 2" Plastic 2 pc Grommet White

Available Colors	Item Number
White	GR1035.WHITE

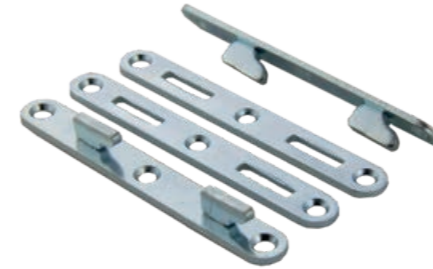


GR63.
 63mm (2-1/2") Plastic 2 pc Grommet

CASE QTY	200	WEIGHT/CASE	9 lbs
Available Colors		Item Number	
Black		GR63.BK	
White		GR63.WT	



PRIDE INDUSTRIAL
 DECORATIVE HARDWARE
 FUNCTIONAL HARDWARE
 & MORE



B850.NP
 Bed Rail Fastener 5" w/ Round Corners
 Zinc Plated

CASE QTY	25 SETS	WEIGHT/CASE	20 lbs
----------	---------	-------------	--------



TR6X1.SS TR6X2.SS TR6X6.SS



TR8X1.SS TR8X2.SS

TR
 Stainless Steel Trash Ring

Available Sizes	Item Number	CASE QTY
6" Dia x 1" Deep	TR6X1.SS	108 pieces
6" Dia x 2" Deep	TR6X2.SS	60 pieces
6" Dia x 6" Deep	TR6X6.SS	24 pieces
8" Dia x 1" Deep	TR8X1.SS	72 pieces
8" Dia x 2" Deep	TR8X2.SS	42 pieces



LV516-138.BK
 Leveler 5/16" x 1" Stem x 1-1/8" Dia Base w/
 Metal Shell and Plastic Bottom

CASE QTY	500	WEIGHT/CASE	51 lbs
Available Colors		Item Number	
Black (1-3/8" Base)		LV516-138.BK	



BKT-100
 Breadboard Bracket

CASE QTY	200	WEIGHT/CASE	31 lbs
----------	-----	-------------	--------



B101.WT
 Plastic Cutting Board White
 1/4" Thick x 10" x 14"

CASE QTY	10	WEIGHT/CASE	14 lbs
Available Colors		Item Number	
White		B101.WT	

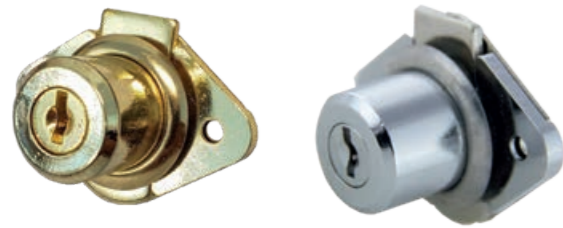


B103.WT
 Plastic Cutting Board White
 3/8" Thick x 11" x 16"

CASE QTY	15	WEIGHT/CASE	31 lbs
Available Colors		Item Number	
White		B103.WT	



PRIDE INDUSTRIAL
 DECORATIVE HARDWARE
 FUNCTIONAL HARDWARE
 & MORE



L35.KA.
 7/8" Desk Lock Keyed Alike

CASE QTY	240	WEIGHT/CASE	39 lbs
BOX QTY	12		
Available Colors		Item Number	
Brass Plated		L35.KA.PB	
Chrome Plated		L35.KA.PC	



L45.KA.PC
 Push Lock Keyed Alike # 2

CASE QTY	240	WEIGHT/CASE	29 lbs
BOX QTY	12		
Available Colors		Item Number	
Chrome Plated		L45.KA.PC	



PRIDE INDUSTRIAL
 DECORATIVE HARDWARE
 FUNCTIONAL HARDWARE
 & MORE



NG12.WT
 1/2" Plastic Nail Glide White

CASE QTY	10M	WEIGHT/CASE	38 lbs
BOX QTY	5M		



NG34.
 3/4" Plastic Nail Glide

CASE QTY	10M	WEIGHT/CASE	38 lbs
BOX QTY	5M		
Available Colors		Item Number	
Tan		NG34.TN	
White		NG34.WT	



L25.KA.
 1-1/8" Cam Lock Keyed Alike # 1

CASE QTY	240	WEIGHT/CASE	39 lbs
BOX QTY	12		
Available Colors		Item Number	
Black		L25.KA.BK	
Chrome Plated		L25.KA.PC	



TMLS-12
 12" Round Swivel 1000 lbs Capacity

CASE QTY	25	WEIGHT/CASE	46 lbs
-----------------	----	--------------------	--------



NG58.
 5/8" Plastic Nail Glide

CASE QTY	10M	WEIGHT/CASE	35 lbs
BOX QTY	5M		
Available Colors		Item Number	
Tan		NG58.TN	
White		NG58.WT	



NG78.
 7/8" Plastic Nail Glide

CASE QTY	10M	WEIGHT/CASE	41 lbs
BOX QTY	5M		
Available Colors		Item Number	
Tan		NG78.TN	
White		NG78.WT	



FF
 False Front Catch Metal Clip and Front Dowel

CASE QTY	100
FFS11	False Front Dowel
FFC11	False Front Metal Clip



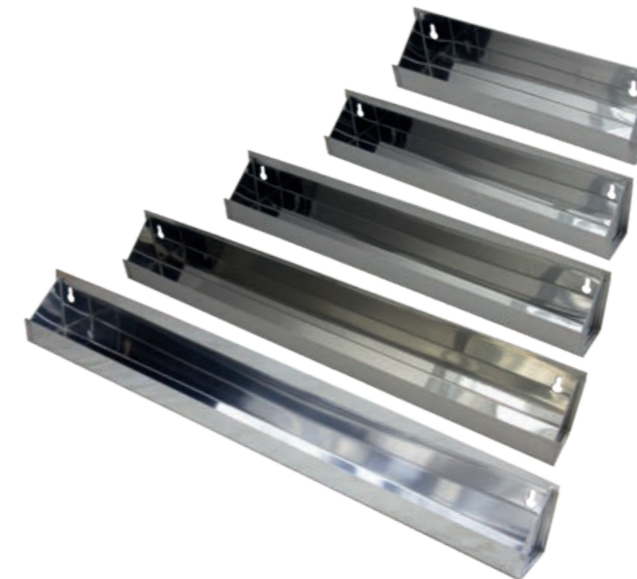
SWIVEL-17.AL
 Aluminum Swivel 17-3/8" 250 lbs Capacity

CASE QTY	10	WEIGHT/CASE	40 lbs
-----------------	----	--------------------	--------



PT10.BK
 Plastic Pencil Tray Black 5-1/2" x 12-3/4" x 1"

CASE QTY	100	WEIGHT/CASE	30 lbs
-----------------	-----	--------------------	--------



TRAY
 False Front Tray Stainless Steel

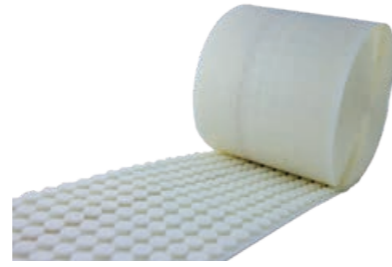
CASE QTY	10
Available Sizes	Item Number
11"	TRAY 11.SS
14"	TRAY 14.SS
16"	TRAY 16.SS
19"	TRAY 19.SS
22"	TRAY 22.SS
25"	TRAY 25.SS
28"	TRAY 28.SS



PRIDE INDUSTRIAL
DECORATIVE HARDWARE
FUNCTIONAL HARDWARE
& MORE

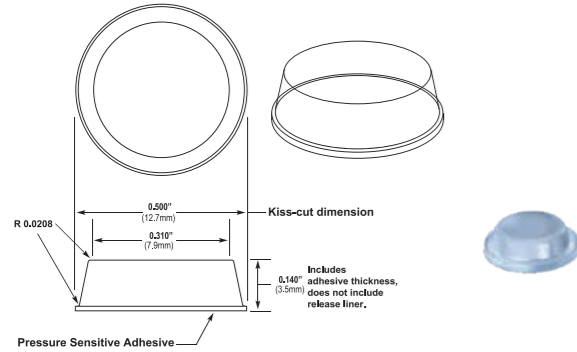


SW-16-40G
 16" Stretch Wrap 40 Gauge



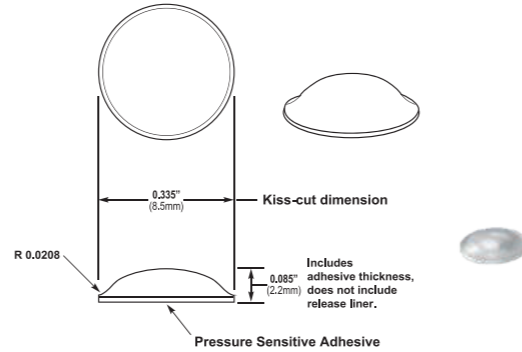
FP-1238
 3/8" Dia x 1/8" Thick Felt Pad

Available Sizes	Item Number	Item Number
Brown	FP-1238.BN	5M - Box
White	FP-1238.WT	5M - Box



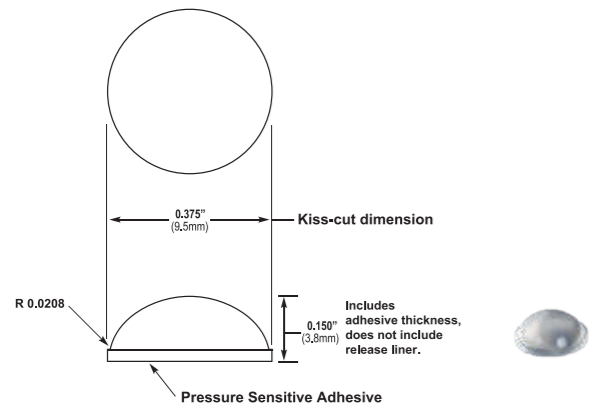
BS-1-SD-200-CLR
 1/2" Dia x 1/8" Thick Clear Bump-On

Sold per Box
 Per Box: (5M) 5,000 pieces - 25 sheets
 Per Sheet: 200 Pieces - 10 across x 20 down



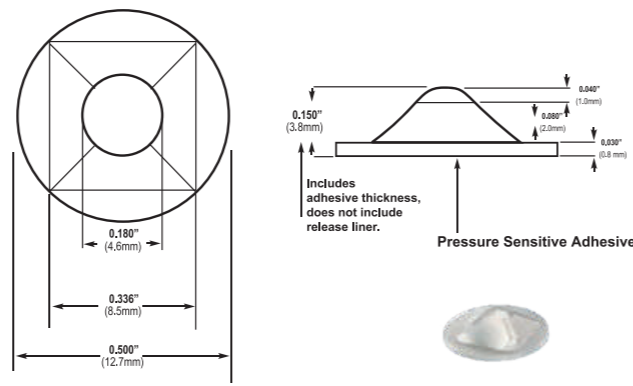
BS-7-SD-450-CLR
 3/8" Dia x 1/16" Thick Clear Bump-On

Sold per Box
 Per Box: (5.4M) 5,400 pieces - 12 sheets
 Per Sheet: 450 Pieces - 15 across x 30 down



BS-12-SD-288-CLR
 3/8" Dia x 1/8" Thick Clear Bump-On

Sold per Box
 Per Box: (7.2M) 7,200 pieces - 25 sheets
 Per Sheet: 288 Pieces - 12 across x 24 down



BS-33-SD-CLR
 1/2" Dia x 3/16" Thick Clear Bump-On

Sold per Box
 Per Box: (5M) 5,000 pieces - 25 sheets
 Per Sheet: 200 Pieces - 10 across x 20 down



PRIDE INDUSTRIAL
DECORATIVE HARDWARE
FUNCTIONAL HARDWARE
& MORE

PRODUCT INDEX

Symbols	4402.S-116	BUNN-6--95	CORBEL-M-10--84
96T00TQ-122	4403-116	BUNN-7--95	CORBEL-M-11--84
96T02TQ-122	4403-CAM-116	BUNN-8--96	CORBEL-M-13--75
96T20TQ-122	4411-8D-SC-116		CORBEL-M-14--75
96T22TQ-122	4411-SC-116	C	CORBEL-T-1--83
96T40TQ-122	4422-8D-SC-116		CORBEL-T-2--83
96T42TQ-122	4422-SC-116	C04-136	CORBEL-T-3--83
#633ACL-124	4433-8D-SC-116	C241-135	CORBEL-T-4--88
#633A.SO-128	4433-SC-116	C242-135	CORBEL-T-5--90
#633B.CL-124	4465-8D-SC-116	C250-135	CORBEL-T-7--86
#633CCL-124	4465-SC-116	C285.SB-135	CORBEL-T-8--86
#633C.SO-128	4600-104	C411-136	CR-50-71
#634A.CL-124	4600-BRKT-104	C509-135	CR-51-71
#634B.CL-124	4600-BRKTPI-104	C907-136	CR-52-71
#634C.CL-124	4600-BRKTPI-104	C927-136	CR-60-71
#649A.CL-124	4700-111	CB90-132	CR-62-71
#659A.CL-124	4800-105	CB94-132	CR-70-71
#659B.CL-125	4800-BRKT-105	CH-1003-70	CR-71-71
1000-107	4800-BRKTPI-105	CH-8363-70	CR-72-71
1000-R-BRKT-107	4800-BRKTPI10-105	CH-81160-70	CR-73-71
1000-U-BRKT-107	4800-BRKTPI10-105	CL40-140	CR-75-71
2000-111	4903-BRKT-103	CL50--141	CR-77-71
3000-112	4903-BRKTPI-103	CLK.0-127	CR-80-71
3050-112	4903-BRKTPI-103	CLK.OS-127	CR-81-71
3300-122	4903SKT-103	CLK.OSC-127	CRCS-58-72
3300CAM-SC-122	5000-107	CLK.2-127	CRCS-68-72
3300.S-122	5890-106	CLK.2S-127	CRCS-78-73
3302.S-122	7800-BRKT-100		CRCS-88-73
3303CAM-SC-122	7800-CLIPS-100	CORBEL-A-1--88	CRS-54-72
3303-SC-122	7800-EUBRKT-100	CORBEL-A-2--88	CRS-56-72
3306CAM-SC-122	8000-BRKT-99	CORBEL-A-3--88	CRS-64-72
3311-8D-SC-119	8000-CLIPS-99	CORBEL-A-4--87	CRS-66-72
3311-SC-119	8100-BRKT-99	CORBEL-A-5--89	CRS-74-73
3322-8D-SC-119	8800-CLIPS-98	CORBEL-A-6--89	CRS-76-73
3322-SC-119	33118DSC+3303CAM-SC-119	CORBEL-A-7--89	CRS-84-73
3333-8D-SC-119	33165-8D-SC-119	CORBEL-A-8--90	CRS-85-73
3333-SC-119	34118DSC+3303CAM-SC-121	CORBEL-A-9--90	CRS-86-73
3345-8D-SC-119		CORBEL-A-10--90	CRS-87-73
3390-8D-SC-119		CORBEL-A-11--90	CW-TY30-70
3400-108		CORBEL-A-15--75	
3411-121	A	CORBEL-B--85	
3411-8D-121	ADVANTAGE PRO-100	CORBEL-BW-1--89	E
3500-108		CORBEL-BW-4--90	
3500-BRKT-108	B	CORBEL-BW-5--89	EC-14-135
4000-109	B-3/4-133	CORBEL-C--85	EUSKT-1-L-110
4100-109	B101-144	CORBEL-D--85	EUSKT-1-R-110
4200-110	B103-144	CORBEL-E--85	EUSKT-2-L-110
4400-116	B850-144	CORBEL-G-5--87	EUSKT-2-R-110
4400-CAM-116	B46001-132	CORBEL-K--75	
4400-CAM.S-116	BKT-100-144	CORBEL-KL--75	
4400.S-116	BS--147	CORBEL-M-1--84	F
4401-116	BUNN-1--95	CORBEL-M-2--84	F-B-132
4401-CAM-116	BUNN-2--95	CORBEL-M-4--84	FCL.0-126
4402-116	BUNN-3--95	CORBEL-M-5--83	FCL.3-126
4402-CAM-116	BUNN-4--95	CORBEL-M-6--83	FCL.6-126
4402-CAM.S-116		CORBEL-M-7--83	FCLCAM.0-126
		CORBEL-M-8--86	FCLCAM.3-126
		CORBEL-M-9--86	



FCL.S.0-126	H296-D-130	K-83990-57	P-88-66
FCL.S.3-126	H297-130	K-83991-57	P-104-29
FCL.S.6-126	H297-D-130	K-86618-45	P-105-32
FF-145	H297-D-SC-130	K-91090-23	P-106-29
FIGURE 8-132	H297-SC-130	K-92230-13	P-107-29
FP-1238-147	H298-D-130	K-92430-13	P-108-29
	H298-D-SC-130	K-92925-21	P-108H-32
G	H650-137	K-93002-8	P-109-32
	H739-137	K-93122-12	P-110-30
GR22-143	H739-RP-137	K-94723-21	P-112-30
GR63-143 GR76-143	H740-113	K-94727-21	P-113-32
GR186-45-142	H760-113		P-114-30
GR187-51-142	H760-45-113	L	P-115-32
GR188-60-142	H780-113	L25.KA.-145	P-116-30
GR189-70-142	H2500-136	L35.KA.-145	P-118-30
GR190-80-142	HCAM280-D-SC-129	L45.KA.-145	P-119-32
GR1035-143	HCAM280-SC-129	LB--132	P-120-30
GR1350-40-142	HCAM634A.CL-124	LEG-1--96	P-122-31, 32
GR-82910-143	HCAM659A.CL-124	LEG-3--96	P-124-31, 32
GRE-71880003-143	HL300-140	LEG-4--96	P-126-31
		LEG-6--96	P-128-31, 32
H	K	LL--140	P-130-31
		LS18-131	P-133-32
H2CAM280-D-129	K-102-29, 32	LS24-131	P-0136-33
H2CAM280-D-SC-129	K-810-57	LS28-131	P-0146-33
H2CAM280-SC-129	K-910-56	LS32-131	P-0178-33
H25-137	K-910H-56	LV516-144	P-242-33
H30-D.CL-125	K-928-55		P-259-65
H45-D.CL-125	K-970-51	M	P-350-3-53
H51A.CL-125	K-971-51	MEGA PRO-101	P-353-54
H52A.CL-125	K-972-46	MP--132	P-354-54
H0054-137	K-1012-69		P-355-54
H0054M-137	K-1218-19, 27		P-356-54
H80-D.CL-125	K-1667-43	N	P-370-33
H90.CL-125	K-3910-59	NG12-146	P-396-54
H115-138	K-6030-59	NG34-146	P-433-64
H123-138	K-6361-58	NG58-146	P-675-63
H124-138	K-7141-57, 59	NG78-146	P-847-64
H130-138	K-8026-68		P-888-61
H145-138	K-53082-58		P-904-65
H250-D-129	K-80110-52	O	P-908-62
H254-D-129	K-80576-49	ONLAY-1-L--91	P-953-40
H258-D-129	K-80650-59	ONLAY-1-M--91	P-954-63
H260-129	K-80960-53	ONLAY-1-S--91	P-955-66
H275-129	K-80980-55	ONLAY-2-L--92	P-1011-69
H275.S-D-129	K-81021-58	ONLAY-2-M--92	P-1068H-32
H280-129	K-81091-28	ONLAY-2-S--92	P-1096-29
H280-D-129	K-81353-48	ONLAY-3-S--92	P-1096H-32
H280.S-D-129	K-81361-23		P-1700-69
H280.S-D-129	K-81784-47		P-1803-42
H294-129	K-82115-50	P	P-1806-42
H294-D-129	K-82142-68	P-50-160-38	P-1809-42
H294-D-SC-130	K-82393-67	P-50M-38	P-1812-42
H294-SC-130	K-82928-68	P-50S-38	P-1876-43
H295-130	K-82929-67	P-50SG-38	P-2278-61
H295-D-130	K-82980-58		P-3131-65
H295-D-SC-130	K-83125-25		P-3167-65
H295-SC-130			

P-4655-60	P-87227-26	POST-A-H--78	SRP-30-139
P-7166-61	P-87228-26	POST-B--79	SS01-1/4-133
P-8004-63	P-87229-26	POST-B-5X36--81	SS01-5MM-133
P-8065-60	P-87300-26	POST-B-42--79	SS20-5MM-133
P-8233-41	P-87328-26	POST-B-H--78	SS21-1/4-133
P-8731-60	P-88760-63	POST-C--79	SS21-5MM-133
P-21768-35	P-90396-39	POST-C-5X36--81	SS23-134
P-29255-38	P-91296-24	POST-C-5X42--82	SS35-134
P-72276-34	P-91297-24	POST-C-42--79	SS36-134
P-72277-34	P-91298-24	POST-C-H--78	SW-16-40G-147
P-72278-34	P-91496-22	POST-D--79	SWIVEL-17-145
P-80008-49	P-91497-22	POST-D-42--79	
P-80014-43	P-91498-22	POST-D-H--78	T
P-80215-44	P-92836-20	POST-E--80	
P-80281-52	P-92837-20	POST-E-42--80	TOCTQ-127
P-80289-53	P-92838-20	POST-E-H--78	T00TQ-127
P-80290-53	P-092910-62	POST-F-5X36--81	T02TQ-127
P-80572-25	P-92926-18	POST-G--80	T20TQ-127
P-80753-41	P-92927-18	POST-G-5X36--81	T22TQ-127
P-80814-62	P-92928-19	POST-G-5X42--82	T40TQ-127
P-80815-62	P-93096-14	POST-G-42--80	T42TQ-127
P-80846-44	P-93128-14	POST-G-H--78	TBS--87
P-80846.128-44	P-93160-15	POST-J--80	TBT--87
P-81092-28	P-94096-16	POST-K--76	TMLS-12-145
P-81145-61	P-94128-16	POST-K-5X42--76	TR-144
P-81235-36	P-94160-17	POST-M--80	TRAY-146
P-81297-47	P-94210-17	POST-M-5X36--81	
P-81366-46	P-95096-8	POST-M-5X42--82	
P-81393-67	P-95128-9	POST-M-42--80	
P-81456-35	P-95160-9	POST-M-H--79	
P-81458-35	P-96096-10	POST-S--77	
P-81541-37	P-96128-10	POST-S-5X42--77	
P-81572-25	P-96160-11	POST-T--80 POST-X--76	
P-81837-33	P-A012-60	POST-X-5X42--77	
P-81929-67	PB-9--93	PT10-145	
P-82034-36	PED-2-C--94		
P-82092-28	PED-2-L--94	R	
P-82103-36	PED-2-M--94		
P-82104-36	PED-2-R--94	R-8--93	
P-82106-36	PED-3-CR--94	R-1401-69	
P-82234-36	PED-3-L--94	R-1501-69	
P-82981-40	PED-3-M--94	R-1701-69	
P-83063-50	PED-3-R--94	RTA-134	
P-83092-28	PED-C--93	RTA-3-134	
P-83572-25	PED-CR--94		
P-86373-27	PED-L--93	S	
P-86374-27	PED-M--93	SHC-1-139	
P-86375-27	PED-R--93	SHC-2-139	
P-86718-45	PERFORM PRO 2X-99	SHP-21-139	
P-86765-48	PERFORM PRO 6X-98	SHS-6-139	
P-87140-26	PL100-140	SLO.0-128	
P-87215-37	POST-A--79	SLO.2-128	
P-87216-37	POST-A-5X36--81	SOFT PRO X-103	
P-87218-37	POST-A-5X42--82	SP-245-136	
P-87226-26	POST-A-42--79		



TERMS & CONDITIONS

All sales are expressly conditioned on Buyer's agreement to the terms and conditions set forth below. Any order or statement of intent to purchase goods, or any direction to proceed with procurement or shipment of goods, or any acceptance of or payment for goods shall constitute Buyer's agreement to those terms and conditions. No other representative of Seller is authorized to modify these terms and conditions, or to agree to any additional or different terms or conditions.

New Orders

All new orders must be submitted in writing. They can either be emailed to: sales@prideindustrial.com or faxed to 909-334-4377

Will Call

Pride Industrial requires a 3 hour window for will call orders. If an early pick-up is required, the order must be submitted and confirmed the day before the pick-up. If a truck or carrier will be picking up, please request an appointment to avoid delays.

Will Call hours are from 10:00 AM to 3:00 PM, Monday through Friday. Hours subject to change without notice.

Shipping

Unless otherwise noted on the purchase order, Pride Industrial reserves the right to choose the best shipping method and bill for freight charges.

Return Policy

- 1) For products without defect and or no error in order preparation/shipping on Pride's part, we can accept return:
- Within 24 hours with 0% restocking fee.
 - After 24 hours but within 9 days: 10% restocking fee.
 - After 9 days up to 90 days from purchase date: 20% restocking fee.
 - No return is accepted after 90 days.
 - All products for return must be in factory original packaging and be in resalable condition.
 - No returns will be accepted at Pride without a RMA attached to the return.
 - Freight will be prepaid by customer.

NOTE:

SPECIAL ORDER ITEMS MAY NOT BE RETURNED.

- 2) For products with possible defect and or error in order preparation/shipping on Pride's part:
- There will be no restocking fee.

- But return must be secured with RMA in order that is accepted for a credit or merchandise exchange.

- Original packaging must be relatively in good condition for a full credit, otherwise some fees may apply if new boxes must be purchased and products have to be repackaged.

Claims

Goods in transit travel at the risk of the purchaser. Damage and/or shortage must be noted upon receipt and be countersigned by the delivering carrier's agent. We will be pleased to furnish any information or assistance needed to establish a customer's claim against the carrier. Within 9 days after tender of, delivery to or receipt of any shipment and before any part of the material has been changed from its original condition, Buyer shall inform Seller in writing if the material is found defective or short in any respect. Seller is not liable for loss or damage in transit.

Responsibility

We assume no liability for damage to person or property caused by merchandise bought from us. All specifications and engineering information have been reproduced for our customer's convenience only. Pride Industrial shall not be liable for any special indirect, incidental or consequential damages, including (but not limited to) loss of profits or revenue; loss of use of the goods or related goods, damage or injury to the person or property of Buyer or others. The remedies of Buyer set forth herein are exclusive and Seller's liability on any claim for loss or damage arising out of the sale of goods or arising out of anything done in connection with such a sale, whether in contract or tort or under warranty or otherwise, shall not exceed the price of the product or part on which such liability is based.

Pride Industrial LLC 909-334-4388



AMERICANS WITH DISABILITIES ACT

ADA – Friendly

Many of the decorative pulls offered by Pride are designed with accessibility and ergonomics in mind. Collections that carry the ADA-Friendly designation feature the clearance necessary, based on the Dreyfus Human Factor Scale, to accommodate the hand of an average man. Our ADA-Friendly pulls are shaped for ease of grip and don't require tight grasping, pinching or twisting, as prescribed in Section 309.4 of the ADA Accessibility Guidelines (ADAAG)



PRIDE INDUSTRIAL
DECORATIVE HARDWARE
FUNCTIONAL HARDWARE
& MORE

WELCOME TO THE PRIDE

LOCATIONS

15221 FAIRFIELD RANCH ROAD
UNIT 120
CHINO HILLS, CA 91709

4653 LESTON STREET
SUITE 701
DALLAS, TX 75247

909-334-4388
WWW.PRIDEINDUSTRIAL.COM

ESTABLISHED IN 2005